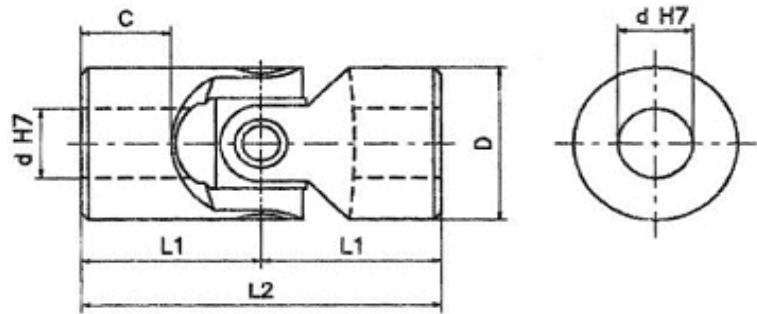


**Single Joint  
Plain Bearings  
Type UJSP in Steel**

UJSP Properties		Further bore types as below available on request	
Maximum working angle	45 degrees		
Maximum speed	1000 rpm		
Maximum power	6kW		
Maximum torque	600 Nm		
Higher power and torques are available using larger diameter or needle roller bearing joints : please enquire			
NB : It is recommended that all plain bearing joints should be used with a protective gaiter to assist lubrication and help arrest the ingress of dirt.			

Stock No	Bore d H7	Diameter D	Overall length L2	Pivot centre L1	Hub length C	Weight KG	Gaiter type
UJSP16X6	6	16	34	17	8	0.05	UJG01M16
UJSP16X8	8	16	40	20	11	0.05	UJG01M16
UJSP22X10	10	22	48	24	12	0.1	UJG03M22
UJSP25X12	12	25	56	28	13	0.16	UJG04M25
UJSP28X14	14	28	60	30	14	0.2	UJG05M28
UJSP32X16	16	32	68	34	16	0.3	UJG1M32
UJSP36X18	18	36	74	37	17	0.45	UJG2M36
UJSP42X20	20	42	82	41	18	0.6	UJG3M42
UJSP45X22	22	45	95	47.5	22	0.95	UJG4M45
UJSP50X25	25	50	108	54	26	1.2	UJG5M50

For further sizes please enquire  
 All dimensions in mm unless specified  
 If a dimension is critical to your application please contact our sales department for confirmation.  
 Please note : errors and omissions excepted.

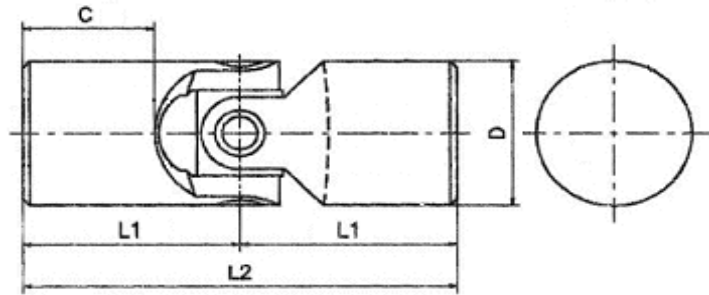


## Single Joint Needle Roller Bearings Type UJSN in Steel

UJSN Properties		Further bore types as below available on request	
Maximum working angle	45 degrees		
Maximum speed	4000 rpm		
Maximum power	40kW		
Maximum torque	200 Nm		
Higher power and torques are available using larger diameter or needle roller bearing joints : please enquire			
NB: Protective gaiters are unnecessary for most applications			

Stock No	Bore d H7	Diameter D	Overall length L2	Pivot centre L1	Hub length C	Weight KG
UJSN22X10	10	22	48	24	12	0.1
UJSN25X12	12	25	56	28	13	0.16
UJSN28X14	14	28	60	30	14	0.2
UJSN32X16	16	32	68	34	16	0.3
UJSN36X18	18	36	74	37	17	0.45
UJSN42X20	20	42	82	41	18	0.6
UJSN45X22	22	45	95	47.5	22	0.95
UJSN50X25	25	50	108	54	26	1.2

For further sizes please enquire  
 All dimensions in mm unless specified  
 If a dimension is critical to your application please contact our sales department for confirmation.  
 Please note : errors and omissions excepted.

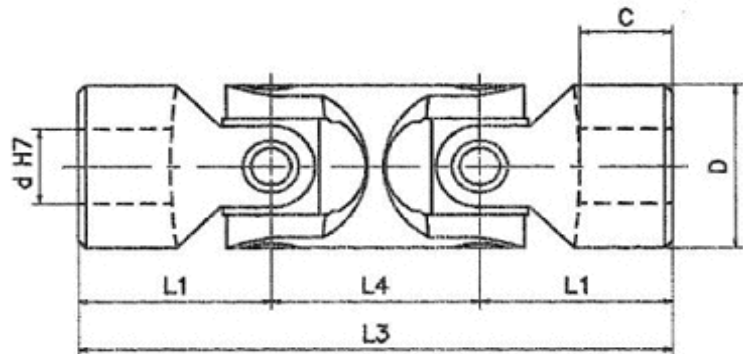


**Single Joint  
Plain Bearings  
UNBORED LONG  
Type UJSPL in Steel**

UJSPL Properties		Further bore types as below available on request	
Maximum working angle	45 degrees		
Maximum speed	1000 rpm		
Maximum power	6kW		
Maximum torque	600 Nm		
Higher power and torques are available using larger diameter or needle roller bearing joints : please enquire			
NB : It is recommended that all plain bearing joints should be used with a protective gaiter to assist lubrication and help arrest the ingress of dirt.			

Stock No	Bore	Diameter D	Overall length L2	Pivot centre L1	Hub length C	Weight KG	Gaiter type
UJSPL16XSOL	SOLID	16	56	28	19	-	UJG01M16
UJSPL22XSOL	SOLID	22	76	38	26	-	UJG03M22
UJSPL25XSOL	SOLID	25	86	43	28	-	UJG04M25
UJSPL28XSOL	SOLID	28	90	45	29	-	UJG05M28
UJSPL32XSOL	SOLID	32	95	47.5	29.5	-	UJG1M32
UJSPL36XSOL	SOLID	36	108	54	34	-	UJG2M36
UJSPL42XSOL	SOLID	42	127	63.5	40.5	-	UJG3M42
UJSPL45XSOL	SOLID	45	127	63.5	38	-	UJG4M45
UJSPL50XSOL	SOLID	50	140	70	42	-	UJG5M50
UJSPL58XSOL	SOLID	58	166	83	51	-	UJG5M58

For further sizes please enquire  
All dimensions in mm unless specified  
If a dimension is critical to your application please contact our sales department for confirmation.  
Please note : errors and omissions excepted.



## Double Joint Plain Bearings Type UJDP in Steel

UJDP Properties		Further bore types as below available on request
Maximum working angle	90 degrees	
Maximum speed	1000 rpm	
Maximum power	6kW	
Maximum torque	600 Nm	
Higher power and torques are available using larger diameter or needle roller bearing joints : please enquire		
NB : It is recommended that all plain bearing joints should be used with a protective gaiter to assist lubrication and help arrest the ingress of dirt.		

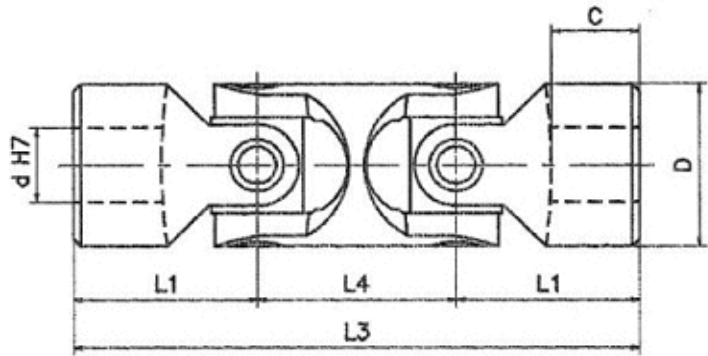
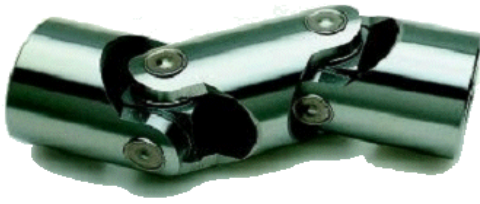
Stock No	Bore d H7	Diameter D	Overall length L3	Pivot to face centre L1	Pivot to pivot centre L4	Hub length C	Weight KG	Gaiter type
UJDP16X6	6	16	56	17	22	8	0.08	UJG01M16
UJDP16X8	8	16	62	20	22	11	0.08	UJG01M16
UJDP22X10	10	22	74	24	26	12	0.15	UJG03M22
UJDP25X12	12	25	86	28	30	13	0.25	UJG04M25
UJDP28X14	14	28	96	30	36	14	0.4	UJG05M28
UJDP32X16	16	32	104	34	36	16	0.45	UJG1M32
UJDP36X18	18	36	114	37	40	17	0.7	UJG2M36
UJDP42X20	20	42	128	41	46	18	1	UJG3M42
UJDP45X22	22	45	145	47.5	50	22	1.55	UJG4M45
UJDP50X25	25	50	163	54	55	26	2	UJG5M50

For further sizes please enquire

All dimensions in mm unless specified

If a dimension is critical to your application please contact our sales department for confirmation.

Please note : errors and omissions excepted.

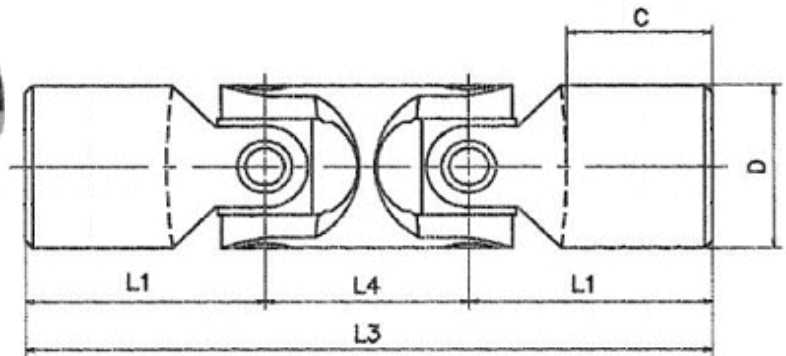
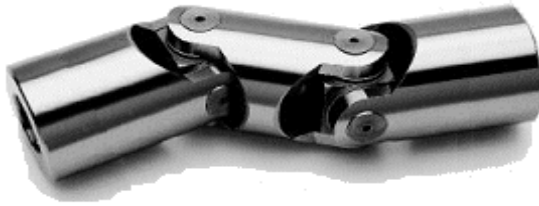


**Double Joint  
Needle Roller Bearings  
Type UJDN in Steel**

UJDN Properties		Further bore types as below available on request		
Maximum working angle	90 degrees			
Maximum speed	4000 rpm			
Maximum power	40kW			
Maximum torque	200 Nm			
Higher power and torques are available using larger diameter or needle roller bearing joints : please enquire				
NB: Protective gaiters are unnecessary for most applications				

Stock No	Bore d H7	Diameter D	Overall length L3	Pivot to face centre L1	Pivot to pivot centre L4	Hub length C	Weight KG
UJDN22X10	10	22	74	24	26	12	0.15
UJDN25X12	12	25	86	28	30	13	0.25
UJDN28X14	14	28	96	30	36	14	0.4
UJDN32X16	16	32	104	34	36	16	0.45
UJDN36X18	18	36	114	37	40	17	0.7
UJDN42X20	20	42	128	41	46	18	1
UJDN45X22	22	45	145	47.5	50	22	1.55
UJDN50X25	25	50	163	54	55	26	2

For further sizes please enquire  
All dimensions in mm unless specified  
If a dimension is critical to your application please contact our sales department for confirmation.  
Please note : errors and omissions excepted.

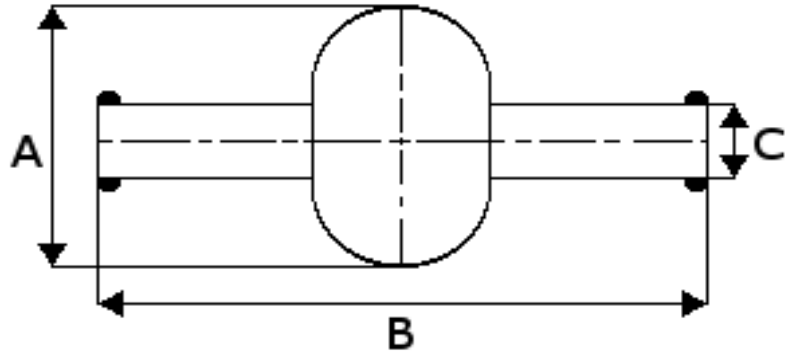


**Double Joint  
Plain Bearings  
UNBORED LONG  
Type UJDPL in Steel**

UJDPL Properties		Further bore types as below available on request	
Maximum working angle	90 degrees		
Maximum speed	1000 rpm		
Maximum power	6kW		
Maximum torque	600 Nm		
Higher power and torques are available using larger diameter or needle roller bearing joints : please enquire			
NB : It is recommended that all plain bearing joints should be used with a protective gaiter to assist lubrication and help arrest the ingress of dirt.			

Stock No	Bore	Diameter D	Overall length L2	Pivot centre L1	Pivot to pivot centre L4	Hub length C	Weight KG	Gaiter type
UJDPL16XSOL	SOLID	16	67	22.5	22	13.5	-	UJG01M16
UJDPL22XSOL	SOLID	22	115	44.5	26	32.5	-	UJG03M22
UJDPL25XSOL	SOLID	25	123	46.5	30	31.5	-	UJG04M25
UJDPL28XSOL	SOLID	28	130	47	36	31	-	UJG05M28
UJDPL32XSOL	SOLID	32	143	53	37	35	-	UJG1M32
UJDPL36XSOL	SOLID	36	155	57.5	40	37.5	-	UJG2M36
UJDPL42XSOL	SOLID	42	162	57.5	47	34.5	-	UJG3M42
UJDPL45XSOL	SOLID	45	173	61.5	50	36	-	UJG4M45
UJDPL50XSOL	SOLID	50	220	82.5	55	54.5	-	UJG5M50
UJDPL58XSOL	SOLID	58	245	88.5	68	55	-	UJG5M58

For further sizes please enquire  
 All dimensions in mm unless specified  
 If a dimension is critical to your application please contact our sales department for confirmation.  
 Please note : errors and omissions excepted.



## Protective Gaiters

### Type UJG in Polychloroprene Rubber

Stock No	Diameter A	Length B	Bore C	Joint Outside Diameter
UJG01M16	28	34	15	16
UJG02M18	32	40	16.5	18
UJG03M22	40	45	20.5	22
UJG04M25	48	50	24.5	25
UJG05M28	52	56	27.5	28
UJG1M32	56	65	30.5	32
UJG2M36	66	72	35.5	36
UJG3M42	75	82	40	42
UJG4M45	84	95	45	45
UJG5M50	92	108	50	50

For further sizes please enquire

All dimensions in mm unless specified

If a dimension is critical to your application please contact our sales department for confirmation.

Please note : errors and omissions excepted.