

TECHNICAL DATA SUMMARY	
Potential Capacity	15kW
Maximum Speed	40000 rpm
Maximum Linear Speed	80 m/s
Allowable Tensile Load $F_{zul}$	700N/10mm of belt width
Weight Per Meter	0.032kg/10mm of belt width



Standard Belt and Pulley Widths	
Standard belt widths b	10 12 16 20 25 32 50 75
Pulley face width B	15 17 21 25 30 37 55 80
Stock pulley width $B_N$	21 27 36

Profile/ length	No. of Teeth Z	Synchroflex		Breco M / V		Brecoflex	
		SS	DL	SS	DL	SS	DL
AT5/ 225	45	•				■	
AT5/ 255	51	•				■	
AT5/ 260	52	•					
AT5/ 280	56	•				■	
AT5/ 300	60	•					
AT5/ 305	61					■	
AT5/ 330	66	•					
AT5/ 340	68	•				■	
AT5/ 375	75	•					
AT5/ 390	78	•				■	
AT5/ 420	84	•				■	
AT5/ 450	90	•					
AT5/ 455	91	•				■	
AT5/ 480	96	•					
AT5/ 500	100	•				■	
AT5/ 525	105	•					
AT5/ 545	109	•				■	
AT5/ 600	120	•					
AT5/ 610	122	•				■	
AT5/ 620	124	•					
AT5/ 630	126	•					
AT5/ 660	132	•				■	
AT5/ 670	134	•					
AT5/ 710	142	•				■	
AT5/ 720	144	•					
AT5/ 750	150	•				■	
AT5/ 780	156	•				■	
AT5/ 825	165	•					
AT5/ 840	168					■	
AT5/ 855	171					■	
AT5/ 860	172	•					
AT5/ 900	180	•					
AT5/ 975	195	•					
AT5/ 990	198					■	
AT5/ 1020	204					■	
AT5/ 1050	210	•					

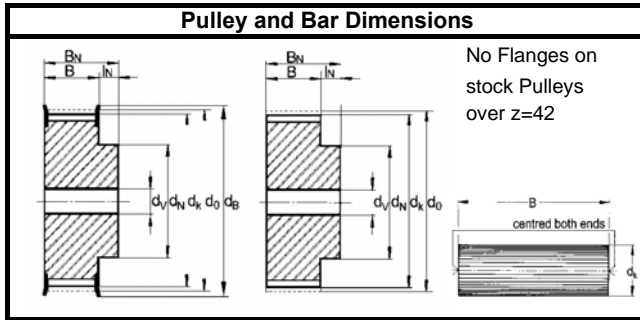
Any joined length available in pitch multiples from 600mm.  
Minimum quantities apply to belts of 6, 8 or 10mm width

Profile/ length	No. of Teeth Z	Synchroflex		Breco M / V		Brecoflex	
		SS	DL	SS	DL	SS	DL
AT5/ 1075	215					■	■
AT5/ 1100	220					■	■
AT5/ 1125	225	•					
AT5/ 1215	243					■	■
AT5/ 1380	276					■	■
AT5/ 1400	280					■	■
AT5/ 1500	300	•				■	■
AT5/ 1600	320					■	■
AT5/ 1700	340					■	■
AT5/ 1750	350	•					
AT5/ 1800	360					■	■
AT5/ 1900	380					■	■
AT5/ 2000	400	•				■	■
AT5/ 2120	424					■	■
AT5/ 2240	448					■	■
AT5/ 2360	472					■	■
AT5/ 2500	500					■	■
AT5/ 2650	530					■	■
AT5/ 2800	560					■	■
AT5/ 3000	600					■	■
AT5/ 3150	630					■	■
AT5/ 3350	670					■	■
AT5/ 3550	710					■	■
AT5/ 3750	750					■	■
AT5/ 4000	800					■	■
AT5/ 4250	850					■	■
AT5/ 4500	900					■	■
AT5/ 4750	950					■	■
AT5/ 5000	1000					■	■
AT5/ 5300	1060					■	■
AT5/ 5600	1120					■	■
AT5/ 6000	1200					■	■
AT5/ 6300	1260					■	■
AT5/ 6700	1340					■	■
AT5/ 7100	1420					■	■
AT5/ 7500	1500					■	■

**Belt Order Code Example**

Width	Profile	Length	Ordering Code
12	AT5	225	12AT5/225
20	AT5	2000	20AT5/2000

- FLEX=endless, M=open length, V=joined
- Standard belt length, normally held in stock
- Standard belt length, only available to special order
- \* Intermediate lengths available between 1050-15000mm only available to special order. Min quantity will apply



Reverse Bending		
Min roller and pulley Ø:	Zmin	Ø min
Standard cord	20	60
E tension cord	20	50
Reinforced cord	25	70
PAR backing	25	60

Normal Use		
Min roller and pulley Ø:	Zmin	Ø min
Standard cord	15	25
E tension cord	12	18
Reinforced cord	24	60
PAR backing	25	60

Pulley Width B <sub>N</sub>		Z no.	d <sub>0</sub>	d <sub>k</sub>	d <sub>B</sub> *	d <sub>N</sub>	bore size			
21	27	36	Bar	teeth	(mm)	(mm)	(mm)	(mm)	d <sub>v</sub>	d <sub>max</sub>
•	•	•		12	19.10	17.90	23	12†	4	6
				13	20.69	19.49	25			7
•	•	•		14	22.28	21.10	26	14	4	8
•	•	•		15	23.87	22.65	28	16	6	10
•	•	•		16	25.46	24.24	30	18	6	12
				17	27.06	25.84	31			14
•	•	•		18	28.65	27.43	33	20	6	16
•	•	•		19	30.24	29.02	34	22	6	16
•	•	•		20	31.89	30.61	36	24†	6	18
				21	33.42	32.20	37			20
•	•	•		22	35.01	33.79	39	24†	6	22
				23	36.61	35.39	40			24
•	•	•		24	38.20	36.98	42	26	6	24
•	•	•		25	39.79	38.57	43	26	6	25
•	•	•		26	41.38	40.16	45	26	6	25
•	•	•		27	42.97	41.75	47	30	8	27
•	•	•		28	44.56	43.34	48	32	8	29
				29	46.15	44.93	50			31
•	•	•		30	47.75	46.53	51	34	8	33
				31	49.34	48.12	53			35
•	•	•		32	50.93	49.71	55	38	8	37
				33	52.52	51.30	56			39
				34	54.11	52.89	58			39
				35	55.70	54.48	59			40
•	•	•		36	57.30	56.08	61	38	8	42
				37	58.89	57.67	62			43
				38	60.48	59.26	64			45
				39	62.07	60.85	66			45
•	•	•		40	63.66	62.44	67	40	8	47
				41	65.25	64.03	69			48
•	•	•		42	66.85	65.63	70	40	8	50
				43	68.44	67.22	72			52
•	•	•		44	70.03	68.81	74	50†	8	52
				45	71.62	70.40	75			54
				46	73.21	71.99	77			56
				47	74.80	73.58	78			58

Pulley Width B <sub>N</sub>		Z no.	d <sub>0</sub>	d <sub>k</sub>	d <sub>B</sub> *	d <sub>N</sub>	bore size			
21	27	36	Bar	teeth	(mm)	(mm)	(mm)	(mm)	d <sub>v</sub>	d <sub>max</sub>
•	•	•		48	76.39	75.17	80	50	8	60
				49	77.99	76.77	82			60
				50	79.58	78.36	83			60
				51	81.17	79.95	85			62
				52	82.76	81.54	86			64
				53	84.35	83.13	88			66
				54	85.94	84.72	90			66
				55	87.54	86.32	91			68
				56	89.13	87.91	93			70
				57	90.72	89.50	94			72
				58	92.31	91.09	96			74
				59	93.90	92.68	97			74
•	•	•		60	95.49	97.27	99	65	8	76
				61	97.08	95.86	101			79
				62	98.68	97.46	102			80
				63	100.27	99.05	104			82
				64	101.86	100.60	105			82
				65	103.45	102.23	107			84
				66	105.04	103.82	109			86
				67	106.63	105.41	110			88
				68	108.23	107.01	112			90
				69	109.82	108.60	113			90
				70	111.41	110.19	115			90
				71	113.00	111.78	117			92
•	•	•		72	114.59	113.37	118	80	8	94
				73	116.18	114.96	120			96
				74	117.77	116.55	121			96
				75	119.37	118.15	123			98
				76	120.96	119.74	125			100
				77	122.55	121.33	126			102
				78	124.14	122.92	128			104
				79	125.73	124.51	129			104
				80	127.32	126.10	131			106
				81	128.92	127.70	133			108
				82	130.51	129.29	134			110
				83	132.10	130.88	136			110

For Pulleys with 84-109 teeth turn to page 6

• Available from stock in Aluminium. Preferred sizes shaded red.

Non Stock sizes available to order

Pulley Order Code Example

Pulley	Width	Type	Teeth	Flanges	Order Code
AL	27	AT5	15	2	AL27AT5/15.2

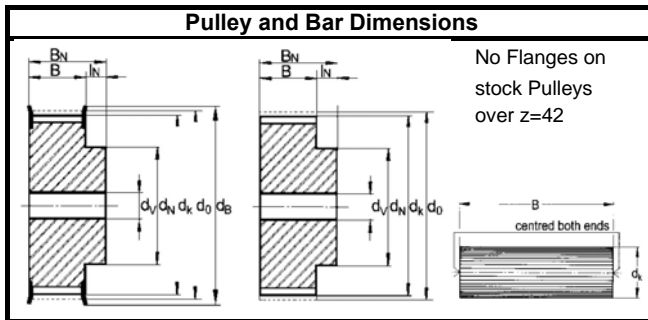
d<sub>0</sub> = Pitch circle diameter

d<sub>k</sub> = Outside diameter

d<sub>N</sub> = Hub Diameter († variable)

d<sub>v</sub>/d<sub>max</sub> = Stock Pulley bore diameter / max. bore

d<sub>B</sub> = Flange diameter (\*approximate)



Reverse Bending		
	Min roller and pulley Ø:	Zmin Ø min
	Standard cord	20 60
	E tension cord	20 50
	Reinforced cord	25 70
	PAR backing	25 60

Normal Use		
	Min roller and pulley Ø:	Zmin Ø min
	Standard cord	15 25
	E tension cord	12 18
	Reinforced cord	24 60
	PAR backing	25 60

Pulley Width B <sub>N</sub>		Z no.	d <sub>0</sub>	d <sub>k</sub>	d <sub>B</sub> *	d <sub>N</sub>	bore size		
21	27	36	Bar	teeth	(mm)	(mm)	(mm)	d <sub>v</sub>	d <sub>max</sub>
				84	133.69	132.47	137		112
				85	135.28	134.06	139		114
				86	136.87	135.65	140		116
				87	138.46	137.24	142		119
				88	140.06	138.84	144		119
				89	141.65	140.43	145		120
				90	143.24	142.02	147		120
				91	144.83	143.61	148		122
				92	146.42	145.20	150		124
				93	148.01	146.79	152		126
				94	149.61	148.39	153		126
				95	151.20	149.98	155		129
				96	152.79	151.57	156		130
				97	154.38	153.16	158		130
				98	155.97	154.75	160		132
				99	157.56	156.34	161		132
				100	159.15	157.93	163		134
				101	160.75	159.53	164		136
				102	162.34	161.12	166		139
				103	163.93	162.71	168		140
				104	165.52	164.30	169		140
				105	167.11	165.89	171		140
				106	168.70	167.48	172		142
				107	170.30	169.08	174		146
				108	171.89	170.67	176		146
				109	173.48	172.26	177		148

• Available from stock in Aluminium. Preferred sizes shaded red.

Non Stock sizes available to order

Pulley Order Code Example

Pulley	Width	Type	Teeth	Flanges	Order Code
AL	27	AT5	15	2	AL27AT5/15.2

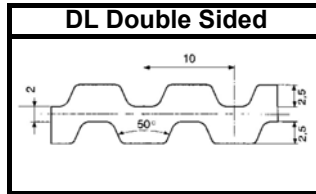
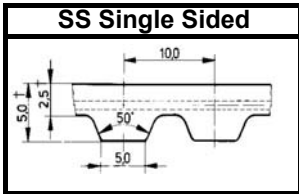
d<sub>0</sub> = Pitch circle diameter

d<sub>k</sub> = Outside diameter

d<sub>N</sub> = Hub Diameter († variable)

d<sub>v</sub>/d<sub>max</sub> = Stock Pulley bore diameter / max. bore

d<sub>B</sub> = Flange diameter (\*approximate)



† 4.5mm and 2mm on Breco belts

### Availability



### TECHNICAL DATA SUMMARY

Potential Capacity	70kW
Maximum Speed	15000 rpm
Maximum Linear Speed	60 m/s
Allowable Tensile Load $F_{zul}$	1400N/10mm of belt width
Weight Per Meter	0.063kg/10mm of belt width

### Standard Belt and Pulley Widths

Standard belt widths b	16 25 32 50 75 100 150
Pulley face width B	21 30 37 56 81 106 156
Stock pulley width $B_N$	31 40 47 66

Profile/ length	No. of Teeth Z	Synchroflex		Breco M / V		Brecoflex	
		SS	DL	SS	DL	SS	DL
AT10/ 400	40					■	
AT10/ 500	50	●				■	
AT10/ 530	53					■	
AT10/ 560	56	●				■	
AT10/ 580	58	●					
AT10/ 600	60	●					
AT10/ 610	61	●				■	
AT10/ 630	63					■	
AT10/ 660	66	●				■	
AT10/ 700	70	●				■	
AT10/ 720	72					■	
AT10/ 730	73	●					
AT10/ 780	78	●				■	
AT10/ 800	80	●					
AT10/ 810	81					■	
AT10/ 840	84	●				■	
AT10/ 880	88					■	
AT10/ 890	89	●				■	
AT10/ 920	92	●				■	
AT10/ 960	96	●				■	
AT10/ 970	97					■	
AT10/ 980	98	●				■	
AT10/ 1000	100	●					
AT10/ 1010	101	●				■	
AT10/ 1050	105	●				■	
AT10/ 1080	108	●				■	
AT10/ 1100	110	●					
AT10/ 1150	115	●				■	■
AT10/ 1200	120	●					
AT10/ 1210	121	●				■	■
AT10/ 1240	124					■	■
AT10/ 1250	125	●					
AT10/ 1280	128	●					
AT10/ 1300	130	●					
AT10/ 1320	132	●				■	■
AT10/ 1350	135	●					
AT10/ 1360	136	●					

Any joined length available in pitch multiples from 700mm.  
Minimum quantities apply to belts of 10, 12 or 16mm width

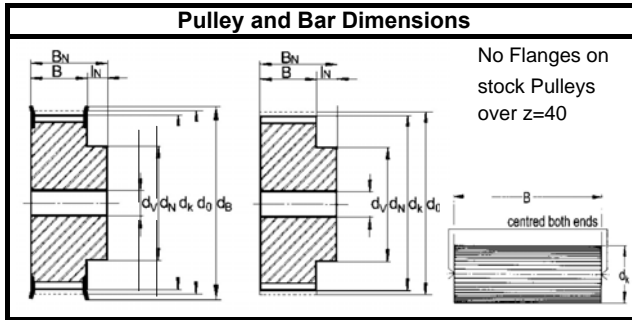
Profile/ length	No. of Teeth Z	Synchroflex		Breco M / V		Brecoflex	
		SS	DL	SS	DL	SS	DL
AT10/ 1400	140	●				■	■
AT10/ 1480	148	●					
AT10/ 1500	150	●				■	■
AT10/ 1600	160	●				■	■
AT10/ 1700	170	●				■	■
AT10/ 1720	172	●					
AT10/ 1800	180	●				■	■
AT10/ 1860	186	●					
AT10/ 1900	190					■	■
AT10/ 1940	194	●					
AT10/ 2000	200					■	■
AT10/ 2120	212					■	■
AT10/ 2240	224					■	■
AT10/ 2360	236					■	■
AT10/ 2500	250					■	■
AT10/ 2650	265					■	■
AT10/ 2800	280					■	■
AT10/ 3000	300					■	■
AT10/ 3150	315					■	■
AT10/ 3350	335					■	■
AT10/ 3550	355					■	■
AT10/ 3750	375					■	■
AT10/ 4000	400					■	■
AT10/ 4250	425					■	■
AT10/ 4500	450					■	■
AT10/ 4750	475					■	■
AT10/ 5000	500					■	■
AT10/ 5300	530					■	■
AT10/ 5600	560					■	■
AT10/ 6000	600					■	■
AT10/ 6300	630					■	■
AT10/ 6700	670					■	■
AT10/ 7100	710					■	■
AT10/ 7500	750					■	■
AT10/ 8000	800					■	■
AT10/ 9000	900					■	■

### Belt Order Code Example

Width	Profile	Length	Ordering Code
16	AT10	400	16AT10/400
75	AT10	9000	75AT10/9000

FLEX=endless, M=open length, V=joined

- Standard belt length, normally held in stock
- Standard belt length, only available to special order
- \* Intermediate lengths available between 1050-22000mm only available to special order. Min quantity will apply



**Reverse Bending**

Min roller and pulley Ø:	Zmin	Ø min
Standard cord	25	120
E tension cord	20	80
Reinforced cord	24	80
PAR backing	25	120

**Normal Use**

Min roller and pulley Ø:	Zmin	Ø min
Standard cord	15	50
E tension cord	12	50
Reinforced cord	24	120
PAR backing	25	80

Pulley Width B <sub>N</sub>	Z no.	d <sub>0</sub>	d <sub>k</sub>	d <sub>B</sub> *	d <sub>N</sub>	bore size	
31 40 47 66	Bar teeth	(mm)	(mm)	(mm)	(mm)	d <sub>v</sub>	d <sub>max</sub>
	12	38.20	36.43	42			24
	13	41.38	39.61	44			26
	14	44.56	42.79	48			30
• • •	15	47.75	45.98	51	32	8	34
• •	16	50.93	49.10	55	35	8	36
	17	54.11	52.30	58			40
• • • •	18	57.30	55.45	61	40	8	44
• • • •	19	60.48	58.65	64	44	8	46
• • • •	20	63.66	61.80	67	46	8	50
	21	66.85	65.00	70			52
• • • •	22	70.03	68.20	74	50†	8	56
	23	73.21	71.40	76			60
• • • •	24	76.39	74.55	80	58	8	62
• • • •	25	79.58	77.75	82	60	8	66
• • • •	26	82.76	80.90	86	60	8	68
• • • •	27	85.94	84.10	90	60	8	72
• • • •	28	89.13	87.30	93	60	8	74
	29	92.31	90.45	96			78
• • • •	30	98.49	93.65	99	60	8	82
	31	98.68	96.85	102			84
• • • •	32	101.86	100.00	105	65	10	88
	33	105.04	103.20	109			88
	34	108.23	106.40	112			92
	35	111.41	109.60	115			96
• • • •	36	114.59	112.75	118	70	10	98
	37	117.77	115.95	121			101
	38	120.96	119.10	125			104
	39	124.14	122.30	128			106
• • • •	40	127.32	125.50	131	80	10	110
	41	130.51	128.70	134			110
	42	133.69	131.85	137			112
	43	136.87	135.05	140			114
• • • •	44	140.06	138.20	144	90†	16	118
	45	143.24	141.40	147			120
	46	146.42	144.60	150			122
	47	149.61	147.80	153			122

Pulley Width B <sub>N</sub>	Z no.	d <sub>0</sub>	d <sub>k</sub>	d <sub>B</sub> *	d <sub>N</sub>	bore size	
31 40 47 66	Bar teeth	(mm)	(mm)	(mm)	(mm)	d <sub>v</sub>	d <sub>max</sub>
• • • •	48	152.79	150.95	156	95	16	124
	49	155.97	154.15	160			126
	50	159.15	157.30	162			130
	51	162.34	160.50	166			134
	52	165.52	163.70	169			136
	53	168.70	166.85	172			140
	54	171.89	170.05	176			144
	55	175.07	173.25	178			146
	56	178.25	176.40	182			150
	57	181.44	179.60	185			152
	58	184.62	182.80	188			156
	59	187.80	185.95	191			160
• • • •	60	190.99	189.15	195	110	16	162
	61	194.17	192.35	198			164
	62	197.35	195.50	201			166
	63	200.54	198.70	204			170
	64	203.72	201.90	207			171
	65	206.90	205.05	210			174
	66	210.08	208.25	214			175
	67	213.27	211.45	217			177
	68	216.45	214.60	220			181
	69	219.63	217.80	223			185
	70	222.82	221.00	226			187
	71	226.00	224.15	230			191
	72	229.18	227.35	232			193
	73	232.37	230.55	236			197
	74	235.55	233.70	239			201
	75	238.73	236.90	242			203
	76	241.92	240.10	245			207
	77	245.10	243.25	248			209
	78	248.28	246.45	252			213
	79	251.46	249.60	255			215
	80	254.65	252.80	258			219
	81	257.83	256.00	261			223
	82	261.01	259.20	265			225
	83	264.20	262.35	268			229

For pulleys with 84-109 teeth turn to page 9

• Available from stock in Aluminium. Preferred sizes shaded red.

Non Stock sizes available to order

Pulley Order Code Example

Pulley	Width	Type	Teeth	Flanges	Order Code
AL	31	AT10	15	2	AL31AT10/15.2

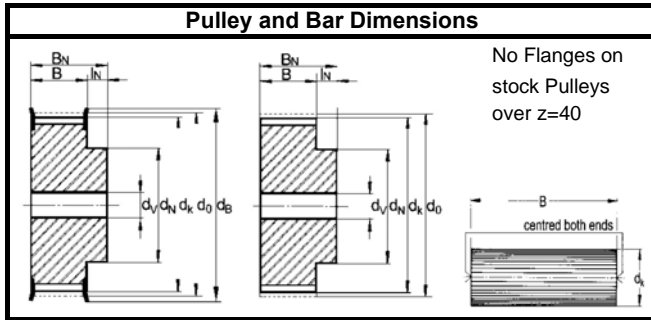
d<sub>0</sub> = Pitch circle diameter

d<sub>k</sub> = Outside diameter

d<sub>N</sub> = Hub Diameter († variable)

d<sub>v</sub>/d<sub>max</sub> = Stock Pulley bore diameter / max. bore

d<sub>B</sub> = Flange diameter (\*approximate)



Reverse Bending			
	Min roller and pulley Ø: Zmin	Ø min	
	Standard cord	25	120
	E tension cord	20	80
	Reinforced cord	24	80
	PAR backing	25	120

Normal Use			
	Min roller and pulley Ø: Zmin	Ø min	
	Standard cord	15	50
	E tension cord	12	50
	Reinforced cord	24	120
	PAR backing	25	80

Pulley Width B <sub>N</sub>	Z no.	d <sub>0</sub>	d <sub>k</sub>	d <sub>B</sub> *	d <sub>N</sub>	bore size
31 40 47 66 Bar	teeth	(mm)	(mm)	(mm)	(mm)	d <sub>v</sub> d <sub>max</sub>
	84	267.38	265.55	271		231
	85	270.56	268.70	274		235
	86	273.75	271.90	277		239
	87	276.93	275.10	280		241
	88	280.11	278.25	284		245
	89	283.30	281.45	287		247
	90	286.48	284.65	290		251
	91	289.66	287.80	293		255
	92	292.85	291.00	296		257
	93	296.03	294.20	300		261
	94	299.32	297.35	302		263
	95	302.39	300.55	306		267
	96	305.58	303.75	309		269
	97	308.76	306.90	312		273
	98	311.94	310.10	315		279
	99	315.13	313.30	318		283
	100	318.31	316.45	322		285
	101	321.49	319.65	325		289
	102	324.68	322.80	328		293
	103	327.86	326.00	332		295
	104	331.04	329.20	335		299
	105	334.23	332.35	338		301
	106	337.41	335.55	341		305
	107	340.59	338.75	344		309
	108	343.77	341.98	347		311
	109	346.96	345.10	351		315

• Available from stock in Aluminium. Preferred sizes shaded red.

Non Stock sizes available to order

Pulley Order Code Example

Pulley	Width	Type	Teeth	Flanges	Order Code
AL	31	AT10	15	<u>2</u>	AL31AT10/15.2

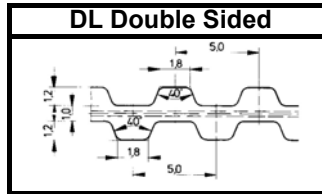
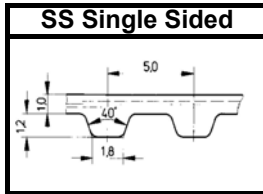
d<sub>0</sub> = Pitch circle diameter

d<sub>k</sub> = Outside diameter

d<sub>N</sub> = Hub Diameter († variable)

d<sub>v</sub>/d<sub>max</sub> = Stock Pulley bore diameter / max. bore

d<sub>B</sub> = Flange diameter (\*approximate)



TECHNICAL DATA SUMMARY	
Potential Capacity	5kW
Maximum Speed	40000 rpm
Maximum Linear Speed	80 m/s
Allowable Tensile Load $F_{zul}$	350N/10mm of belt width
Weight Per Meter	0.024kg/10mm of belt width



Standard Belt and Pulley Widths	
Standard belt widths b	6 10 12 16 20 25 32 50 75
Pulley face width B	11 15 17 21 25 30 37 55 80
Stock pulley width $B_N$	21 27 36

Profile/length	No. of Teeth Z	Sychroflex		Breco M / V		Brecoflex	
		SS	DL	SS	DL	SS	DL
T5/ 100	20	•					
T5/ 150	30	•	•				
T5/ 165	33	•					
T5/ 180	36	•					
T5/ 185	37	•					
T5/ 200	40	•				■	
T5/ 210	42	•					
T5/ 215	43	•				■	
T5/ 220	44	•				■	
T5/ 225	45	•				■	
T5/ 240	48	•				■	
T5/ 245	49	•				■	
T5/ 250	50	•				■	
T5/ 255	51	•				■	
T5/ 260	52	•	•			■	
T5/ 270	54	•				■	
T5/ 280	56	•				■	
T5/ 295	59	•				■	
T5/ 300	60	•	•			■	
T5/ 305	61	•				■	
T5/ 330	66	•				■	
T5/ 340	68	•				■	
T5/ 355	71	•				■	
T5/ 365	73	•				■	
T5/ 370	74	•				■	
T5/ 390	78	•				■	
T5/ 400	80	•				■	
T5/ 410	82	•	•			■	
T5/ 420	84	•				■	
T5/ 435	87	•				■	
T5/ 455	91	•				■	
T5/ 460	92	•	•			■	
T5/ 480	96	•				■	

Profile/length	No. of Teeth Z	Sychroflex		Breco M / V		Brecoflex	
		SS	DL	SS	DL	SS	DL
T5/ 500	100	•					■
T5/ 505	101	•					
T5/ 510	102	•					■
T5/ 515	103		•				
T5/ 525	105	•	•				■
T5/ 545	109	•					■
T5/ 550	110	•					
T5/ 560	112	•					■
T5/ 575	115	•					■
T5/ 590	118	•	•				
T5/ 610	122	•					■
T5/ 620	124	•	•				■
T5/ 625	125		•				
T5/ 630	126	•					■
T5/ 650	130	•					
T5/ 660	132						■
T5/ 690	138	•					■
T5/ 700	140	•					
T5/ 720	144	•					■
T5/ 725	145	•					
T5/ 750	150	•	•				■
T5/ 755	151						■
T5/ 765	153	•					■
T5/ 780	156	•					■
T5/ 800	160	•					■
T5/ 815	163	•	•				■
T5/ 840	168	•					■
T5/ 860	172		•				
T5/ 900	180	•					■
T5/ 920	184	•					
T5/ 925	185	•					
T5/ 940	188	•	•				
T5/ 945	189						■
T5/ 990	198	•					■
T5/ 1040	208						■
T5/ 1075	215	•					■

Any joined length available in pitch multiples from 500mm.  
Minimum quantities apply to belts of 6, 8, 10, 12 or 16mm width  
Minimum length 650mm  
minimum quantity as per SS

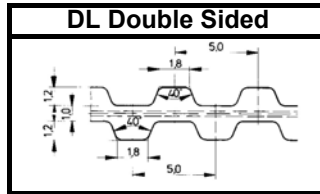
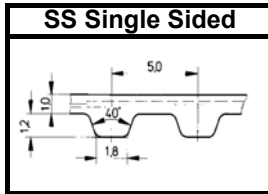
Belt Order Code Example

Width	Profile	Length	Ordering Code
6	T5	225	6 T5/225
20	T5	2000	20 T5/2000

For belts with 220-1500 teeth turn to page 11

FLEX=endless, M=open length, V=joined

- Standard belt length, normally held in stock
- Standard belt length, only available to special order
- \* Intermediate lengths available between 1050-15000mm only available to special order. Min quantity will apply



TECHNICAL DATA SUMMARY	
Potential Capacity	5kW
Maximum Speed	40000 rpm
Maximum Linear Speed	80 m/s
Allowable Tensile Load $F_{zul}$	350N/10mm of belt width
Weight Per Meter	0.024kg/10mm of belt width



Standard Belt and Pulley Widths	
Standard belt widths b	6 10 12 16 20 25 32 50 75
Pulley face width B	11 15 17 21 25 30 37 55 80
Stock pulley width $B_N$	21 27 36

Profile/ length	No. of Teeth Z	Sychroflex		Breco M / V		Brecoflex	
		SS	DL	SS	DL	SS	DL
T5/ 1100	220	•	•			■	■
T5/ 1160	232	•					
T5/ 1215	243	•				■	■
T5/ 1315	263	•					
T5/ 1325	265		•				
T5/ 1380	276	•				■	■
T5/ 1400	280					■	■
T5/ 1500	300	•				■	■
T5/ 1600	320					■	■
T5/ 1700	340					■	■
T5/ 1800	360					■	■
T5/ 1900	380					■	■
T5/ 2000	400					■	■
T5/ 2120	424					■	■
T5/ 2240	448					■	■
T5/ 2360	472					■	■
T5/ 2500	500					■	■
T5/ 2650	530					■	■
T5/ 2800	560					■	■
T5/ 3000	600					■	■
T5/ 3150	630					■	■
T5/ 3350	670					■	■
T5/ 3550	710					■	■
T5/ 3750	750					■	■
T5/ 4000	800					■	■
T5/ 4250	850					■	■
T5/ 4500	900					■	■
T5/ 4750	950					■	■
T5/ 5000	1000					■	■
T5/ 5300	1060					■	■
T5/ 5600	1120					■	■
T5/ 6000	1200					■	■
T5/ 6300	1260					■	■
T5/ 6700	1340					■	■
T5/ 7100	1420					■	■
T5/ 7500	1500					■	■

Any joined length available in pitch multiples from 500mm.  
 Minimum quantities apply to belts of 6, 8, 10, 12 or 16mm width  
 Minimum length 650mm  
 minimum quantity as per SS

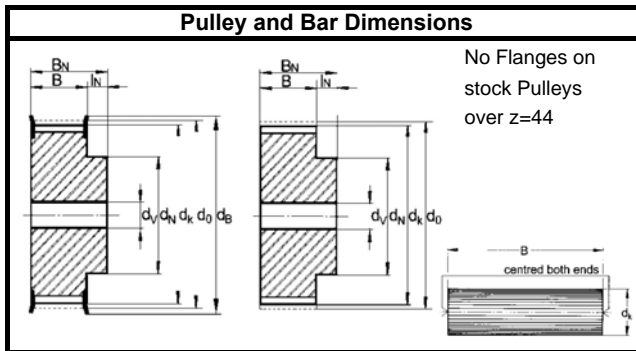
**Belt Order Code Example**

Width	Profile	Length	Ordering Code
6	T5	225	6T5/225
20	T5	2000	20T5/2000

FLEX=endless, M=open length, V=joined

- Standard belt length, normally held in stock
- Standard belt length, only available to special order
- \* Intermediate lengths available between 1050-15000mm only available to special order. Min quantity will apply





Pulley Width B <sub>N</sub>			Z no.	d <sub>0</sub>	d <sub>k</sub>	d <sub>B</sub> *	d <sub>N</sub>	bore size		
21	27	36	Bar teeth	(mm)	(mm)	(mm)	(mm)	d <sub>v</sub>	d <sub>max</sub>	
•	•	•	125	10	15.92	15.05	20	8	-	6
			125	11	17.51	16.65	22			6
•	•	•	125	12	19.10	18.25	23	12†	-	6
			125	13	20.69	19.85	25			8
•	•	•	132	14	22.28	21.45	26	14	-	8
•	•	•	132	15	23.87	23.05	28	16	6	10
•	•	•	140	16	25.46	24.60	30	18	6	12
			140	17	27.06	26.20	31			14
•	•	•	140	18	28.67	27.80	33	20	6	16
•	•	•	140	19	30.24	29.40	34	22	6	16
•	•	•	140	20	31.83	31.00	36	24†	6	18
			160	21	33.42	32.60	37			20
•	•	•	160	22	35.01	34.15	39	24	6	22
			160	23	36.61	35.75	40			24
•	•	•	160	24	38.20	37.35	42	26	6	24
•	•	•	160	25	39.79	38.95	43	26	6	25
•	•	•	160	26	41.38	40.55	45	26	6	25
•	•	•	160	27	42.97	42.15	47	30	8	27
•	•	•	160	28	44.56	43.75	48	32	8	29
			160	29	46.15	45.30	50			31
•	•	•	160	30	47.75	46.90	51	34	8	33
				31	49.34	48.50	53			35
•	•	•	160	32	50.93	50.10	55	38	8	37
				33	52.52	51.70	56			39
			160	34	54.11	53.30	58			39
			160	35	55.70	54.85	59			40
•	•	•	160	36	57.30	56.45	61	38	8	42
				37	58.89	58.05	62			43
			160	38	60.48	59.65	64			45
				39	62.07	61.25	66			45
•	•	•	160	40	63.66	62.85	67	40	8	47
				41	65.25	64.40	69			48
•	•	•	160	42	66.85	66.00	70	40	8	50
				43	68.44	67.60	72			52
•	•	•	160	44	70.03	69.20	74	45	8	52

<b>Reverse Bending</b>										
		Min roller and pulley Ø:		Zmin	Ø min					
		Standard cord		15	30					
		E tension cord		12	18					
		Reinforced cord		*	*					
		PAR backing		25	40					
* Please consult our sales department										
<b>Normal Use</b>										
		Min roller and pulley Ø:		Zmin	Ø min					
		Standard cord		10	30					
		E tension cord		10	18					
		Reinforced cord		*	*					
		PAR backing		25	40					
* Please consult our sales department										
Pulley Width B <sub>N</sub> Z no. d <sub>0</sub> d <sub>k</sub> d <sub>B</sub> * d <sub>N</sub> bore size										
21	27	36	Bar teeth	(mm)	(mm)	(mm)	(mm)	d <sub>v</sub>	d <sub>max</sub>	
			160	45	71.62	70.80	75			54
			160	46	73.21	72.40	77			56
				47	74.80	73.95	78			58
•	•	•	160	48	76.39	75.55	80	50	8	60
				49	77.99	77.15	82			60
			160	50	79.58	78.75	83			60
				51	81.17	80.35	85			62
				52	82.76	81.95	86			64
				53	84.35	83.55	88			66
				54	85.94	85.10	90			66
				55	87.54	86.70	91			68
				56	89.13	88.30	93			70
				57	90.72	89.90	94			72
				58	92.31	91.50	96			74
				59	93.90	93.10	97			74
•	•	•	160	60	95.49	94.65	99	65	8	76
				61	97.08	96.25	101			79
				62	98.68	97.85	102			80
				63	100.27	99.45	104			82
				64	101.86	101.05	105			82
				65	103.45	102.65	107			84
				66	105.04	104.20	109			86
				67	106.63	105.80	110			88
				68	108.23	107.40	112			90
				69	109.82	109.00	113			90
				70	111.41	110.60	115			90
				71	113.00	112.20	117			92
			160	72	114.59	113.75	118			94
				73	116.18	115.35	120			96
				74	117.77	116.95	121			96
				75	119.37	118.55	123			98
				76	120.96	120.15	125			100
				77	122.55	121.75	126			102
				78	124.14	123.35	128			104
				79	125.73	124.90	129			104

For pulleys with 82-107 teeth turn to page 13

d<sub>0</sub> = Pitch circle diameter

d<sub>k</sub> = Outside diameter

d<sub>N</sub> = Hub Diameter († variable)

d<sub>v</sub>/d<sub>max</sub> = Stock Pulley bore diameter / max. bore

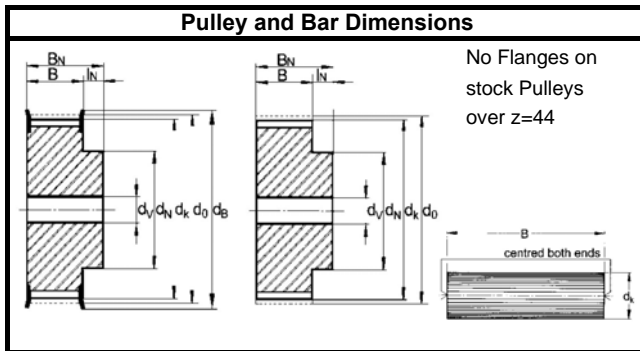
d<sub>B</sub> = Flange diameter (\*approximate)

• Available from stock in Aluminium. Preferred sizes shaded red.

Non Stock sizes available to order

Pulley Order Code Example

Pulley	Width	Type	Teeth	Flanges	Order Code
AL	27	T5	15	2	AL27T5/15.2



Pulley Width B <sub>N</sub>		Z no.	d <sub>0</sub>	d <sub>k</sub>	d <sub>B</sub> *	d <sub>N</sub>	bore size		
21	27	36	Bar	teeth	(mm)	(mm)	(mm)	d <sub>v</sub>	d <sub>max</sub>
				80	127.32	126.50	131		106
				81	128.92	128.10	133		108
				82	130.51	129.70	134		110
				83	132.10	131.30	136		110
				84	133.69	132.90	137		112
				85	135.28	134.45	139		114
				86	136.87	136.05	140		116
				87	138.46	137.65	142		119
				88	140.06	139.25	144		119
				89	141.65	140.85	145		120
				90	143.24	142.45	147		120
				91	144.83	144.00	148		122
				92	146.42	145.60	150		124
				93	148.01	147.20	152		126
				94	149.61	148.80	153		126
				95	151.20	150.40	155		129
				96	152.79	152.00	156		130
				97	154.38	153.55	158		130
				98	155.97	155.15	160		132
				99	157.56	156.75	161		132
				100	159.15	158.35	163		134
				101	160.75	159.95	164		136
				102	162.34	161.55	166		139
				103	163.93	163.15	168		140
				104	165.52	164.70	169		140
				105	167.11	166.30	171		140
				106	168.70	167.90	172		142
				107	170.30	169.50	174		146

Reverse Bending		
	Min roller and pulley Ø:	Zmin Ø min
	Standard cord	15 30
	E tension cord	12 18
	Reinforced cord	* *
	PAR backing	25 40
* Please consult our sales department		
Normal Use		
	Min roller and pulley Ø:	Zmin Ø min
	Standard cord	10 30
	E tension cord	10 18
	Reinforced cord	* *
	PAR backing	25 40
* Please consult our sales department		

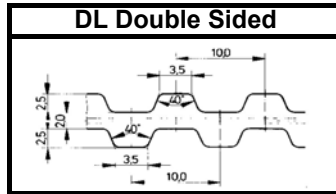
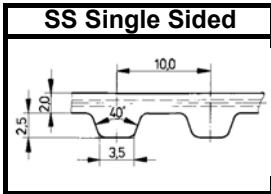
• Available from stock in Aluminium. Preferred sizes shaded red.

Non Stock sizes available to order

Pulley Order Code Example

Pulley	Width	Type	Teeth	Flanges	Order Code
AL	27	T5	15	2	AL27T5/15.2

d<sub>0</sub> = Pitch circle diameter  
d<sub>k</sub> = Outside diameter  
d<sub>N</sub> = Hub Diameter († variable)  
d<sub>v</sub>/d<sub>max</sub> = Stock Pulley bore diameter / max. bore  
d<sub>B</sub> = Flange diameter (\*approximate)



TECHNICAL DATA SUMMARY	
Potential Capacity	30kW
Maximum Speed	15000 rpm
Maximum Linear Speed	60 m/s
Allowable Tensile Load $F_{zul}$	720N/10mm of belt width
Wieght Per Meter	0.048kg/10mm of belt width



Standard Belt and Pulley Widths	
Standard belt widths b	12 16 20 25 32 50 75 100 150
Pulley face width B	17 21 25 30 37 56 81 106 156
Stock pulley width $B_N$	31 40 47 66

Profile/ length	No. of Teeth Z	Synchroflex		Breco M / V		Brecoflex	
		SS	DL	SS	DL	SS	DL
T10/ 260	26	•	•				
T10/ 320	32						
T10/ 370	37	•					
T10/ 410	41	•					
T10/ 440	44	•					
T10/ 500	50	•				■	
T10/ 530	53	•	•			■	
T10/ 560	56	•				■	
T10/ 600	60	•				■	
T10/ 610	61	•				■	
T10/ 630	63	•	•			■	
T10/ 660	66	•	•			■	
T10/ 680	68	•				■	
T10/ 690	69	•				■	
T10/ 700	70	•				■	
T10/ 720	72	•	•			■	
T10/ 730	73	•				■	
T10/ 750	75	•				■	
T10/ 760	76	•				■	
T10/ 780	78	•				■	
T10/ 810	81	•				■	
T10/ 840	84	•	•			■	
T10/ 850	85	•				■	
T10/ 880	88	•				■	
T10/ 890	89	•				■	
T10/ 920	92	•				■	
T10/ 960	96	•				■	
T10/ 970	97	•				■	
T10/ 980	98	•	•			■	
T10/ 990	99	•				■	
T10/ 1010	101	•				■	
T10/ 1080	108	•				■	■
T10/ 1110	111	•				■	■
T10/ 1140	114	•				■	■
T10/ 1150	115	•				■	■
T10/ 1210	121	•	•			■	■

Any joined length available in pitch multiples from 480mm  
Minimum quantities apply to belts of 10, 12 or 16mm width

Any joined length available in pitch multiples from 800mm  
Minimum quantities apply to belts of 10, 12 or 16mm width

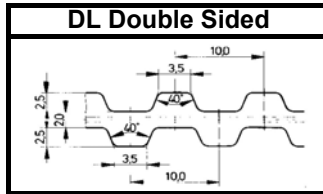
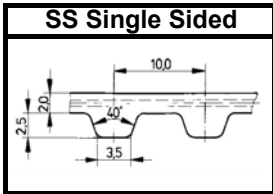
Profile length	No. of Teeth Z	Synchroflex		Breco M / V		Brecoflex	
		SS	DL	SS	DL	SS	DL
T10/ 1240	124	•	•			■	■
T10/ 1250	125	•	•			■	■
T10/ 1300	130	•					
T10/ 1320	132	•	•			■	■
T10/ 1350	135	•	•			■	■
T10/ 1390	139	•				■	■
T10/ 1400	140	•				■	■
T10/ 1420	142	•	•			■	■
T10/ 1450	145	•					
T10/ 1460	146	•				■	■
T10/ 1500	150	•				■	■
T10/ 1560	156	•				■	■
T10/ 1610	161	•	•			■	■
T10/ 1750	175	•				■	■
T10/ 1780	178	•				■	■
T10/ 1880	188	•	•			■	■
T10/ 1960	196	•				■	■
T10/ 2250	225	•				■	■
T10/ 2360	236					■	■
T10/ 2500	250					■	■
T10/ 2650	265					■	■
T10/ 2800	280					■	■
T10/ 3000	300					■	■
T10/ 3100	310	•				■	■
T10/ 3150	315					■	■
T10/ 3350	335					■	■
T10/ 3750	375					■	■
T10/ 4000	400					■	■
T10/ 4250	425					■	■
T10/ 4500	450					■	■
T10/ 4750	475					■	■
T10/ 4780	478	•	•			■	■
T10/ 5000	500					■	■
T10/ 5300	530					■	■
T10/ 5600	560					■	■
T10/ 6000	600					■	■

For Belts with 630-900 teeth turn to page 15

**Belt Order Code Example**

Width	Profile	Length	Ordering Code
12	T10	260	12T10/260
150	T10	6000	150T10/6000

- FLEX=endless, M=open length, V=joined
- Standard belt length, normally held in stock
  - Standard belt length, only available to special order
  - \* Intermediate lengths available between 1050-22000mm only available to special order. Min quantity will apply



TECHNICAL DATA SUMMARY	
Potential Capacity	30kW
Maximum Speed	15000 rpm
Maximum Linear Speed	60 m/s
Allowable Tensile Load $F_{zul}$	720N/10mm of belt width
Weight Per Meter	0.048kg/10mm of belt width



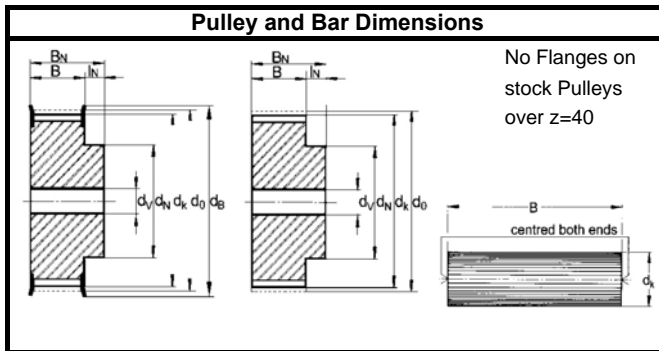
Standard Belt and Pulley Widths	
Standard belt widths b	12 16 20 25 32 50 75 100 150
Pulley face width B	17 21 25 30 37 56 81 106 156
Stock pulley width $B_N$	31 40 47 66

Profile/ length	No. of Teeth Z	Synchroflex		Breco M / V		Brecoflex	
		SS	DL	SS	DL	SS	DL
T10/ 6300	630			↑	↑	■	■
T10/ 6700	670			↑	↑	■	■
T10/ 7100	710			↑	↑	■	■
T10/ 7500	750			↑	↑	■	■
T10/ 8000	800			↑	↑	■	■
T10/ 9000	900			↓	↓	■	■

**Belt Order Code Example**

Width	Profile	Length	Ordering Code
12	T10	260	12T10/260
150	T10	6000	150T10/6000

- FLEX=endless, M=open length, V=joined
- Standard belt length, normally held in stock
- Standard belt length, only available to special order
- \* Intermediate lengths available between 1050-22000mm only available to special order. Min quantity will apply



Reverse Bending		
	Min roller and pulley Ø:	Zmin Ø min
	Standard cord	20 60
	E tension cord	15 50
	Reinforced cord	* *
	PAR backing	25 80
	* Please consult our sales department	

Normal Use		
	Min roller and pulley Ø:	Zmin Ø min
	Standard cord	12 60
	E tension cord	12 50
	Reinforced cord	* *
	PAR backing	25 80
	* Please consult our sales department	

Pulley Width B <sub>N</sub>		Z no.	d <sub>0</sub>	d <sub>k</sub>	d <sub>B</sub> *	d <sub>N</sub>	bore size					
31	40	47	66	Bar	teeth	(mm)	(mm)	(mm)	d <sub>v</sub>	d <sub>max</sub>		
• •					140	12	38.20	36.35	42	28	6	24
					140	13	41.38	39.55	45			26
• •					160	14	44.56	42.70	48	32	8	30
• •					160	15	47.75	45.90	51	32	8	34
• •					160	16	50.93	49.10	55	35	8	36
					160	17	54.11	52.25	58			40
• • • •					160	18	57.30	55.45	61	40	8	44
• • • •					160	19	60.48	58.65	64	44	8	46
• • • •					160	20	63.66	61.80	67	46	8	50
					160	21	66.85	65.00	70			52
• • • •					160	22	70.03	68.20	74	52	8	56
					160	23	73.21	71.35	76			60
• • • •					160	24	76.39	74.55	80	58	8	62
• • • •					160	25	79.58	77.75	82	60	8	66
• • • •					160	26	82.76	80.90	86	60	8	68
• • • •					160	27	85.94	84.10	90	60	8	72
• • • •					160	28	89.13	87.25	93	60	8	76
					160	29	92.31	90.45	96			78
• • • •					160	30	95.49	93.65	99	60	8	82
					160	31	98.68	96.80	102			84
• • • •					160	32	101.86	100.00	105	65	10	88
					160	33	105.04	103.20	109			88
					160	34	108.23	106.35	112			92
• • • •					160	35	111.41	109.55	115			96
• • • •					160	36	114.59	112.75	118	70	10	98
					160	37	117.77	115.90	121			101
					160	38	120.96	119.10	125			104
					160	39	124.14	122.30	128			106
• • • •					160	40	127.32	125.45	131	80	10	110
					160	41	130.51	128.65	134			110
					160	42	133.69	131.85	137			112
					160	43	136.87	135.00	140			114
• • • •					160	44	140.06	138.20	144	88	16	118
					160	45	143.24	141.40	147			120
					160	46	146.42	144.55	150			122

Pulley Width B <sub>N</sub>		Z no.	d <sub>0</sub>	d <sub>k</sub>	d <sub>B</sub> *	d <sub>N</sub>	bore size					
31	40	47	66	Bar	teeth	(mm)	(mm)	(mm)	d <sub>v</sub>	d <sub>max</sub>		
					47	149.61	147.75	153			122	
• • • •					160	48	152.79	150.95	156	95	16	124
					49	155.97	154.10	160			126	
					50	159.15	157.30	162			130	
					51	162.34	160.50	166			134	
					52	165.52	163.65	169			136	
					53	168.70	166.85	172			140	
					54	171.89	170.05	176			144	
					55	175.07	173.20	178			146	
					56	178.25	176.40	182			150	
					57	181.44	179.60	185			152	
					58	184.62	182.75	188			156	
					59	187.80	185.95	191			160	
• • • •					160	60	190.99	189.15	195	110	16	162
					61	194.17	192.30	198			164	
					62	197.35	195.50	201			166	
					63	200.54	198.70	204			170	
					64	203.72	201.85	207			171	
					65	206.90	205.05	210			174	
					66	210.08	208.25	214			175	
					67	213.27	211.40	217			177	
					68	216.45	214.60	220			181	
					69	219.63	217.80	223			185	
					70	222.82	220.95	226			187	
					71	226.00	224.15	230			191	
					160	72	229.18	227.35	232			193
					73	232.37	230.50	236			197	
					74	235.55	233.70	239			201	
					75	238.73	236.90	242			203	
					76	241.92	240.05	245			207	
					77	245.10	243.25	248			209	
					78	248.28	246.40	252			213	
					79	251.46	249.60	255			215	
					80	254.65	252.80	258			219	
					81	257.83	255.95	261			223	

• Available from stock in Aluminium. Preferred sizes shaded red.

Non Stock sizes available to order

Pulley Order Code Example

Pulley	Width	Type	Teeth	Flanges	Order Code
AL	31	T10	15	2	AL31T10/15.2

For pulleys with 84-109 teeth turn to page 17

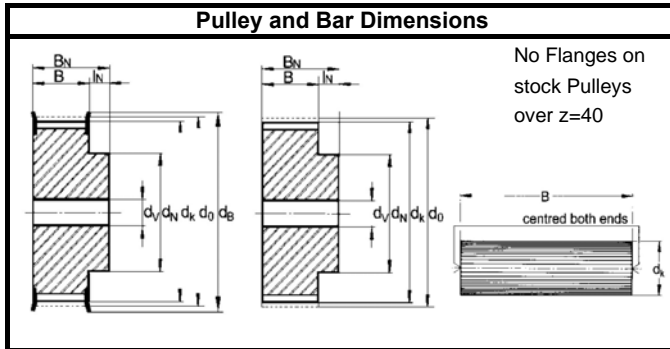
d<sub>0</sub> = Pitch circle diameter

d<sub>k</sub> = Outside diameter

d<sub>N</sub> = Hub Diameter († variable)

d<sub>v</sub>/d<sub>max</sub> = Stock Pulley bore diameter / max. bore

d<sub>B</sub> = Flange diameter (\*approximate)



Pulley Width B <sub>N</sub>		Z no. teeth	d <sub>0</sub> (mm)	d <sub>k</sub> (mm)	d <sub>B</sub> * (mm)	d <sub>N</sub> (mm)	bore size	
31	40						47	66
		82	261.01	259.15	265			225
		83	264.20	262.35	268			229
		84	267.38	265.50	271			231
		85	270.56	268.70	274			235
		86	273.75	271.90	277			239
		87	276.93	275.05	280			241
		88	280.11	278.25	284			245
		89	283.30	281.45	287			247
		90	286.48	284.60	290			251
		91	289.66	287.80	293			255
		92	292.85	291.00	296			257
		93	296.03	294.15	300			261
		94	299.21	297.35	302			263
		95	302.39	300.55	306			267
		96	305.58	303.70	309			269
		97	308.76	306.90	312			273
		98	311.94	310.10	315			279
		99	315.13	313.25	318			283
		100	318.31	316.45	322			285
		101	321.49	319.65	325			289
		102	324.68	322.80	328			293
		103	327.86	326.00	332			295
		104	331.04	329.20	335			299
		105	334.23	322.35	338			301
		106	337.41	335.55	341			305
		107	340.59	338.75	344			309
		108	343.77	341.90	347			311
		109	346.96	345.10	351			315

Reverse Bending		
	Min roller and pulley Ø:	Zmin Ø min
	Standard cord	20 60
	E tension cord	15 50
	Reinforced cord	* *
	PAR backing	25 80
* Please consult our sales department		
Normal Use		
	Min roller and pulley Ø:	Zmin Ø min
	Standard cord	12 60
	E tension cord	12 50
	Reinforced cord	* *
	PAR backing	25 80
* Please consult our sales department		

• Available from stock in Aluminium. Preferred sizes shaded red.

Non Stock sizes available to order

Pulley Order Code Example

Pulley	Width	Type	Teeth	Flanges	Order Code
AL	31	T10	15	<u>2</u>	AL31T10/15.2

d<sub>0</sub> = Pitch circle diameter  
d<sub>k</sub> = Outside diameter  
d<sub>N</sub> = Hub Diameter († variable)  
d<sub>v</sub>/d<sub>max</sub> = Stock Pulley bore diameter / max. bore  
d<sub>B</sub> = Flange diameter (\*approximate)