



### MXL Pitch Mini Pitch Series

### XL Pitch Extra Light Duty

Pitch 2/25", 2.032 m m			Pitch 1/5", 5.08 m m				
Length	Code	Pitch Length m m	# of Teeth	Length	Code	Pitch Length m m	# of Teeth
360	MXL	91.44	45	60	XL	152.40	30
432	MXL	109.73	54	70	XL	177.80	35
440	MXL	111.76	55	80	XL	203.20	40
456	MXL	115.82	57	90	XL	228.60	45
480	MXL	121.92	60	100	XL	254.00	50
488	MXL	123.95	61	110	XL	279.40	55
496	MXL	125.98	62	120	XL	304.80	60
536	MXL	136.14	67	130	XL	330.20	65
544	MXL	138.18	68	140	XL	355.60	70
576	MXL	146.30	72	150	XL	381.00	75
584	MXL	148.34	73	156	XL	396.24	78
632	MXL	160.53	79	160	XL	406.40	80
640	MXL	162.56	80	170	XL	431.80	85
656	MXL	166.62	82	180	XL	457.20	90
704	MXL	178.82	88	190	XL	482.60	95
720	MXL	182.88	90	200	XL	508.00	100
760	MXL	193.04	95	210	XL	533.40	105
800	MXL	203.20	100	220	XL	558.80	110
808	MXL	205.23	101	230	XL	584.20	115
824	MXL	209.30	103	240	XL	609.60	120
840	MXL	213.36	105	250	XL	635.00	125
880	MXL	223.52	110	260	XL	660.40	130
912	MXL	231.65	114	270	XL	685.80	135
920	MXL	233.68	115	290	XL	736.60	145
944	MXL	239.78	118	310	XL	787.40	155
960	MXL	243.84	120	320	XL	812.80	160
976	MXL	247.90	122	330	XL	838.20	165
984	MXL	249.94	123	390	XL	990.60	195
1000	MXL	254.00	125				
1008	MXL	256.03	126				
1016	MXL	258.06	127				
1056	MXL	268.22	132				
1072	MXL	272.29	134				
1120	MXL	284.48	140				
1176	MXL	298.70	147				
1200	MXL	304.80	150				
1280	MXL	325.12	160				
1400	MXL	355.60	175				
1472	MXL	373.89	184				
1496	MXL	379.98	187				
1520	MXL	386.08	190				
1600	MXL	406.40	200				
1680	MXL	426.72	210				
1768	MXL	449.07	221				
1888	MXL	479.55	236				
1984	MXL	503.94	248				
2048	MXL	520.19	256				
2240	MXL	568.96	280				
2384	MXL	605.54	298				
2480	MXL	629.92	310				
2496	MXL	633.98	312				
2520	MXL	640.08	315				
3200	MXL	812.80	400				
3472	MXL	881.89	434				
3944	MXL	1001.78	493				
4000	MXL	1016.00	500				

Belt Width & Width Codes: eg. 60XL-037

6.5mm - 025  
9.5mm - 037  
12.7mm - 050

Intermediate and wider widths available (XL)

Longer lengths available on request (XL)

Backed belts with all common backings (MXL & XL)

Belt Width & Width Codes: eg. 360MXL-012

3.25mm - 012  
4.75mm - 019  
6.5mm - 025



**L Pitch Light Duty**

**H Pitch Heavy Duty**

*Pitch 3/8", 9.525 m m*

*Pitch 1/2", 12.7 m m*

Length Code	Pitch Length m m	# of Teeth
124 L	314.33	33
150 L	381.00	40
187 L	476.25	50
210 L	533.40	56
225 L	571.50	60
240 L	609.60	64
255 L	647.70	68
270 L	685.80	72
285 L	723.90	76
300 L	762.00	80
322 L	819.15	86
345 L	876.30	92
367 L	933.45	98
390 L	990.60	104
420 L	1066.80	112
450 L	1143.00	120
480 L	1219.20	128
510 L	1295.40	136
540 L	1371.60	144
600 L	1524.00	160

Length Code	Pitch Length m m	# of Teeth
240 H	609.90	48
270 H	685.80	54
300 H	762.00	60
330 H	838.20	66
360 H	914.40	72
390 H	990.60	78
420 H	1066.80	84
450 H	1143.00	90
480 H	1219.20	96
510 H	1295.40	102
410 H	1371.60	108
470 H	1447.80	114
600 H	1524.00	120
630 H	1600.20	126
660 H	1676.40	132
700 H	1778.00	140
750 H	1905.00	150
800 H	2032.00	160
850 H	2159.00	170
900 H	2286.00	180
1000 H	2540.00	200
1100 H	2794.00	220
1120 H	2844.80	224
1150 H	2921.00	230
1250 H	3175.00	250
1400 H	3556.00	280
1700 H	4318.00	340

Belt Width & Width Codes: eg. 124L-050  
 13mm - 050  
 19mm - 075  
 25mm - 100

Belt Width & Width Codes: eg. 240H-150  
 19mm - 050  
 25mm - 100  
 38mm - 150  
 51mm - 200  
 76mm - 300

Intermediate and wider widths available

Longer lengths available on request

Backed belts with all common backings

Intermediate and wider lengths available

Intermediate and longer lengths available on request

**XH Pitch Extra Heavy Duty**

*Pitch 7/8", 22.225 m m*

Length Code	Pitch Length m m	# of Teeth
507 XH	1289.05	58
560 XH	1422.40	64
630 XH	1600.20	72
700 XH	1778.00	80
770 XH	1955.80	88
840 XH	2133.60	96
980 XH	2489.20	112
1120 XH	2844.80	128
1260 XH	3200.40	144
1400 XH	3556.00	160
1540 XH	3911.60	176
1750 XH	4445.00	200

Belt Width & Width Codes: eg. 507XH-300  
 25mm - 100  
 51mm - 200  
 76mm - 300  
 102mm - 400



### Double-Sided Timing Belts - XL Pitch

*Pitch 1/5", 5.08 m m*

Length Code	Pitch Length m m	# of Teeth
D 120 XL	304.80	60
D 130 XL	330.20	65
D 140 XL	355.60	70
D 150 XL	381.00	75
D 156 XL	396.24	78
D 160 XL	406.40	80
D 170 XL	431.80	85
D 180 XL	457.20	90
D 190 XL	482.60	95
D 200 XL	508.00	100
D 210 XL	533.40	105
D 220 XL	558.80	110
D 230 XL	584.20	115
D 240 XL	609.60	120
D 250 XL	635.00	125
D 260 XL	660.40	130
D 270 XL	685.80	135
D 290 XL	736.60	145
D 310 XL	787.40	155
D 320 XL	812.80	160
D 330 XL	838.20	165
D 390 XL	990.60	195

Belt Width & Width Codes: eg. D120XL-037

6.5mm - 025

9.5mm - 037

Intermediate and wider widths available

### Double-Sided Timing Belts - L Pitch

*Pitch 3/8", 9.525 m m*

Length Code	Pitch Length m m	# of Teeth
D 150 L	381.00	40
D 187 L	476.25	50
D 210 L	533.40	56
D 225 L	571.50	60
D 240 L	609.60	64
D 255 L	647.70	68
D 270 L	685.80	72
D 285 L	723.90	76
D 300 L	762.00	80
D 322 L	819.15	86
D 345 L	876.30	92
D 367 L	933.45	98
D 390 L	990.60	104
D 420 L	1066.80	112
D 450 L	1143.00	120
D 480 L	1219.20	128
D 510 L	1295.40	136
D 540 L	1371.60	144
D 600 L	1524.00	160

Belt Width & Width Codes: eg. D150L-075

13mm - 050

19mm - 075

25mm - 100

Intermediate and wider widths available

### Double-Sided Timing Belts - H Pitch

*Pitch 1/2", 12.7 m m*

Length Code	Pitch Length m m	# of Teeth
D 240 H	609.60	48
D 270 H	685.80	54
D 300 H	762.00	60
D 330 H	838.20	66
D 360 H	914.40	72
D 390 H	990.60	78
D 420 H	1066.80	84
D 450 H	1143.00	90
D 480 H	1219.20	96
D 510 H	1295.40	102
D 540 H	1371.60	108
D 570 H	1447.80	114
D 600 H	1524.00	120
D 630 H	1600.20	126
D 660 H	1676.40	132
D 700 H	1778.00	140
D 750 H	1905.00	150
D 800 H	2032.00	160
D 850 H	2159.00	170
D 900 H	2286.00	180
D 1000 H	2540.00	200
D 1100 H	2794.00	220
D 1250 H	3175.00	250
D 1400 H	3556.00	280
D 1700 H	4318.00	340

Belt Width & Width Codes: eg. D240H-075

19mm - 075

25mm - 100

38mm - 150

51mm - 200

76mm - 300

Intermediate and wider widths available

Intermediate and longer lengths available on request

# Timing Pulleys: Imperial Pilot Bore



XL037		L050		L075		L100	
No. of Teeth	Pitch Circle Dia.	No. of Teeth	Pitch Circle Dia.	No. of Teeth	Pitch Circle Dia.	No. of Teeth	Pitch Circle Dia.
10	16.17	10	30.32	10	30.32	10	30.32
11	17.79	11	33.35	11	33.35	11	33.35
12	19.40	12	36.38	12	36.38	12	36.38
13	21.02	13	39.41	13	39.41	13	39.41
14	22.64	14	42.45	14	42.45	14	42.45
15	24.26	15	45.48	15	45.48	15	45.48
16	25.87	16	48.51	16	48.51	16	48.51
17	27.49	17	51.54	17	51.54	17	51.54
18	29.11	18	54.57	18	54.57	18	54.57
19	30.72	19	57.61	19	57.61	19	57.61
20	32.34	20	60.64	20	60.64	20	60.64
21	33.96	21	63.67	21	63.67	21	63.67
22	35.57	22	66.70	22	66.70	22	66.70
24	38.81	23	69.73	23	69.73	23	69.73
26	42.04	24	72.77	24	72.77	24	72.77
27	43.66	25	75.80	25	75.80	25	75.80
28	45.28	26	78.83	26	78.83	26	78.83
30	48.51	27	81.86	27	81.86	27	81.86
32	51.74	28	84.89	28	84.89	28	84.89
34	54.98	29	87.93	29	87.93	29	87.93
35	55.60	30	90.96	30	90.96	30	90.96
36	58.21	32	97.02	32	97.02	32	97.02
38	61.45	33	100.05	33	100.05	33	100.05
39	63.06	34	103.08	34	103.08	34	103.08
40	64.68	35	106.12	35	106.12	35	106.12
42	67.91	36	109.15	36	109.15	36	109.15
44	71.15	40	121.28	40	121.28	40	121.28
48	77.62	42	127.34	42	127.34	42	127.34
60	97.02	44	133.40	44	133.40	44	133.40
72	116.43	45	136.44	45	136.44	45	136.44
		48	145.53	48	145.53	48	145.53
		50*	151.60	50*	151.60	50*	151.60
		52*	157.66	52*	157.66	52*	157.66
		56*	169.79	56*	169.79	56*	169.79
		57*	172.82	57*	172.82	57*	172.82
		60*	181.91	60*	181.91	60*	181.91
		72*	218.30	72*	218.30	72*	218.30
		84*	254.68	84*	254.68	84*	254.68
		96*	291.06	96*	291.06	96*	291.06

Width Codes:  
 037 = 9.5mm (3/8")  
 050 = 12.7mm (1/2")  
 075 = 19mm (3/4")  
 100 = 25.4mm (1")

To Order: quote reference TMP[No. of Teeth][Belt Pitch-Width Code]PB  
 Example: For the first pulley listed above - Order Ref TMP10XL037PB

Pulley sizes marked \* are non-flanged



H075		H100	H150	H200	H300	XH200		XH300	XH400
No. of Teeth	Pitch Circle Dia.	Pitch Circle Dia.	Pitch Circle Dia.	Pitch Circle Dia.	Pitch Circle Dia.	No. of Teeth	Pitch Circle Dia.	Pitch Circle Dia.	Pitch Circle Dia.
14	56.60	56.60	56.60	56.60	56.60	18	127.34	127.34	127.34
15	60.64	60.64	60.64	60.64	60.64	19	134.41	134.41	134.41
16	64.68	64.68	64.68	64.68	64.68	20	141.49	141.49	141.49
17	68.72	68.72	68.72	68.72	68.72	21	148.56	148.56	148.56
18	72.77	72.77	72.77	72.77	72.77	22	155.64	155.64	155.64
19	76.81	76.81	76.81	76.81	76.81	24	169.79	169.79	169.79
20	80.85	80.85	80.85	80.85	80.85	25	176.86	176.86	176.86
21	84.89	84.89	84.89	84.89	84.89	26	183.94	183.94	183.94
22	88.94	88.94	88.94	88.94	88.94	27	191.01	191.01	191.01
23	92.98	92.98	92.98	92.98	92.98	28	198.08	198.08	198.08
24	97.02	97.02	97.02	97.02	97.02	30	212.23	212.23	212.23
25	101.06	101.06	101.06	101.06	101.06	32	226.38	226.38	226.38
26	105.11	105.11	105.11	105.11	105.11	34	240.53	240.53	240.53
27	209.15	209.15	209.15	209.15	209.15				
28	113.19	113.19	113.19	113.19	113.19				
29	117.23	117.23	117.23	117.23	117.23				
30	121.28	121.28	121.28	121.28	121.28				
32	129.36	129.36	129.36	129.36	129.36				
33	133.40	133.40	133.40	133.40	133.40				
34	137.45	137.45	137.45	137.45	137.45				
35	141.49	141.49	141.49	141.49	141.49				
36	145.53	145.53	145.53	145.53	145.53				
38	153.62	153.62	153.62	153.62	153.62				
40	161.70	161.70	161.70	161.70	161.70				
44	177.87	177.87	177.87	177.87	177.87				
45	181.91	181.91	181.91	181.91	181.91				
48	194.04	194.04	194.04	194.04	194.04				
49*	198.08	198.08	198.08	198.08	198.08				
50*	202.13	202.13	202.13	202.13	202.13				
52*	210.21	210.21	210.21	210.21	210.21				
58*	234.47	234.47	234.47	234.47	234.47				
60*	242.55	242.55	242.55	242.55	242.55				
70*	282.98	282.98	282.98	282.98	282.98				
72*	291.06	291.06	291.06	291.06	291.06				
82*	331.49	331.49	331.49	331.49	331.49				
84*	339.57	339.57	339.57	339.57	339.57				
96*	388.08	388.08	388.08	388.08	388.08				
106*	428.51	428.51	428.51	428.51	428.51				
120*	485.10	485.10	485.10	485.10	485.10				

Width Codes:

- 075 = 19mm (3/4")
- 100 = 25.4mm (1")
- 150 = 38.1mm (1 1/2")
- 200 = 50.8mm (2")
- 300 = 76.2mm (3")
- 400 = 101.6mm (4")

To Order: quote reference

TMP[No. of Teeth][Belt Pitch-Width Code]PB  
 Example: For the first pulley listed above -  
 Order Ref TMP14H075PB

Pulley sizes marked \* are non-flanged

## Timing Pulleys: Imperial Taper Lock

# ASHLEY POWER



### L (3/8") Pitch Timing Pulleys

No. of Teeth	1/2" (050)	3/4" (075)	1" (100)
	Bush Ref.	Bush Ref.	Bush Ref.
18	1108	1108	1108
19	1108	1108	1108
20	1108	1108	1108
21	1108	1108	1108
22	1108	1108	1108
23	1108	1108	1108
24	1108	1108	1108
25	1108	1108	1108
26	1108	1108	1108
27	1108	1108	1108
28	1108	1108	1108
30	1108	1108	1108
32	1108	1108	1210
36	1108	1610	1610
40	1610	1610	1610
48	1610	1610	1610
60*	1610	1610	1610
72*	1610	1610	2012
84*	1610	2012	2012
96*	2012	2012	2012
120*	2012	2012	2012

Width Codes:

050 = 12.7mm (1/2")

075 = 19mm (3/4")

100 = 25.4mm (1")

150 = 38.1mm (1 1/2")

200 = 50.8mm (2")

300 = 76.2mm (3")

400 = 101.6mm (4")

To Order: quote reference

TMP[No. of Teeth][Belt Pitch-Width Code]

Example: For the first pulley listed above -

Order Ref TMP18L050

Pulley sizes marked \* are non-flanged

### H (1/2") Pitch Timing Pulleys

No. of Teeth	1" (100)	1 1/2" (150)	2" (200)	3" (300)
	Bush Ref.	Bush Ref.	Bush Ref.	Bush Ref.
18	1210	1210	1210	
19	1210	1210	1610	
20	1210	1210	1610	1615
21	1210	1210	1610	1615
22	1210	1210	1610	1615
23	1610	1610	1610	1615
24	1610	1610	1610	1615
25	1610	1610	1610	1615
26	1610	1610	1610	1615
27	1610	1610	1610	2012
28	1610	1610	1610	2012
30	1610	1610	1610	2012
32	1610	1610	2012	2517
36	1610	1610	2012	2517
40	1610	1610	2012	2517
44	2012	2012	2012	2517
48	2012	2012	2517	2517
60*	2012	2012	2517	2517
72*	2012	2012	2517	2517
84*	2012	2012	2517	2517
96*	2517	2517	2517	3030
120*	2517	2517	2517	3030



### HTD (Metric Pitch) Timing Belts - 3mm Pitch

Available in Standard Widths of 9mm & 15mm

Length Code	Pitch Length mm	# of Teeth	Length Code	Pitch Length mm	# of Teeth
144 -3M	144	48	390 -3M	390	130
147 -3M	147	49	393 -3M	393	131
150 -3M	150	50	405 -3M	405	135
159 -3M	159	53	420 -3M	420	140
168 -3M	168	56	432 -3M	432	144
174 -3M	174	58	447 -3M	447	149
177 -3M	177	59	465 -3M	465	155
180 -3M	180	60	474 -3M	474	158
186 -3M	186	62	480 -3M	480	160
195 -3M	195	65	486 -3M	486	162
201 -3M	201	67	489 -3M	489	163
204 -3M	204	68	501 -3M	501	167
210 -3M	210	70	510 -3M	510	170
213 -3M	213	71	513 -3M	513	171
225 -3M	225	75	522 -3M	522	174
231 -3M	231	77	531 -3M	531	177
240 -3M	240	80	537 -3M	537	179
243 -3M	243	81	564 -3M	564	188
246 -3M	246	82	570 -3M	570	190
252 -3M	252	84	576 -3M	576	192
255 -3M	255	85	579 -3M	579	193
264 -3M	264	88	597 -3M	597	199
267 -3M	267	89	600 -3M	600	200
270 -3M	270	90	633 -3M	633	211
276 -3M	276	92	648 -3M	648	216
285 -3M	285	95	669 -3M	669	223
288 -3M	288	96	711 -3M	711	237
291 -3M	291	97	735 -3M	735	245
297 -3M	297	99	738 -3M	738	246
300 -3M	300	100	756 -3M	756	252
312 -3M	312	104	804 -3M	804	268
318 -3M	318	106	882 -3M	882	294
327 -3M	327	109	945 -3M	945	315
330 -3M	330	110	1062 -3M	1062	354
333 -3M	333	111	1125 -3M	1125	375
336 -3M	336	112	1245 -3M	1245	415
339 -3M	339	113	1263 -3M	1263	421
345 -3M	345	115	1500 -3M	1500	500
357 -3M	357	119	1530 -3M	1530	510
363 -3M	363	121	1863 -3M	1863	621
375 -3M	375	125			
384 -3M	384	128			



### HTD (Metric Pitch) Timing Belts - 5mm Pitch

Available in Standard Widths of 9mm, 15mm & 25mm

Length Code	Pitch Length mm	# of Teeth	Length Code	Pitch Length mm	# of Teeth
235 -5M	235	47	850 -5M	850	170
245 -5M	245	49	890 -5M	890	178
255 -5M	255	51	900 -5M	900	180
265 -5M	265	53	935 -5M	935	187
270 -5M	270	54	940 -5M	940	188
285 -5M	285	57	950 -5M	950	190
295 -5M	295	59	980 -5M	980	196
300 -5M	300	60	1000 -5M	1000	200
305 -5M	305	61	1050 -5M	1050	210
325 -5M	325	65	1100 -5M	1100	220
345 -5M	345	69	1125 -5M	1125	225
350 -5M	350	70	1195 -5M	1195	239
375 -5M	375	75	1200 -5M	1200	300
400 -5M	400	80	1240 -5M	1240	248
420 -5M	420	84	1270 -5M	1270	254
425 -5M	425	85	1420 -5M	1420	284
450 -5M	450	90	1595 -5M	1595	319
455 -5M	455	91	1690 -5M	1690	338
460 -5M	460	92	1790 -5M	1790	358
465 -5M	465	93	1800 -5M	1800	390
475 -5M	475	95	1895 -5M	1895	379
500 -5M	500	100	2000 -5M	2000	400
525 -5M	525	105	2250 -5M	2250	450
535 -5M	535	107	2525 -5M	2525	505
565 -5M	565	113			
575 -5M	575	115			
580 -5M	580	116			
600 -5M	600	120			
610 -5M	610	122			
635 -5M	635	127			
640 -5M	640	128			
670 -5M	670	134			
675 -5M	675	135			
700 -5M	700	140			
705 -5M	705	141			
710 -5M	710	142			
725 -5M	725	145			
740 -5M	740	148			
750 -5M	750	150			
755 -5M	755	151			
800 -5M	800	160			
835 -5M	835	167			





### HTD (Metric Pitch) Timing Belts 8mm Pitch

Available in Standard Widths of 20mm, 30mm,  
50mm & 85mm

### HTD (Metric Pitch) Timing Belts 14mm Pitch

Available in Standard Widths of 40mm, 55mm,  
85mm, 115mm & 170mm

Length Code	Pitch Length mm	# of Teeth	Length Code	Pitch Length mm	# of Teeth
320 -8m	320	40	966 -14M	966	69
536 -8m	536	67	1190 -14M	1190	85
560 -8m	560	70	1400 -14M	1400	100
600 -8m	600	75	1610 -14M	1610	115
632 -8m	632	79	1778 -14M	1778	127
640 -8m	640	80	1890 -14M	1890	135
680 -8m	680	85	2100 -14M	2100	150
720 -8m	720	90	2310 -14M	2310	165
800 -8m	800	100	2450 -14M	2450	175
840 -8m	840	105	2590 -14M	2590	185
880 -8m	880	110	2800 -14M	2800	200
920 -8m	920	115	3150 -14M	3150	225
960 -8m	960	120	3360 -14M	3360	240
1040 -8m	1040	130	3500 -14M	3500	250
1120 -8m	1120	140	3850 -14M	3850	275
1200 -8m	1200	150	4326 -14M	4326	309
1224 -8m	1224	153	4578 -14M	4578	327
1280 -8m	1280	160	4956 -14M	4956	354
1352 -8m	1352	169			
1440 -8m	1440	180			
1464 -8m	1464	183			
1600 -8m	1600	200			
1760 -8m	1760	220			
1800 -8m	1800	225			
2000 -8m	2000	250			
2400 -8m	2400	300			
2600 -8m	2600	325			
2800 -8m	2800	350			
3048 -8m	3048	381			
3280 -8m	3280	410			
3600 -8m	3600	450			
4400 -8m	4400	550			

# Timing Pulleys: Metric HTD, Pilot Bore



Pulley Type	No. of Teeth	3M-9	3M-15	Pulley Type	No. of Teeth	5M-9	5M-15	5M-25
		Pitch Circle Dia.	Pitch Circle Dia.			Pitch Circle Dia.	Pitch Circle Dia.	Pitch Circle Dia.
10-3MF	10	9.55	9.55	12-5MF	12	19.10	19.10	19.10
12-3MF	12	11.46	11.46	14-5MF	14	22.28	22.28	22.28
14-3MF	14	13.37	13.37	15-5MF	15	23.87	23.87	23.87
15-3MF	15	14.32	14.32	16-5MF	16	25.46	25.46	25.46
16-3MF	16	15.28	15.28	18-5MF	18	28.65	28.65	28.65
18-3MF	18	17.19	17.19	20-5MF	20	31.83	31.83	31.83
20-3MF	20	19.10	19.10	21-5MF	21	33.42	33.42	33.42
21-3MF	21	20.05	20.05	22-5MF	22	35.01	35.01	35.01
22-3MF	22	21.01	21.01	24-5MF	24	38.20	38.20	38.20
24-3MF	24	22.92	22.92	26-5MF	26	41.38	41.38	41.38
26-3MF	26	24.83	24.83	28-5MF	28	44.56	44.56	44.56
28-3MF	28	26.74	26.74	30-5MF	30	47.75	47.75	47.75
30-3MF	30	28.65	28.65	32-5MF	32	50.93	50.93	50.93
32-3MF	32	30.56	30.56	36-5MF	36	57.30	57.30	57.30
36-3MF	36	34.38	34.38	40-5MF	40	63.66	63.66	63.66
40-3MF	40	38.20	38.20	44-5M	44	70.03	70.03	70.03
44-3MF	44	42.02	42.02	48-5M	48	76.39	76.39	76.39
48-3M	48	45.84	45.84	60-5M	60	95.49	95.49	95.49
60-3M	60	57.30	57.30	72-5M	72	114.59	114.59	114.59
72-3M	72	68.75	68.75					

To Order: quote reference  
HTDP[No. of Teeth]-[Belt Pitch-Width  
Code]PB  
Example: For the first pulley listed above -  
Order Ref HTDP10-3M-9PB

Pulley sizes in ***Bold Italic*** are non-flanged

Pulley Type	No. of Teeth	8M-20	8M-30	8M-50	8M-85	Pulley Type	No. of Teeth	14M-40	14M-55	14M-85	14M-115	14M-170
		Pitch Circle Dia.	Pitch Circle Dia.	Pitch Circle Dia.	Pitch Circle Dia.			Pitch Circle Dia.	Pitch Circle Dia.	Pitch Circle Dia.	Pitch Circle Dia.	Pitch Circle Dia.
22-8MF	22	56.02	56.02	56.02	56.02	28-14MF	28	124.78	124.78	124.78	124.78	124.78
24-8MF	24	61.12	61.12	61.12	61.12	30-14MF	30	133.69	133.69	133.69	133.69	133.69
26-8MF	26	66.21	66.21	66.21	66.21	32-14MF	32	142.60	142.60	142.60	142.60	142.60
28-8MF	28	71.30	71.30	71.30	71.30	34-14MF	34	151.52	151.52	151.52	151.52	151.52
30-8MF	30	76.39	76.39	76.39	76.39	36-14MF	36	160.43	160.43	160.43	160.43	160.43
32-8MF	32	81.49	81.49	81.49	81.49	38-14MF	38	169.34	169.34	169.34	169.34	169.34
34-8MF	34	86.58	86.58	86.58	86.58	40-14MF	40	178.25	178.25	178.25	178.25	178.25
36-8MF	36	91.67	91.67	91.67	91.67	44-14MF	44	196.08	196.08	196.08	196.08	196.08
38-8MF	38	96.77	96.77	96.77	96.77	48-14MF	48	213.90	213.90	213.90	213.90	213.90
40-8MF	40	101.86	101.86	101.86	101.86	56-14MF	56	249.55	249.55	249.55	249.55	249.55
44-8MF	44	112.05	112.05	112.05	112.05	64-14MF	64	285.21	285.21	285.21	285.21	285.21
48-8MF	48	122.23	122.23	122.23	122.23	72-14M	72	320.86	320.86	320.86	320.86	320.86
56-8MF	56	142.60	142.60	142.60	142.60	80-14M	80	356.51	356.51	356.51	356.51	356.51
64-8MF	64	162.97	162.97	162.97	162.97	90-14M	90	401.07	401.07	401.07	401.07	401.07
72-8MF	72	183.35	183.35	183.35	183.35	112-14M	112	499.11	499.11	499.11	499.11	499.11
80-8M	80	203.72	203.72	203.72	203.72	144-14M	144	641.71	641.71	641.71	641.71	641.71
90-8M	90	229.18	229.18	229.18	229.18	168-14M	168	748.66	748.66	748.66	748.66	748.66
112-8M	112	285.21	285.21	285.21	285.21	192-14M	192	855.62	855.62	855.62	855.62	855.62
144-8M	144	366.69	366.69	366.69	366.69							
168-8M	168	427.81	427.81	427.81	427.81							
192-8M	192	488.92	488.92	488.92	488.92							

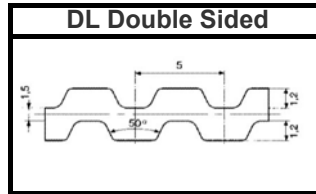
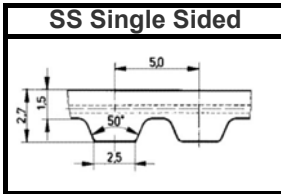


5mm Pitch (5M)		8mm Pitch (8M)				
Width	15mm	Width	20mm	30mm	50mm	85mm
No. of Teeth	5M Bush	No. of Teeth	8M-20 Bush	8M-30 Bush	8M-50 Bush	8M-85 Bush
34	1008	22	1008	1008		
36	1108	24	1108	1108		
38	1108	26	1108	1108		
40	1108	28	1108	1210	1210	
44	1108	30	1108	1615	1615	
48	1210	32	1610	1615	1615	
56	1210	34	1610	1615	1615	1615
64	1210	36	1610	1615	1615	1615
72	1610	38	1610	1615	1615	1615
80	1610	40	1610	1615	2012	2012
90*	1610	44	2012	2012	2012	2012
112*	2012	48	2012	2012	2012	2517
136*	2012	56	2012	2012	2517	2517
		64	2012	2517	2517	2517
		72	2012	2517	2517	3020
		80*	2012	2517	3020	3020
		90*	2012	2517	3020	3020
		112*		2517	3020	3020
		144*		2517	3020	3525
		168*			3525	3525
		192*			3525	3525

To Order: quote reference  
HTDP[No. of Teeth]-[Belt Pitch-Width  
Code]  
Example: For the first pulley listed  
above - Order Ref HTDP34-5M-15

Pulley sizes marked \* are non-  
flanged

14mm Pitch (14M)					
Width	40mm	55mm	85mm	115mm	170mm
No. of Teeth	14M-40 Bush	14M-55 Bush	14M-85 Bush	14M-115 Bush	14M-170 Bush
28	2012	2012	2517	2517	
30	2012	2517	2517	2517	
32	2012	2517	2517	2517	
34	2517	2517	2517	2517	
36	2517	2517	3020	3020	
38	2517	2517	3020	3020	3030
40	2517	2517	3020	3020	3030
44	3020	3020	3030	3030	3535
48	3020	3020	3030	3030	3535
56	3020	3020	3525	3535	
64	3020	3020	3525	3535	
72*	3020	3020	3525	3535	
80*	3020	3020	3525	3535	4040
90*	3020	3020	3525	3535	4040
112*	3020	3020	3525	3535	5050
144*	3020	3020	3525	4040	5050
168*	3020	3020	3525	4040	5050
192*	3020	3020	4040	4040	
216*	3020	3525	4040	4040	



TECHNICAL DATA SUMMARY	
Potential Capacity	15kW
Maximum Speed	40000 rpm
Maximum Linear Speed	80 m/s
Allowable Tensile Load $F_{zul}$	700N/10mm of belt width
Wieght Per Meter	0.032kg/10mm of belt width



Standard Belt and Pulley Widths	
Standard belt widths b	10 12 16 20 25 32 50 75
Pulley face width B	15 17 21 25 30 37 55 80
Stock pulley width $B_N$	21 27 36

Profile/ length	No. of Teeth Z	Synchroflex		Breco M / V		Brecoflex	
		SS	DL	SS	DL	SS	DL
AT5/ 225	45	•				■	
AT5/ 255	51	•				■	
AT5/ 260	52	•					
AT5/ 280	56	•				■	
AT5/ 300	60	•					
AT5/ 305	61					■	
AT5/ 330	66	•					
AT5/ 340	68	•				■	
AT5/ 375	75	•					
AT5/ 390	78	•				■	
AT5/ 420	84	•				■	
AT5/ 450	90	•					
AT5/ 455	91	•				■	
AT5/ 480	96	•					
AT5/ 500	100	•				■	
AT5/ 525	105	•					
AT5/ 545	109	•				■	
AT5/ 600	120	•					
AT5/ 610	122	•				■	
AT5/ 620	124	•					
AT5/ 630	126	•					
AT5/ 660	132	•				■	
AT5/ 670	134	•					
AT5/ 710	142	•				■	
AT5/ 720	144	•					
AT5/ 750	150	•				■	
AT5/ 780	156	•				■	
AT5/ 825	165	•					
AT5/ 840	168					■	
AT5/ 855	171					■	
AT5/ 860	172	•					
AT5/ 900	180	•					
AT5/ 975	195	•					
AT5/ 990	198					■	
AT5/ 1020	204					■	
AT5/ 1050	210	•					

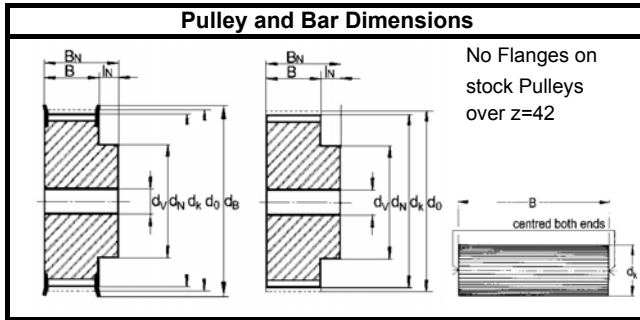
Any joined length available in pitch multiples from 600mm.  
Minimum quantities apply to belts of 6, 8 or 10mm width

Profile/ length	No. of Teeth Z	Synchroflex		Breco M / V		Brecoflex	
		SS	DL	SS	DL	SS	DL
AT5/ 1075	215					■	■
AT5/ 1100	220					■	■
AT5/ 1125	225	•					
AT5/ 1215	243					■	■
AT5/ 1380	276					■	■
AT5/ 1400	280					■	■
AT5/ 1500	300	•				■	■
AT5/ 1600	320					■	■
AT5/ 1700	340					■	■
AT5/ 1750	350	•					
AT5/ 1800	360					■	■
AT5/ 1900	380					■	■
AT5/ 2000	400	•				■	■
AT5/ 2120	424					■	■
AT5/ 2240	448					■	■
AT5/ 2360	472					■	■
AT5/ 2500	500					■	■
AT5/ 2650	530					■	■
AT5/ 2800	560					■	■
AT5/ 3000	600					■	■
AT5/ 3150	630					■	■
AT5/ 3350	670					■	■
AT5/ 3550	710					■	■
AT5/ 3750	750					■	■
AT5/ 4000	800					■	■
AT5/ 4250	850					■	■
AT5/ 4500	900					■	■
AT5/ 4750	950					■	■
AT5/ 5000	1000					■	■
AT5/ 5300	1060					■	■
AT5/ 5600	1120					■	■
AT5/ 6000	1200					■	■
AT5/ 6300	1260					■	■
AT5/ 6700	1340					■	■
AT5/ 7100	1420					■	■
AT5/ 7500	1500					■	■

**Belt Order Code Example**

Width	Profile	Length	Ordering Code
12	AT5	225	12AT5/225
20	AT5	2000	20AT5/2000

- FLEX=endless, M=open length, V=joined
- Standard belt length, normally held in stock
- Standard belt length, only available to special order
- \* Intermediate lengths available between 1050-15000mm only available to special order. Min quantity will apply



Reverse Bending		
Min roller and pulley Ø:	Zmin	Ø min
Standard cord	20	60
E tension cord	20	50
Reinforced cord	25	70
PAR backing	25	60

Normal Use		
Min roller and pulley Ø:	Zmin	Ø min
Standard cord	15	25
E tension cord	12	18
Reinforced cord	24	60
PAR backing	25	60

Pulley Width B <sub>N</sub>		Z no.	d <sub>0</sub>	d <sub>k</sub>	d <sub>B</sub> *	d <sub>N</sub>	bore size			
21	27	36	Bar	teeth	(mm)	(mm)	(mm)	(mm)	d <sub>v</sub>	d <sub>max</sub>
•	•	•		12	19.10	17.90	23	12†	4	6
				13	20.69	19.49	25			7
•	•	•		14	22.28	21.10	26	14	4	8
•	•	•		15	23.87	22.65	28	16	6	10
•	•	•		16	25.46	24.24	30	18	6	12
				17	27.06	25.84	31			14
•	•	•		18	28.65	27.43	33	20	6	16
•	•	•		19	30.24	29.02	34	22	6	16
•	•	•		20	31.89	30.61	36	24†	6	18
				21	33.42	32.20	37			20
•	•	•		22	35.01	33.79	39	24†	6	22
				23	36.61	35.39	40			24
•	•	•		24	38.20	36.98	42	26	6	24
•	•	•		25	39.79	38.57	43	26	6	25
•	•	•		26	41.38	40.16	45	26	6	25
•	•	•		27	42.97	41.75	47	30	8	27
•	•	•		28	44.56	43.34	48	32	8	29
				29	46.15	44.93	50			31
•	•	•		30	47.75	46.53	51	34	8	33
				31	49.34	48.12	53			35
•	•	•		32	50.93	49.71	55	38	8	37
				33	52.52	51.30	56			39
				34	54.11	52.89	58			39
				35	55.70	54.48	59			40
•	•	•		36	57.30	56.08	61	38	8	42
				37	58.89	57.67	62			43
				38	60.48	59.26	64			45
				39	62.07	60.85	66			45
•	•	•		40	63.66	62.44	67	40	8	47
				41	65.25	64.03	69			48
•	•	•		42	66.85	65.63	70	40	8	50
				43	68.44	67.22	72			52
•	•	•		44	70.03	68.81	74	50†	8	52
				45	71.62	70.40	75			54
				46	73.21	71.99	77			56
				47	74.80	73.58	78			58

Pulley Width B <sub>N</sub>		Z no.	d <sub>0</sub>	d <sub>k</sub>	d <sub>B</sub> *	d <sub>N</sub>	bore size			
21	27	36	Bar	teeth	(mm)	(mm)	(mm)	(mm)	d <sub>v</sub>	d <sub>max</sub>
•	•	•		48	76.39	75.17	80	50	8	60
				49	77.99	76.77	82			60
				50	79.58	78.36	83			60
				51	81.17	79.95	85			62
				52	82.76	81.54	86			64
				53	84.35	83.13	88			66
				54	85.94	84.72	90			66
				55	87.54	86.32	91			68
				56	89.13	87.91	93			70
				57	90.72	89.50	94			72
				58	92.31	91.09	96			74
				59	93.90	92.68	97			74
•	•	•		60	95.49	97.27	99	65	8	76
				61	97.08	95.86	101			79
				62	98.68	97.46	102			80
				63	100.27	99.05	104			82
				64	101.86	100.60	105			82
				65	103.45	102.23	107			84
				66	105.04	103.82	109			86
				67	106.63	105.41	110			88
				68	108.23	107.01	112			90
				69	109.82	108.60	113			90
				70	111.41	110.19	115			90
				71	113.00	111.78	117			92
•	•	•		72	114.59	113.37	118	80	8	94
				73	116.18	114.96	120			96
				74	117.77	116.55	121			96
				75	119.37	118.15	123			98
				76	120.96	119.74	125			100
				77	122.55	121.33	126			102
				78	124.14	122.92	128			104
				79	125.73	124.51	129			104
				80	127.32	126.10	131			106
				81	128.92	127.70	133			108
				82	130.51	129.29	134			110
				83	132.10	130.88	136			110

For Pulleys with 84-109 teeth turn to page 6

• Available from stock in Aluminium. Preferred sizes shaded red.

Non Stock sizes available to order

Pulley Order Code Example

Pulley	Width	Type	Teeth	Flanges	Order Code
AL	27	AT5	15	2	AL27AT5/15.2

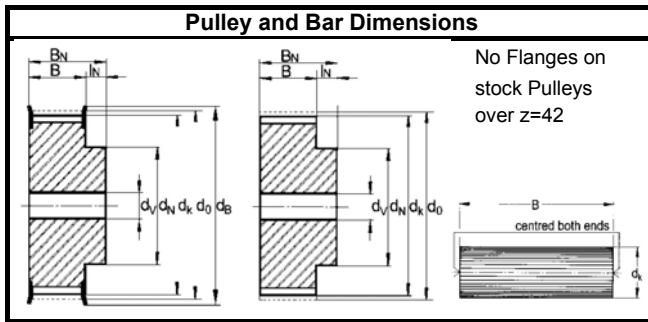
d<sub>0</sub> = Pitch circle diameter

d<sub>k</sub> = Outside diameter

d<sub>N</sub> = Hub Diameter († variable)

d<sub>v</sub>/d<sub>max</sub> = Stock Pulley bore diameter / max. bore

d<sub>B</sub> = Flange diameter (\*approximate)



Reverse Bending		
	Min roller and pulley Ø:	Zmin Ø min
	Standard cord	20 60
	E tension cord	20 50
	Reinforced cord	25 70
	PAR backing	25 60

Normal Use		
	Min roller and pulley Ø:	Zmin Ø min
	Standard cord	15 25
	E tension cord	12 18
	Reinforced cord	24 60
	PAR backing	25 60

Pulley Width B <sub>N</sub>		Z no.	d <sub>0</sub>	d <sub>k</sub>	d <sub>B</sub> *	d <sub>N</sub>	bore size		
21	27	36	Bar	teeth	(mm)	(mm)	(mm)	d <sub>v</sub>	d <sub>max</sub>
				84	133.69	132.47	137		112
				85	135.28	134.06	139		114
				86	136.87	135.65	140		116
				87	138.46	137.24	142		119
				88	140.06	138.84	144		119
				89	141.65	140.43	145		120
				90	143.24	142.02	147		120
				91	144.83	143.61	148		122
				92	146.42	145.20	150		124
				93	148.01	146.79	152		126
				94	149.61	148.39	153		126
				95	151.20	149.98	155		129
				96	152.79	151.57	156		130
				97	154.38	153.16	158		130
				98	155.97	154.75	160		132
				99	157.56	156.34	161		132
				100	159.15	157.93	163		134
				101	160.75	159.53	164		136
				102	162.34	161.12	166		139
				103	163.93	162.71	168		140
				104	165.52	164.30	169		140
				105	167.11	165.89	171		140
				106	168.70	167.48	172		142
				107	170.30	169.08	174		146
				108	171.89	170.67	176		146
				109	173.48	172.26	177		148

• Available from stock in Aluminium. Preferred sizes shaded red.

Non Stock sizes available to order

Pulley Order Code Example

Pulley	Width	Type	Teeth	Flanges	Order Code
AL	27	AT5	15	2	AL27AT5/15.2

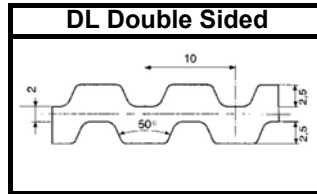
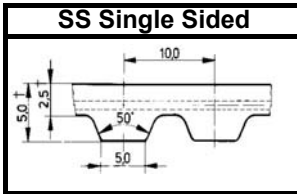
d<sub>0</sub> = Pitch circle diameter

d<sub>k</sub> = Outside diameter

d<sub>N</sub> = Hub Diameter († variable)

d<sub>v</sub>/d<sub>max</sub> = Stock Pulley bore diameter / max. bore

d<sub>B</sub> = Flange diameter (\*approximate)



† 4.5mm and 2mm on Breco belts



TECHNICAL DATA SUMMARY	
Potential Capacity	70kW
Maximum Speed	15000 rpm
Maximum Linear Speed	60 m/s
Allowable Tensile Load $F_{zul}$	1400N/10mm of belt width
Weight Per Meter	0.063kg/10mm of belt width

Standard Belt and Pulley Widths	
Standard belt widths b	16 25 32 50 75 100 150
Pulley face width B	21 30 37 56 81 106 156
Stock pulley width $B_N$	31 40 47 66

Profile/ length	No. of Teeth Z	Synchroflex		Breco M / V		Brecoflex	
		SS	DL	SS	DL	SS	DL
AT10/ 400	40					■	
AT10/ 500	50	●				■	
AT10/ 530	53					■	
AT10/ 560	56	●				■	
AT10/ 580	58	●					
AT10/ 600	60	●					
AT10/ 610	61	●				■	
AT10/ 630	63					■	
AT10/ 660	66	●				■	
AT10/ 700	70	●				■	
AT10/ 720	72					■	
AT10/ 730	73	●					
AT10/ 780	78	●				■	
AT10/ 800	80	●					
AT10/ 810	81					■	
AT10/ 840	84	●				■	
AT10/ 880	88					■	
AT10/ 890	89	●				■	
AT10/ 920	92	●				■	
AT10/ 960	96	●				■	
AT10/ 970	97					■	
AT10/ 980	98	●				■	
AT10/ 1000	100	●					
AT10/ 1010	101	●				■	
AT10/ 1050	105	●				■	
AT10/ 1080	108	●				■	
AT10/ 1100	110	●					
AT10/ 1150	115	●				■	■
AT10/ 1200	120	●					
AT10/ 1210	121	●				■	■
AT10/ 1240	124					■	■
AT10/ 1250	125	●					
AT10/ 1280	128	●					
AT10/ 1300	130	●					
AT10/ 1320	132	●				■	■
AT10/ 1350	135	●					
AT10/ 1360	136	●					

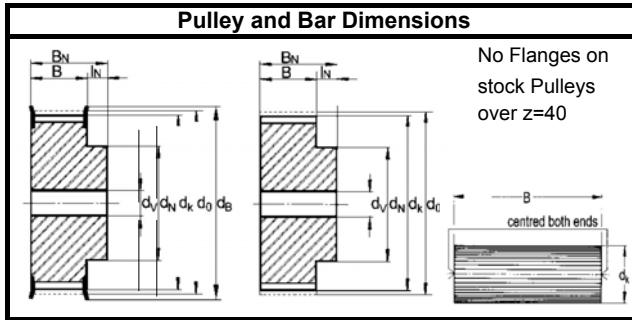
Any joined length available in pitch multiples from 700mm.  
Minimum quantities apply to belts of 10, 12 or 16mm width

Profile/ length	No. of Teeth Z	Synchroflex		Breco M / V		Brecoflex	
		SS	DL	SS	DL	SS	DL
AT10/ 1400	140	●				■	■
AT10/ 1480	148	●					
AT10/ 1500	150	●				■	■
AT10/ 1600	160	●				■	■
AT10/ 1700	170	●				■	■
AT10/ 1720	172	●					
AT10/ 1800	180	●				■	■
AT10/ 1860	186	●					
AT10/ 1900	190					■	■
AT10/ 1940	194	●					
AT10/ 2000	200					■	■
AT10/ 2120	212					■	■
AT10/ 2240	224					■	■
AT10/ 2360	236					■	■
AT10/ 2500	250					■	■
AT10/ 2650	265					■	■
AT10/ 2800	280					■	■
AT10/ 3000	300					■	■
AT10/ 3150	315					■	■
AT10/ 3350	335					■	■
AT10/ 3550	355					■	■
AT10/ 3750	375					■	■
AT10/ 4000	400					■	■
AT10/ 4250	425					■	■
AT10/ 4500	450					■	■
AT10/ 4750	475					■	■
AT10/ 5000	500					■	■
AT10/ 5300	530					■	■
AT10/ 5600	560					■	■
AT10/ 6000	600					■	■
AT10/ 6300	630					■	■
AT10/ 6700	670					■	■
AT10/ 7100	710					■	■
AT10/ 7500	750					■	■
AT10/ 8000	800					■	■
AT10/ 9000	900					■	■

### Belt Order Code Example

Width	Profile	Length	Ordering Code
16	AT10	400	16AT10/400
75	AT10	9000	75AT10/9000

- FLEX=endless, M=open length, V=joined
- Standard belt length, normally held in stock
- Standard belt length, only available to special order
- \* Intermediate lengths available between 1050-22000mm only available to special order. Min quantity will apply



No Flanges on stock Pulleys over z=40

Reverse Bending		
Min roller and pulley Ø:	Zmin	Ø min
Standard cord	25	120
E tension cord	20	80
Reinforced cord	24	80
PAR backing	25	120

Normal Use		
Min roller and pulley Ø:	Zmin	Ø min
Standard cord	15	50
E tension cord	12	50
Reinforced cord	24	120
PAR backing	25	80

Pulley Width B <sub>N</sub>	Z no.	d <sub>0</sub>	d <sub>k</sub>	d <sub>B</sub> *	d <sub>N</sub>	bore size	
31 40 47 66	Bar teeth	(mm)	(mm)	(mm)	(mm)	d <sub>v</sub>	d <sub>max</sub>
	12	38.20	36.43	42			24
	13	41.38	39.61	44			26
	14	44.56	42.79	48			30
• • •	15	47.75	45.98	51	32	8	34
• •	16	50.93	49.10	55	35	8	36
	17	54.11	52.30	58			40
• • • •	18	57.30	55.45	61	40	8	44
• • • •	19	60.48	58.65	64	44	8	46
• • • •	20	63.66	61.80	67	46	8	50
	21	66.85	65.00	70			52
• • • •	22	70.03	68.20	74	50†	8	56
	23	73.21	71.40	76			60
• • • •	24	76.39	74.55	80	58	8	62
• • • •	25	79.58	77.75	82	60	8	66
• • • •	26	82.76	80.90	86	60	8	68
• • • •	27	85.94	84.10	90	60	8	72
• • • •	28	89.13	87.30	93	60	8	74
	29	92.31	90.45	96			78
• • • •	30	98.49	93.65	99	60	8	82
	31	98.68	96.85	102			84
• • • •	32	101.86	100.00	105	65	10	88
	33	105.04	103.20	109			88
	34	108.23	106.40	112			92
	35	111.41	109.60	115			96
• • • •	36	114.59	112.75	118	70	10	98
	37	117.77	115.95	121			101
	38	120.96	119.10	125			104
	39	124.14	122.30	128			106
• • • •	40	127.32	125.50	131	80	10	110
	41	130.51	128.70	134			110
	42	133.69	131.85	137			112
	43	136.87	135.05	140			114
• • • •	44	140.06	138.20	144	90†	16	118
	45	143.24	141.40	147			120
	46	146.42	144.60	150			122
	47	149.61	147.80	153			122

Pulley Width B <sub>N</sub>	Z no.	d <sub>0</sub>	d <sub>k</sub>	d <sub>B</sub> *	d <sub>N</sub>	bore size	
31 40 47 66	Bar teeth	(mm)	(mm)	(mm)	(mm)	d <sub>v</sub>	d <sub>max</sub>
• • • •	48	152.79	150.95	156	95	16	124
	49	155.97	154.15	160			126
	50	159.15	157.30	162			130
	51	162.34	160.50	166			134
	52	165.52	163.70	169			136
	53	168.70	166.85	172			140
	54	171.89	170.05	176			144
	55	175.07	173.25	178			146
	56	178.25	176.40	182			150
	57	181.44	179.60	185			152
	58	184.62	182.80	188			156
	59	187.80	185.95	191			160
• • • •	60	190.99	189.15	195	110	16	162
	61	194.17	192.35	198			164
	62	197.35	195.50	201			166
	63	200.54	198.70	204			170
	64	203.72	201.90	207			171
	65	206.90	205.05	210			174
	66	210.08	208.25	214			175
	67	213.27	211.45	217			177
	68	216.45	214.60	220			181
	69	219.63	217.80	223			185
	70	222.82	221.00	226			187
	71	226.00	224.15	230			191
	72	229.18	227.35	232			193
	73	232.37	230.55	236			197
	74	235.55	233.70	239			201
	75	238.73	236.90	242			203
	76	241.92	240.10	245			207
	77	245.10	243.25	248			209
	78	248.28	246.45	252			213
	79	251.46	249.60	255			215
	80	254.65	252.80	258			219
	81	257.83	256.00	261			223
	82	261.01	259.20	265			225
	83	264.20	262.35	268			229

For pulleys with 84-109 teeth turn to page 9

• Available from stock in Aluminium. Preferred sizes shaded red.

Non Stock sizes available to order

Pulley Order Code Example

Pulley	Width	Type	Teeth	Flanges	Order Code
AL	31	AT10	15	2	AL31AT10/15.2

d<sub>0</sub> = Pitch circle diameter

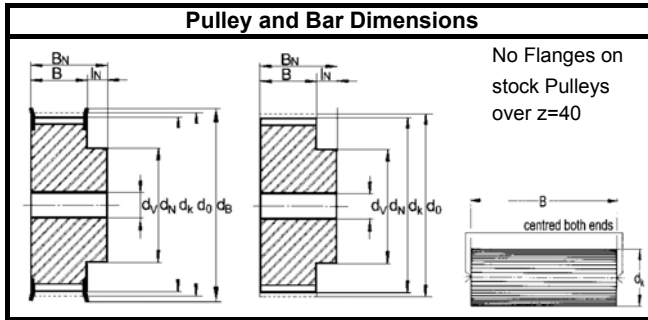
d<sub>k</sub> = Outside diameter

d<sub>N</sub> = Hub Diameter († variable)

d<sub>v</sub>/d<sub>max</sub> = Stock Pulley bore diameter / max. bore

d<sub>B</sub> = Flange diameter (\*approximate)





Reverse Bending			
	Min roller and pulley Ø: Zmin	Ø min	
	Standard cord	25	120
	E tension cord	20	80
	Reinforced cord	24	80
	PAR backing	25	120

Normal Use			
	Min roller and pulley Ø: Zmin	Ø min	
	Standard cord	15	50
	E tension cord	12	50
	Reinforced cord	24	120
	PAR backing	25	80

Pulley Width B <sub>N</sub>	Z no.	d <sub>0</sub>	d <sub>k</sub>	d <sub>B</sub> *	d <sub>N</sub>	bore size
31 40 47 66 Bar	teeth	(mm)	(mm)	(mm)	(mm)	d <sub>v</sub> d <sub>max</sub>
	84	267.38	265.55	271		231
	85	270.56	268.70	274		235
	86	273.75	271.90	277		239
	87	276.93	275.10	280		241
	88	280.11	278.25	284		245
	89	283.30	281.45	287		247
	90	286.48	284.65	290		251
	91	289.66	287.80	293		255
	92	292.85	291.00	296		257
	93	296.03	294.20	300		261
	94	299.32	297.35	302		263
	95	302.39	300.55	306		267
	96	305.58	303.75	309		269
	97	308.76	306.90	312		273
	98	311.94	310.10	315		279
	99	315.13	313.30	318		283
	100	318.31	316.45	322		285
	101	321.49	319.65	325		289
	102	324.68	322.80	328		293
	103	327.86	326.00	332		295
	104	331.04	329.20	335		299
	105	334.23	332.35	338		301
	106	337.41	335.55	341		305
	107	340.59	338.75	344		309
	108	343.77	341.98	347		311
	109	346.96	345.10	351		315

• Available from stock in Aluminium. Preferred sizes shaded red.

Non Stock sizes available to order

Pulley Order Code Example

Pulley	Width	Type	Teeth	Flanges	Order Code
AL	31	AT10	15	<u>2</u>	AL31AT10/15.2

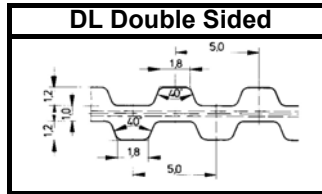
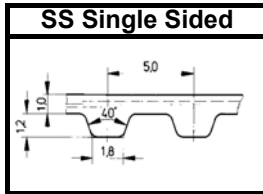
d<sub>0</sub> = Pitch circle diameter

d<sub>k</sub> = Outside diameter

d<sub>N</sub> = Hub Diameter († variable)

d<sub>v</sub>/d<sub>max</sub> = Stock Pulley bore diameter / max. bore

d<sub>B</sub> = Flange diameter (\*approximate)



TECHNICAL DATA SUMMARY	
Potential Capacity	5kW
Maximum Speed	40000 rpm
Maximum Linear Speed	80 m/s
Allowable Tensile Load $F_{zul}$	350N/10mm of belt width
Weight Per Meter	0.024kg/10mm of belt width



Standard Belt and Pulley Widths	
Standard belt widths b	6 10 12 16 20 25 32 50 75
Pulley face width B	11 15 17 21 25 30 37 55 80
Stock pulley width $B_N$	21 27 36

Profile/ length	No. of Teeth Z	Sychroflex		Breco M / V		Brecoflex	
		SS	DL	SS	DL	SS	DL
T5/ 100	20	•					
T5/ 150	30	•	•				
T5/ 165	33	•					
T5/ 180	36	•					
T5/ 185	37	•					
T5/ 200	40	•				■	
T5/ 210	42	•					
T5/ 215	43	•				■	
T5/ 220	44	•				■	
T5/ 225	45	•				■	
T5/ 240	48	•				■	
T5/ 245	49	•				■	
T5/ 250	50	•				■	
T5/ 255	51	•				■	
T5/ 260	52	•	•			■	
T5/ 270	54	•				■	
T5/ 280	56	•				■	
T5/ 295	59	•				■	
T5/ 300	60		•				
T5/ 305	61	•				■	
T5/ 330	66	•				■	
T5/ 340	68	•				■	
T5/ 355	71	•				■	
T5/ 365	73	•				■	
T5/ 370	74					■	
T5/ 390	78	•				■	
T5/ 400	80	•				■	
T5/ 410	82	•	•			■	
T5/ 420	84	•				■	
T5/ 435	87					■	
T5/ 455	91	•				■	
T5/ 460	92	•	•				
T5/ 480	96	•				■	

Profile/ length	No. of Teeth Z	Sychroflex		Breco M / V		Brecoflex	
		SS	DL	SS	DL	SS	DL
T5/ 500	100	•					■
T5/ 505	101	•					
T5/ 510	102	•					■
T5/ 515	103		•				
T5/ 525	105	•	•				■
T5/ 545	109	•					■
T5/ 550	110	•					
T5/ 560	112	•					■
T5/ 575	115	•					■
T5/ 590	118	•	•				
T5/ 610	122	•					■
T5/ 620	124	•	•				■
T5/ 625	125		•				
T5/ 630	126	•					■
T5/ 650	130	•					
T5/ 660	132						■
T5/ 690	138	•					■
T5/ 700	140	•					
T5/ 720	144	•					■
T5/ 725	145	•					
T5/ 750	150	•	•				■
T5/ 755	151						■
T5/ 765	153	•					■
T5/ 780	156	•					■
T5/ 800	160	•					■
T5/ 815	163	•	•				■
T5/ 840	168	•					■
T5/ 860	172		•				
T5/ 900	180	•					■
T5/ 920	184	•					
T5/ 925	185	•					
T5/ 940	188	•	•				
T5/ 945	189						■
T5/ 990	198	•					■
T5/ 1040	208						■
T5/ 1075	215	•					■

Any joined length available in pitch multiples from 500mm.  
Minimum quantities apply to belts of 6, 8, 10, 12 or 16mm width  
Minimum length 650mm  
minimum quantity as per SS

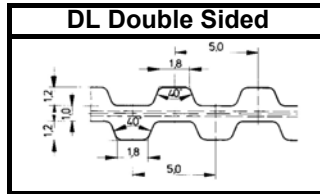
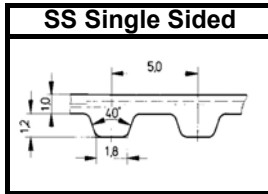
Belt Order Code Example

Width	Profile	Length	Ordering Code
6	T5	225	6 T5/225
20	T5	2000	20 T5/2000

For belts with 220-1500 teeth turn to page 11

FLEX=endless, M=open length, V=joined

- Standard belt length, normally held in stock
- Standard belt length, only available to special order
- \* Intermediate lengths available between 1050-15000mm only available to special order. Min quantity will apply



TECHNICAL DATA SUMMARY	
Potential Capacity	5kW
Maximum Speed	40000 rpm
Maximum Linear Speed	80 m/s
Allowable Tensile Load $F_{zul}$	350N/10mm of belt width
Weight Per Meter	0.024kg/10mm of belt width



Standard Belt and Pulley Widths	
Standard belt widths b	6 10 12 16 20 25 32 50 75
Pulley face width B	11 15 17 21 25 30 37 55 80
Stock pulley width $B_N$	21 27 36

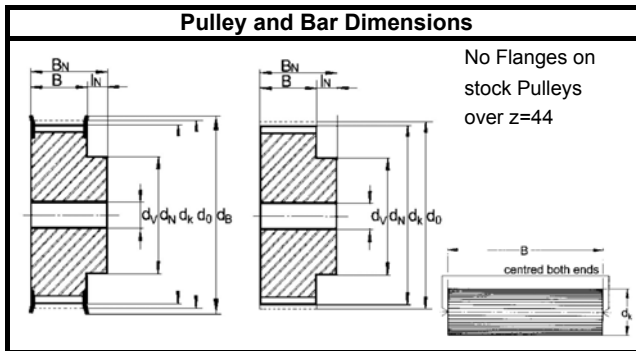
Profile/ length	No. of Teeth Z	Sychroflex		Breco M / V		Brecoflex	
		SS	DL	SS	DL	SS	DL
T5/ 1100	220	•	•			■	■
T5/ 1160	232	•					
T5/ 1215	243	•				■	■
T5/ 1315	263	•					
T5/ 1325	265		•				
T5/ 1380	276	•				■	■
T5/ 1400	280					■	■
T5/ 1500	300	•				■	■
T5/ 1600	320					■	■
T5/ 1700	340					■	■
T5/ 1800	360					■	■
T5/ 1900	380					■	■
T5/ 2000	400					■	■
T5/ 2120	424					■	■
T5/ 2240	448					■	■
T5/ 2360	472					■	■
T5/ 2500	500					■	■
T5/ 2650	530					■	■
T5/ 2800	560					■	■
T5/ 3000	600					■	■
T5/ 3150	630					■	■
T5/ 3350	670					■	■
T5/ 3550	710					■	■
T5/ 3750	750					■	■
T5/ 4000	800					■	■
T5/ 4250	850					■	■
T5/ 4500	900					■	■
T5/ 4750	950					■	■
T5/ 5000	1000					■	■
T5/ 5300	1060					■	■
T5/ 5600	1120					■	■
T5/ 6000	1200					■	■
T5/ 6300	1260					■	■
T5/ 6700	1340					■	■
T5/ 7100	1420					■	■
T5/ 7500	1500					■	■

Any joined length available in pitch multiples from 500mm.  
 Minimum quantities apply to belts of 6, 8, 10, 12 or 16mm width  
 Minimum length 650mm  
 minimum quantity as per SS

**Belt Order Code Example**

Width	Profile	Length	Ordering Code
6	T5	225	6T5/225
20	T5	2000	20T5/2000

- FLEX=endless, M=open length, V=joined
- Standard belt length, normally held in stock
  - Standard belt length, only available to special order
  - \* Intermediate lengths available between 1050-15000mm only available to special order. Min quantity will apply



Pulley Width B <sub>N</sub>			Z no.	d <sub>0</sub>	d <sub>k</sub>	d <sub>B</sub> *	d <sub>N</sub>	bore size		
21	27	36	Bar teeth	(mm)	(mm)	(mm)	(mm)	d <sub>v</sub>	d <sub>max</sub>	
•	•	•	125	10	15.92	15.05	20	8	-	6
•	•	•	125	11	17.51	16.65	22			6
•	•	•	125	12	19.10	18.25	23	12†	-	6
•	•	•	125	13	20.69	19.85	25			8
•	•	•	132	14	22.28	21.45	26	14	-	8
•	•	•	132	15	23.87	23.05	28	16	6	10
•	•	•	140	16	25.46	24.60	30	18	6	12
•	•	•	140	17	27.06	26.20	31			14
•	•	•	140	18	28.67	27.80	33	20	6	16
•	•	•	140	19	30.24	29.40	34	22	6	16
•	•	•	140	20	31.83	31.00	36	24†	6	18
•	•	•	160	21	33.42	32.60	37			20
•	•	•	160	22	35.01	34.15	39	24	6	22
•	•	•	160	23	36.61	35.75	40			24
•	•	•	160	24	38.20	37.35	42	26	6	24
•	•	•	160	25	39.79	38.95	43	26	6	25
•	•	•	160	26	41.38	40.55	45	26	6	25
•	•	•	160	27	42.97	42.15	47	30	8	27
•	•	•	160	28	44.56	43.75	48	32	8	29
•	•	•	160	29	46.15	45.30	50			31
•	•	•	160	30	47.75	46.90	51	34	8	33
•	•	•	160	31	49.34	48.50	53			35
•	•	•	160	32	50.93	50.10	55	38	8	37
•	•	•	160	33	52.52	51.70	56			39
•	•	•	160	34	54.11	53.30	58			39
•	•	•	160	35	55.70	54.85	59			40
•	•	•	160	36	57.30	56.45	61	38	8	42
•	•	•	160	37	58.89	58.05	62			43
•	•	•	160	38	60.48	59.65	64			45
•	•	•	160	39	62.07	61.25	66			45
•	•	•	160	40	63.66	62.85	67	40	8	47
•	•	•	160	41	65.25	64.40	69			48
•	•	•	160	42	66.85	66.00	70	40	8	50
•	•	•	160	43	68.44	67.60	72			52
•	•	•	160	44	70.03	69.20	74	45	8	52

<b>Reverse Bending</b>										
		Min roller and pulley Ø:		Zmin	Ø min					
		Standard cord		15	30					
		E tension cord		12	18					
		Reinforced cord		*	*					
		PAR backing		25	40					
* Please consult our sales department										
<b>Normal Use</b>										
		Min roller and pulley Ø:		Zmin	Ø min					
		Standard cord		10	30					
		E tension cord		10	18					
		Reinforced cord		*	*					
		PAR backing		25	40					
* Please consult our sales department										
Pulley Width B <sub>N</sub>										
21	27	36	Bar teeth	d <sub>0</sub>	d <sub>k</sub>	d <sub>B</sub> *	d <sub>N</sub>	bore size		
				(mm)	(mm)	(mm)	(mm)	d <sub>v</sub>	d <sub>max</sub>	
			160	45	71.62	70.80	75			54
			160	46	73.21	72.40	77			56
				47	74.80	73.95	78			58
•	•	•	160	48	76.39	75.55	80	50	8	60
				49	77.99	77.15	82			60
			160	50	79.58	78.75	83			60
				51	81.17	80.35	85			62
				52	82.76	81.95	86			64
				53	84.35	83.55	88			66
				54	85.94	85.10	90			66
				55	87.54	86.70	91			68
				56	89.13	88.30	93			70
				57	90.72	89.90	94			72
				58	92.31	91.50	96			74
				59	93.90	93.10	97			74
•	•	•	160	60	95.49	94.65	99	65	8	76
				61	97.08	96.25	101			79
				62	98.68	97.85	102			80
				63	100.27	99.45	104			82
				64	101.86	101.05	105			82
				65	103.45	102.65	107			84
				66	105.04	104.20	109			86
				67	106.63	105.80	110			88
				68	108.23	107.40	112			90
				69	109.82	109.00	113			90
				70	111.41	110.60	115			90
				71	113.00	112.20	117			92
			160	72	114.59	113.75	118			94
				73	116.18	115.35	120			96
				74	117.77	116.95	121			96
				75	119.37	118.55	123			98
				76	120.96	120.15	125			100
				77	122.55	121.75	126			102
				78	124.14	123.35	128			104
				79	125.73	124.90	129			104

For pulleys with 82-107 teeth turn to page 13

d<sub>0</sub> = Pitch circle diameter

d<sub>k</sub> = Outside diameter

d<sub>N</sub> = Hub Diameter († variable)

d<sub>v</sub>/d<sub>max</sub> = Stock Pulley bore diameter / max. bore

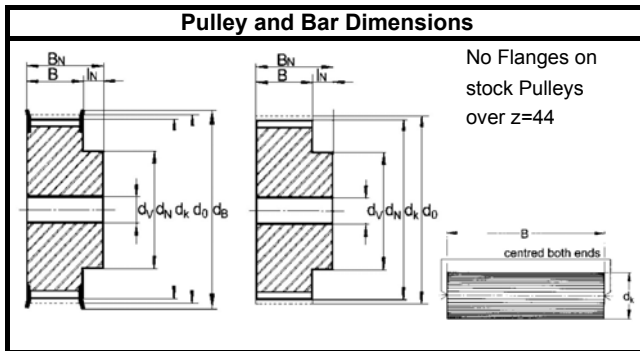
d<sub>B</sub> = Flange diameter (\*approximate)

• Available from stock in Aluminium. Preferred sizes shaded red.

Non Stock sizes available to order

Pulley Order Code Example

Pulley	Width	Type	Teeth	Flanges	Order Code
AL	27	T5	15	2	AL27T5/15.2



Reverse Bending			
	Min roller and pulley Ø:	Zmin	Ø min
	Standard cord	15	30
	E tension cord	12	18
	Reinforced cord	*	*
	PAR backing	25	40
* Please consult our sales department			
Normal Use			
	Min roller and pulley Ø:	Zmin	Ø min
	Standard cord	10	30
	E tension cord	10	18
	Reinforced cord	*	*
	PAR backing	25	40
* Please consult our sales department			

Pulley Width B <sub>N</sub>		Z no.	d <sub>0</sub>	d <sub>k</sub>	d <sub>B</sub> *	d <sub>N</sub>	bore size	
21	27	36	Bar	teeth	(mm)	(mm)	(mm)	
							d <sub>v</sub> d <sub>max</sub>	
				80	127.32	126.50	131	106
				81	128.92	128.10	133	108
				82	130.51	129.70	134	110
				83	132.10	131.30	136	110
				84	133.69	132.90	137	112
				85	135.28	134.45	139	114
				86	136.87	136.05	140	116
				87	138.46	137.65	142	119
				88	140.06	139.25	144	119
				89	141.65	140.85	145	120
				90	143.24	142.45	147	120
				91	144.83	144.00	148	122
				92	146.42	145.60	150	124
				93	148.01	147.20	152	126
				94	149.61	148.80	153	126
				95	151.20	150.40	155	129
				96	152.79	152.00	156	130
				97	154.38	153.55	158	130
				98	155.97	155.15	160	132
				99	157.56	156.75	161	132
				100	159.15	158.35	163	134
				101	160.75	159.95	164	136
				102	162.34	161.55	166	139
				103	163.93	163.15	168	140
				104	165.52	164.70	169	140
				105	167.11	166.30	171	140
				106	168.70	167.90	172	142
				107	170.30	169.50	174	146

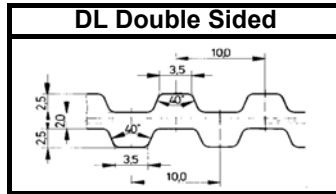
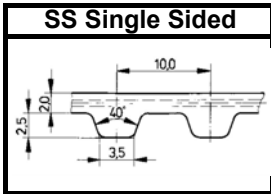
• Available from stock in Aluminium. Preferred sizes shaded red.

Non Stock sizes available to order

Pulley Order Code Example

Pulley	Width	Type	Teeth	Flanges	Order Code
AL	27	T5	15	2	AL27T5/15.2

d<sub>0</sub> = Pitch circle diameter  
d<sub>k</sub> = Outside diameter  
d<sub>N</sub> = Hub Diameter († variable)  
d<sub>v</sub>/d<sub>max</sub> = Stock Pulley bore diameter / max. bore  
d<sub>B</sub> = Flange diameter (\*approximate)



TECHNICAL DATA SUMMARY	
Potential Capacity	30kW
Maximum Speed	15000 rpm
Maximum Linear Speed	60 m/s
Allowable Tensile Load $F_{zul}$	720N/10mm of belt width
Wieght Per Meter	0.048kg/10mm of belt width



Standard Belt and Pulley Widths	
Standard belt widths b	12 16 20 25 32 50 75 100 150
Pulley face width B	17 21 25 30 37 56 81 106 156
Stock pulley width $B_N$	31 40 47 66

Profile/ length	No. of Teeth Z	Synchroflex		Breco M / V		Brecoflex	
		SS	DL	SS	DL	SS	DL
T10/ 260	26	•	•				
T10/ 320	32						
T10/ 370	37	•					
T10/ 410	41	•					
T10/ 440	44	•					
T10/ 500	50	•				■	
T10/ 530	53	•	•			■	
T10/ 560	56	•				■	
T10/ 600	60	•				■	
T10/ 610	61	•				■	
T10/ 630	63	•	•			■	
T10/ 660	66	•	•			■	
T10/ 680	68	•				■	
T10/ 690	69	•				■	
T10/ 700	70	•				■	
T10/ 720	72	•	•			■	
T10/ 730	73	•				■	
T10/ 750	75	•				■	
T10/ 760	76	•				■	
T10/ 780	78	•				■	
T10/ 810	81	•				■	
T10/ 840	84	•	•			■	
T10/ 850	85	•				■	
T10/ 880	88	•				■	
T10/ 890	89	•				■	
T10/ 920	92	•				■	
T10/ 960	96	•				■	
T10/ 970	97	•				■	
T10/ 980	98	•	•			■	
T10/ 990	99	•				■	
T10/ 1010	101	•				■	
T10/ 1080	108	•				■	■
T10/ 1110	111	•				■	■
T10/ 1140	114	•				■	■
T10/ 1150	115	•				■	■
T10/ 1210	121	•	•			■	■

Any joined length available in pitch multiples from 480mm  
Minimum quantities apply to belts of 10, 12 or 16mm width

Any joined length available in pitch multiples from 800mm  
Minimum quantities apply to belts of 10, 12 or 16mm width

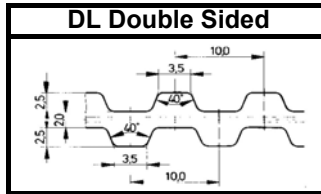
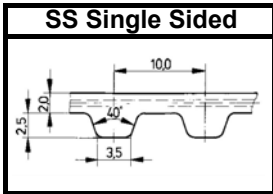
Profile length	No. of Teeth Z	Synchroflex		Breco M / V		Brecoflex	
		SS	DL	SS	DL	SS	DL
T10/ 1240	124	•	•			■	■
T10/ 1250	125	•	•			■	■
T10/ 1300	130	•					
T10/ 1320	132	•	•			■	■
T10/ 1350	135	•	•			■	■
T10/ 1390	139	•				■	■
T10/ 1400	140	•				■	■
T10/ 1420	142	•	•			■	■
T10/ 1450	145	•					
T10/ 1460	146	•				■	■
T10/ 1500	150	•				■	■
T10/ 1560	156	•				■	■
T10/ 1610	161	•	•			■	■
T10/ 1750	175	•				■	■
T10/ 1780	178	•				■	■
T10/ 1880	188	•	•			■	■
T10/ 1960	196	•				■	■
T10/ 2250	225	•				■	■
T10/ 2360	236					■	■
T10/ 2500	250					■	■
T10/ 2650	265					■	■
T10/ 2800	280					■	■
T10/ 3000	300					■	■
T10/ 3100	310	•				■	■
T10/ 3150	315					■	■
T10/ 3350	335					■	■
T10/ 3750	375					■	■
T10/ 4000	400					■	■
T10/ 4250	425					■	■
T10/ 4500	450					■	■
T10/ 4750	475					■	■
T10/ 4780	478	•	•			■	■
T10/ 5000	500					■	■
T10/ 5300	530					■	■
T10/ 5600	560					■	■
T10/ 6000	600					■	■

For Belts with 630-900 teeth turn to page 15

Belt Order Code Example

Width	Profile	Length	Ordering Code
12	T10	260	12T10/260
150	T10	6000	150T10/6000

- FLEX=endless, M=open length, V=joined
- Standard belt length, normally held in stock
  - Standard belt length, only available to special order
  - \* Intermediate lengths available between 1050-22000mm only available to special order. Min quantity will apply



TECHNICAL DATA SUMMARY	
Potential Capacity	30kW
Maximum Speed	15000 rpm
Maximum Linear Speed	60 m/s
Allowable Tensile Load $F_{zul}$	720N/10mm of belt width
Weight Per Meter	0.048kg/10mm of belt width



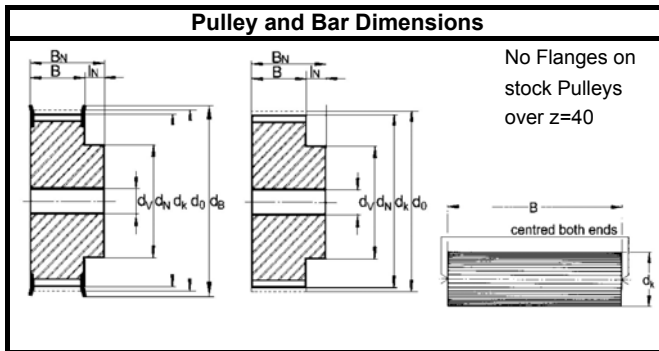
Standard Belt and Pulley Widths	
Standard belt widths b	12 16 20 25 32 50 75 100 150
Pulley face width B	17 21 25 30 37 56 81 106 156
Stock pulley width $B_N$	31 40 47 66

Profile/ length	No. of Teeth Z	Synchroflex		Breco M / V		Brecoflex	
		SS	DL	SS	DL	SS	DL
T10/ 6300	630			↑	↑	■	■
T10/ 6700	670			↑	↑	■	■
T10/ 7100	710			↑	↑	■	■
T10/ 7500	750			↑	↑	■	■
T10/ 8000	800			↑	↑	■	■
T10/ 9000	900			↓	↓	■	■

**Belt Order Code Example**

Width	Profile	Length	Ordering Code
12	T10	260	12T10/260
150	T10	6000	150T10/6000

- FLEX=endless, M=open length, V=joined
- Standard belt length, normally held in stock
- Standard belt length, only available to special order
- \* Intermediate lengths available between 1050-22000mm only available to special order. Min quantity will apply



**Reverse Bending**

Min roller and pulley Ø:	Zmin	Ø min
Standard cord	20	60
E tension cord	15	50
Reinforced cord	*	*
PAR backing	25	80

\* Please consult our sales department

**Normal Use**

Min roller and pulley Ø:	Zmin	Ø min
Standard cord	12	60
E tension cord	12	50
Reinforced cord	*	*
PAR backing	25	80

\* Please consult our sales department

Pulley Width B <sub>N</sub>		Z no.	d <sub>0</sub>	d <sub>k</sub>	d <sub>B</sub> *	d <sub>N</sub>	bore size					
31	40	47	66	Bar	teeth	(mm)	(mm)	(mm)	(mm)	d <sub>v</sub>	d <sub>max</sub>	
•	•				140	12	38.20	36.35	42	28	6	24
					140	13	41.38	39.55	45			26
•	•				160	14	44.56	42.70	48	32	8	30
•	•				160	15	47.75	45.90	51	32	8	34
•	•				160	16	50.93	49.10	55	35	8	36
					160	17	54.11	52.25	58			40
•	•	•	•		160	18	57.30	55.45	61	40	8	44
•	•	•	•		160	19	60.48	58.65	64	44	8	46
•	•	•	•		160	20	63.66	61.80	67	46	8	50
					160	21	66.85	65.00	70			52
•	•	•	•		160	22	70.03	68.20	74	52	8	56
					160	23	73.21	71.35	76			60
•	•	•	•		160	24	76.39	74.55	80	58	8	62
•	•	•	•		160	25	79.58	77.75	82	60	8	66
•	•	•	•		160	26	82.76	80.90	86	60	8	68
•	•	•	•		160	27	85.94	84.10	90	60	8	72
•	•	•	•		160	28	89.13	87.25	93	60	8	76
					160	29	92.31	90.45	96			78
•	•	•	•		160	30	95.49	93.65	99	60	8	82
					160	31	98.68	96.80	102			84
•	•	•	•		160	32	101.86	100.00	105	65	10	88
					160	33	105.04	103.20	109			88
					160	34	108.23	106.35	112			92
•	•	•	•		160	35	111.41	109.55	115			96
•	•	•	•		160	36	114.59	112.75	118	70	10	98
					160	37	117.77	115.90	121			101
					160	38	120.96	119.10	125			104
					160	39	124.14	122.30	128			106
•	•	•	•		160	40	127.32	125.45	131	80	10	110
					160	41	130.51	128.65	134			110
					160	42	133.69	131.85	137			112
					160	43	136.87	135.00	140			114
•	•	•	•		160	44	140.06	138.20	144	88	16	118
					160	45	143.24	141.40	147			120
					160	46	146.42	144.55	150			122

Pulley Width B <sub>N</sub>		Z no.	d <sub>0</sub>	d <sub>k</sub>	d <sub>B</sub> *	d <sub>N</sub>	bore size				
31	40	47	66	Bar	teeth	(mm)	(mm)	(mm)	(mm)	d <sub>v</sub>	d <sub>max</sub>
					47	149.61	147.75	153			122
•	•	•	•	160	48	152.79	150.95	156	95	16	124
					49	155.97	154.10	160			126
					50	159.15	157.30	162			130
					51	162.34	160.50	166			134
					52	165.52	163.65	169			136
					53	168.70	166.85	172			140
					54	171.89	170.05	176			144
					55	175.07	173.20	178			146
					56	178.25	176.40	182			150
					57	181.44	179.60	185			152
					58	184.62	182.75	188			156
					59	187.80	185.95	191			160
•	•	•	•	160	60	190.99	189.15	195	110	16	162
					61	194.17	192.30	198			164
					62	197.35	195.50	201			166
					63	200.54	198.70	204			170
					64	203.72	201.85	207			171
					65	206.90	205.05	210			174
					66	210.08	208.25	214			175
					67	213.27	211.40	217			177
					68	216.45	214.60	220			181
					69	219.63	217.80	223			185
					70	222.82	220.95	226			187
					71	226.00	224.15	230			191
				160	72	229.18	227.35	232			193
					73	232.37	230.50	236			197
					74	235.55	233.70	239			201
					75	238.73	236.90	242			203
					76	241.92	240.05	245			207
					77	245.10	243.25	248			209
					78	248.28	246.40	252			213
					79	251.46	249.60	255			215
					80	254.65	252.80	258			219
					81	257.83	255.95	261			223

• Available from stock in Aluminium. Preferred sizes shaded red.

Non Stock sizes available to order

Pulley Order Code Example

Pulley	Width	Type	Teeth	Flanges	Order Code
AL	31	T10	15	2	AL31T10/15.2

For pulleys with 84-109 teeth turn to page 17

d<sub>0</sub> = Pitch circle diameter

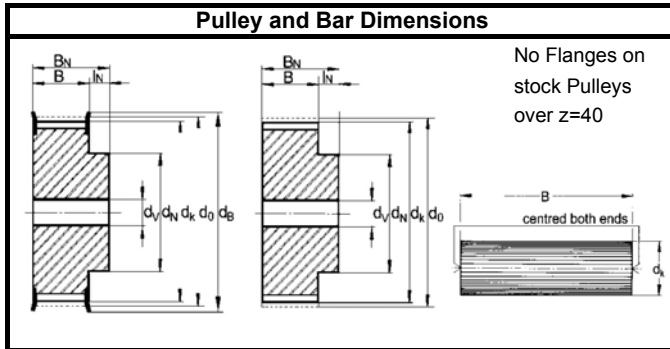
d<sub>k</sub> = Outside diameter

d<sub>N</sub> = Hub Diameter († variable)

d<sub>v</sub>/d<sub>max</sub> = Stock Pulley bore diameter / max. bore

d<sub>B</sub> = Flange diameter (\*approximate)





Pulley Width B <sub>N</sub>		Z no. teeth	d <sub>0</sub> (mm)	d <sub>k</sub> (mm)	d <sub>B</sub> * (mm)	d <sub>N</sub> (mm)	bore size	
31	40						47	66
		82	261.01	259.15	265			225
		83	264.20	262.35	268			229
		84	267.38	265.50	271			231
		85	270.56	268.70	274			235
		86	273.75	271.90	277			239
		87	276.93	275.05	280			241
		88	280.11	278.25	284			245
		89	283.30	281.45	287			247
		90	286.48	284.60	290			251
		91	289.66	287.80	293			255
		92	292.85	291.00	296			257
		93	296.03	294.15	300			261
		94	299.21	297.35	302			263
		95	302.39	300.55	306			267
		96	305.58	303.70	309			269
		97	308.76	306.90	312			273
		98	311.94	310.10	315			279
		99	315.13	313.25	318			283
		100	318.31	316.45	322			285
		101	321.49	319.65	325			289
		102	324.68	322.80	328			293
		103	327.86	326.00	332			295
		104	331.04	329.20	335			299
		105	334.23	322.35	338			301
		106	337.41	335.55	341			305
		107	340.59	338.75	344			309
		108	343.77	341.90	347			311
		109	346.96	345.10	351			315

Reverse Bending		
	Min roller and pulley Ø:	Zmin Ø min
	Standard cord	20 60
	E tension cord	15 50
	Reinforced cord	* *
	PAR backing	25 80
* Please consult our sales department		
Normal Use		
	Min roller and pulley Ø:	Zmin Ø min
	Standard cord	12 60
	E tension cord	12 50
	Reinforced cord	* *
	PAR backing	25 80
* Please consult our sales department		

• Available from stock in Aluminium. Preferred sizes shaded red.

Non Stock sizes available to order

Pulley Order Code Example

Pulley	Width	Type	Teeth	Flanges	Order Code
AL	31	T10	15	<u>2</u>	AL31T10/15.2

d<sub>0</sub> = Pitch circle diameter

d<sub>k</sub> = Outside diameter

d<sub>N</sub> = Hub Diameter († variable)

d<sub>v</sub>/d<sub>max</sub> = Stock Pulley bore diameter / max. bore

d<sub>B</sub> = Flange diameter (\*approximate)