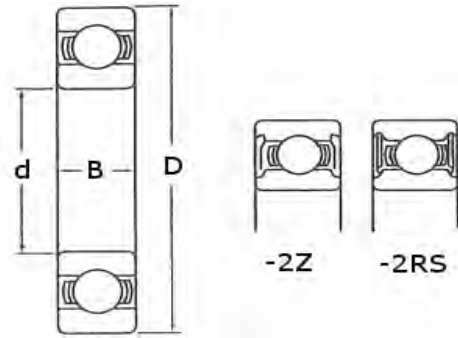


**Single Row Radial
Ball Bearings Metric**

Primary Dimensions			Bearing Code	Variants		
d	D	B		OPEN	ZZ	-2RS
mm						
10	19	5	61800	*	*	*
	22	6	61900	*	*	*
	26	8	6000	*	*	*
	30	9	6200	*	*	*
	35	11	6300	*	*	*
12	21	5	61801	*	*	*
	24	6	61901	*	*	*
	28	8	6001	*	*	*
	32	10	6201	*	*	*
	37	12	6301	*	*	*
15	24	5	61802	*	*	*
	28	7	61902	*	*	*
	32	9	6002	*	*	*
	35	11	6202	*	*	*
	42	13	6302	*	*	*
17	26	5	61803	*	*	*
	30	7	61903	*	*	*
	35	10	6003	*	*	*
	40	12	6203	*	*	*
	47	14	6303	*	*	*
	62	17	6403	*	*	*
20	32	7	61804	*	*	*
	37	9	61904	*	*	*
	42	8	16004	*	*	*
	42	12	6004	*	*	*
	47	14	6204	*	*	*
	52	15	6304	*	*	*
	72	19	6404	*	*	*
25	37	7	61805	*	*	*
	42	9	61905	*	*	*
	47	8	16005	*	*	*
	47	12	6005	*	*	*
	52	15	6205	*	*	*
	62	17	6305	*	*	*
	80	21	6405	*	*	*

Primary Dimensions			Bearing Code	Variants		
d	D	B		OPEN	ZZ	-2RS
mm						
30	42	7	61806	*	*	*
	47	9	61906	*	*	*
	55	9	16006	*	*	*
	55	13	6006	*	*	*
	62	16	6206	*	*	*
	72	19	6306	*	*	*
	90	23	6406	*	*	*
35	47	7	61807	*	*	*
	55	10	61907	*	*	*
	62	9	16007	*	*	*
	62	14	6007	*	*	*
	72	17	6207	*	*	*
	80	21	6307	*	*	*
	100	25	6407	*	*	*
40	52	7	61808	*	*	*
	62	12	61908	*	*	*
	68	9	16008	*	*	*
	68	15	6008	*	*	*
	80	18	6208	*	*	*
	90	23	6308	*	*	*
	110	27	6408	*	*	*
45	58	7	61809	*	*	*
	68	12	61909	*	*	*
	75	10	16009	*	*	*
	75	16	6009	*	*	*
	85	19	6209	*	*	*
	100	25	6309	*	*	*
	120	29	6409	*	*	*
50	65	7	61810	*	*	*
	72	12	61910	*	*	*
	80	10	16010	*	*	*
	80	16	6010	*	*	*
	90	20	6210	*	*	*
	110	27	6310	*	*	*
	130	31	6410	*	*	*

If a dimension is critical to your application please contact our sales department for confirmation.
Please note : errors and omissions excepted.



Single Row Radial Ball Bearings Metric

Primary Dimensions			Bearing Code	Variants		
d	D	B		OPEN	ZZ	-2RS
mm						
55	72	9	61811	*	*	*
	80	13	61911	*	*	*
	90	11	16011	*		
	90	18	6011	*	*	*
	100	21	6211	*	*	*
	120	29	6311	*	*	*
	140	33	6411	*		
60	78	10	61812	*	*	*
	85	13	61912	*	*	*
	95	11	16012	*		
	95	18	6012	*	*	*
	110	22	6212	*	*	*
	130	31	6312	*	*	*
	150	35	6412	*		
65	85	10	61813	*	*	*
	90	13	61913	*	*	
	100	11	16013	*		
	100	18	6013	*	*	*
	120	23	6213	*	*	*
	140	33	6313	*	*	*
	160	37	6413	*		
70	90	10	61814	*	*	*
	100	16	61914	*	*	*
	110	13	16014	*		
	110	20	6014	*	*	*
	125	24	6214	*	*	*
	150	35	6314	*	*	*
	180	42	6414	*		
75	95	10	61815	*	*	*
	105	16	61915	*	*	*
	115	13	16015	*		
	115	20	6015	*	*	*
	130	25	6215	*	*	*
	160	37	6315	*	*	*
	190	45	6415	*		

Primary Dimensions			Bearing Code	Variants		
d	D	B		OPEN	ZZ	-2RS
mm						
80	100	10	61816	*	*	*
	110	16	61916	*	*	*
	125	14	16016	*		
	125	22	6016	*	*	*
	140	26	6216	*	*	*
	170	39	6316	*	*	*
	200	48	6416	*		
85	110	13	61817	*	*	*
	130	14	16017	*		
	130	22	6017	*		*
	150	28	6217	*	*	*
	180	41	6317	*	*	
	210	52	6417	*		
90	115	13	61818	*	*	*
	140	16	16018	*		
	140	24	6018	*		
	160	30	6218	*	*	*
	190	43	6318	*	*	
	225	54	6418	*		
95	120	13	61819	*	*	*
	145	16	16019	*		
	145	24	6019	*		*
	170	32	6219	*		
	200	45	6319	*		
100	125	13	61820	*	*	*
	150	16	16020	*		
	150	24	6020	*		
	180	34	6220	*		
	215	47	6320	*		
	250	58	6420	*		
105	130	13	61821	*	*	*
	160	26	6021	*		
	190	36	6221	*		
	225	49	6321	*		

If a dimension is critical to your application please contact our sales department for confirmation.
Please note : errors and omissions excepted.