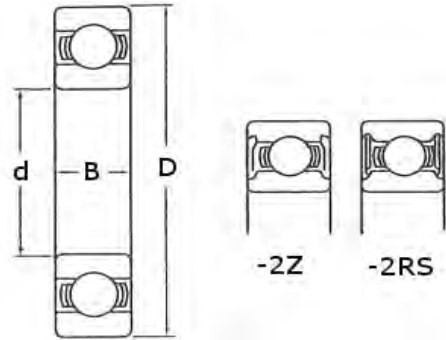


Single Row Radial Ball Bearings Imperial

Primary Dimensions			Bearing Code	Variants		
d	D	B		OPEN	ZZ	-2RS
Inch						
1/8	3/8	5/32	KLNJ1/8	*		
3/16	1/2	5/32	KLNJ3/16	*		
1/4	3/4	7/32	KLNJ1/4	*		
	3/4	9/32	KLNJ1/4*)		*	*
3/8	7/8	7/32	KLNJ3/8	*		
	7/8	9/32	(KLNJ3/8*)		*	*
	1 1/2	9/16	MJ3/8	*		
1/2	1 1/8	1/4	KLNJ1/2	*		
	1 1/8	5/16	(KLNJ1/2)		*	*
	1 5/16	3/8	LJ1/2	*	*	*
5/8	1 5/8	5/8	MJ1/2	*		
	1 3/8	9/32	KLNJ5/8	*		
	1 3/8	11/32	(KLNJ5/8)		*	*
3/4	1 13/16	7/16	LJ5/8	*	*	*
	1 13/16	5/8	MJ5/8	*	*	*
	1 5/8	5/16	KLNJ3/4	*		
7/8	1 5/8	7/16	KLNJ(3/4)		*	
	1 7/8	9/16	LJ3/4	*	*	*
	2	11/16	MJ3/4	*	*	*
1	1 7/8	3/8	KLNJ7/8	*		
	1 7/8	1/2	(KLNJ7/8)		*	
	2	9/16	LJ7/8	*	*	*
1 1/8	2 1/4	11/16	MJ7/8	*	*	*
	2	3/8	KLNJ1	*		
	2	1/2	(KLNJ1)		*	*
1 1/4	2 1/4	5/8	LJ1	*	*	*
	2 1/2	3/4	MJ1	*	*	*
	2 1/8	3/8	KLNJ1 1/8	*		
1 1/2	2 1/2	5/8	LJ1 1/8	*	*	*
	2 13/16	13/16	MJ1 1/8	*		
	2 1/4	3/8	KLNJ1 1/4	*		
1 3/8	2 1/4	1/2	(KLNJ1 1/4)		*	
	2 3/4	1 1/16	LJ1 1/4	*	*	*
	3 1/8	7/8	MJ1 1/4	*	*	*
1 3/8	21/2	7/16	KLNJ1 3/8	*		

Primary Dimensions			Bearing Code	Variants		
d	D	B		OPEN	ZZ	-2RS
Inch						
1 3/8	2 9/16	9/16	XLJ1 3/8	*		
	3	11/16	LJ1 3/8	*	*	*
	3/12	7/8	MJ1 3/8	*	*	
1 1/2	2 5/8	7/16	KLNJ1 1/2	*		
	2 11/16	9/16	XLJ1 1/2	*		
	3 1/4	11/16	LJ1 1/2	*	*	*
1 5/8	3 3/4	7/8	MJ1 1/2	*	*	*
	2 7/8	9/16	XLJ1 5/8	*		
	3 1/2	3/4	LJ1 5/8	*	*	*
1 3/4	4	15/16	MJ1 5/8	*	*	*
	3	9/16	XLJ1 3/4	*		
	3 3/4	13/16	LJ1 3/4	*	*	
1 7/8	4 1/4	11/16	MJ1 3/4	*	*	
	3 3/16	5/8	XLJ1 7/8	*		
	4	13/16	LJ1 7/8	*		
2	4 1/2	1 1/16	MJ1 7/8	*		
	3 5/16	5/8	XLJ2	*		
	4	13/16	LJ2	*		
2 1/4	4 1/2	1 1/16	MJ2	*		
	3 9/16	5/8	XLJ2 1/4	*		
	4 1/2	7/8	LJ2 1/4	*		
2 1/2	5	1 1/4	MJ2 1/4	*		
	3 7/8	11/16	XLJ2 1/2	*		
	5	15/16	LJ2 1/2	*		
2 3/4	5 1/2	1 1/4	MJ2 1/2	*		
	4 1/4	11/16	XLJ2 3/4	*		
	5 1/4	15/16	LJ2 3/4	*		
3	6 1/4	13/8	MJ2 3/4	*		
	4 1/2	3/4	XLJ3	*		
	5 3/4	11/16	LJ3	*		
3 1/4	7	1 9/16	MJ3	*		
	4 3/4	3/4	XLJ3 1/4	*		
	6	11/16	LJ3 1/4	*		
3 3/8	7 1/2	1 9/16	MJ3 1/4	*		
	7 1/2	1 9/16	MJ33/8	*		

If a dimension is critical to your application please contact our sales department for confirmation.
Please note : errors and omissions excepted.



Single Row Radial Ball Bearings Imperial

Primary Dimensions			Bearing Code	Variants		
d	D	B		OPEN	ZZ	-2RS
Inch						
3 1/2	5	3/4	XLJ31/2	*		
	6 1/2	1 1/8	LJ31/2	*		
	8 1/8	1 3/4	MJ31/2	*		
3 3/4	5 1/4	3/4	XLJ33/4	*		
	6 3/4	1 1/8	LJ33/4	*		
	8 1/4	1 3/4	MJ33/4	*		
4	5 5/8	7/8	XLJ4E	*		
	7 1/4	1 1/4	LJ4E	*		
	8 1/2	1 3/4	MJ4E	*		
4 1/4	6	7/8	XLJ41/4	*		
	7 1/2	1 1/4	LJ41/4	*		
	8 3/4	1 3/4	MJ41/4	*		
4 1/2	6 1/4	7/8	XLJ41/2	*		
	8	15/16	LJ41/2	*		
	9 3/8	2	MJ41/2	*		
4 3/4	6 1/2	7/8	XLJ43/4	*		
	8 1/4	15/16	LJ43/4	*		
	10	2	MJ43/4	*		
5	7	1	XLJ5E	*		
	9	1 3/8	LJ5E	*		
	10	2	MJ5E	*		
5 1/4	7 1/4	1	XLJ51/4	*		
5 1/2	7 1/2	1	XLJ51/2	*		
	9 1/2	1 3/8	LJ51/2	*		
	11	2	MJ51/2	*		
5 3/4	7 3/4	1	XLJ53/4	*		
6	8	1	XLJ6E	*		
	10 1/2	1 9/16	XL6E	*		
	12	2 1/4	MJ6E	*		
6 1/2	8 3/4	1 1/8	XLJ61/2	*		
	11	1 9/16	LJ61/2	*		
	13	2 1/2	MJ61/2	*		
7	9 1/2	1 1/4	XLJ73	*		
	12	1 3/4	LJ7E	*		
	13 1/2	2 1/2	MJ7E	*		

Primary Dimensions			Bearing Code	Variants		
d	D	B		OPEN	ZZ	-2RS
Inch						
7 1/2	10	1 1/4	XLJ71/2	*		
	12 1/2	1 3/4	LJ71/2	*		
	14 1/2	2 3/4	MJ71/2	*		
8	10 3/4	1 3/8	XLJ8E	*		
	13	1 3/4	LJ8E	*		
	15	2 3/4	MJ8E	*		
8 1/2	11 1/2	1 1/2	XLJ81/2	*		
	14	2	LJ81/2	*		
	16	3	MJ81/2	*		
9	12	1 1/2	XLJ9E	*		
	14 1/2	2	LJ9E	*		
	17	3	MJ9E	*		
9 1/2	12 3/4	1 5/8	XLJ91/2	*		
	15 1/8	2	LJ91/2	*		
10	13 3/4	1 5/8	XLJ10E	*		
	15 3/4	2	LJ10E	*		
	18 1/2	3 1/4	MJ10E	*		
10 1/2	14	1 3/4	XLJ101/2	*		
	16 5/8	2 1/4	LJ101/2	*		
11	14 1/2	1 3/4	XLJ11E	*		
	17 1/2	2 1/2	LJ11E	*		
	20	3 1/2	MJ11E	*		
11 1/2	15 1/4	1 7/8	XLJ111/2	*		
	18	2 3/8	LJ111/2	*		
12	16	2	XLJ12E	*		
	18 1/2	2 5/8	LJ12E	*		
	21 1/2	3 3/4	MJ12E	*		

If a dimension is critical to your application please contact our sales department for confirmation.
Please note : errors and omissions excepted.