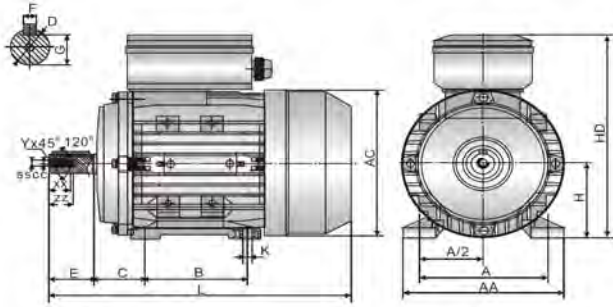


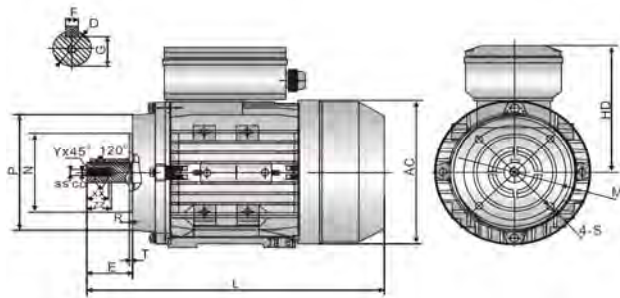


Single Phase Electric Motors - Permanent Capacitor - Frame Sizes

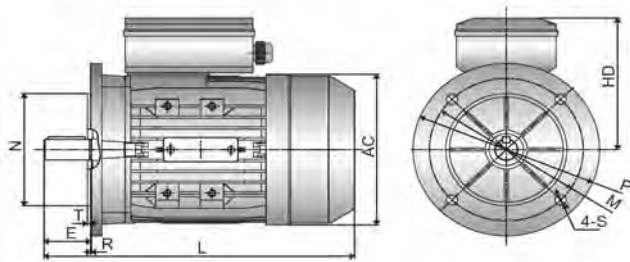
B3



B14



B5



Frame Size	Mounting Dimensions														
	A	B	C	D	E	F	G	H	K	IM B14					
										M	N	P	R	S	T
63	100	80	40	11	23	4	8.5	63	7X10	75	60	90	0	M5	2.5
71	112	90	45	14	30	5	11	71	7X10	85	70	105	0	M6	2.5
80	125	100	50	19	40	6	15.5	80	10X13	100	80	120	0	M6	3
90S	140	100	56	24	50	8	20	90	10X13	115	95	140	0	M8	3
90L	140	125	56	24	50	8	20	90	10X13	115	95	140	0	M8	3
100L	160	140	63	28	60	8	24	100	12X15	130	110	160	0	M8	3.5
112M	190	140	70	28	60	8	24	112	12X15	130	110	160	0	M8	3.5

Frame Size	Mounting Dimensions						Overall Dimensions					Shaft End Screw Dimensions		
	IM B5						AA	AC	AD	HD	L	SS	XX	ZZ
	M	N	P	R	S	T								
63	115	95	140	0	10	3	120	130	179	116	212	M4	10	15
71	130	110	160	0	10	3.5	132	145	194	123	255	M5	12	18
80	165	130	200	0	12	3.5	157	165	223	143	290	M6	16	22
90S	165	130	200	0	12	3.5	172	185	240	150	335	M8	20	25
90L	165	130	200	0	12	3.5	172	185	240	150	365	M8	20	25
100L	215	180	250	0	15	4	196	205	260	160	398/416	M10	22	28
112M	215	180	250	0	15	4	222	230	295	183	416	M10	22	28



**Single Phase Electric Motors - Permanent Capacitor - Technical Data
At 230V / 50Hz**

2 Pole

APL Part No	TEC Part No	Power (KW)	Frame Size	Current (A)	Speed (r/min)	Eff (%)	Power Factor (Cos ϕ)
1PH.09KW2PPCT1	TPC 5612	0.09	56	0.8	2740	54	0.91
1PH.12KW2PPCT1	TPC 5622	0.12	56	0.9	2760	60	0.93
1PH.18KW2PPCT1	TPC 6312	0.18	63	1.4	2760	62	0.93
1PH.25KW2PPCT1	TPC 6322	0.25	63	1.7	2780	66	0.93
1PH.37KW2PPCT1	TPC 711-2	0.37	71	2.6	2640	66	0.94
1PH.55KW2PPCT1	TPC 712-2	0.55	71	3.6	2760	71	0.95
1PH.75KW2PPCT1	TPC 801-2	0.75	80	4.5	2735	73	0.98
1PH1.1KW2PPCT1	TPC 802-2	1.1	80	6.6	2720	74	0.98
1PH1.5KW2PPCT1	TPC 803-2	1.5	80	9.2	2730	74	0.98
1PH1.5KW2PPCT1	TPC 90S-2	1.5	90S	8.5	2755	76	0.98
1PH2.2KW2PPCT1	TPC 90L-2	2.2	90L	12.3	2765	77	0.98
1PH3KW2PPCT1	TPC 100L-2	3	100L	16.9	2765	77	0.99

APL Part No	Tst/Tn (Times)	Tmax/Tn (Times)	Starting Current (A)	Run Capacitor (μ F/V)	Noise dB (A)	Weight (Kg)
1PH.09KW2PPCT1	0.69	1.8	2.5	4 μ F/450V	67	2.8
1PH.12KW2PPCT1	0.69	1.8	3.5	6 μ F/450V	67	3.05
1PH.18KW2PPCT1	0.55	1.8	4.5	8 μ F/450V	70	4.1
1PH.25KW2PPCT1	0.55	1.8	6	10 μ F/450V	70	4.5
1PH.37KW2PPCT1	0.72	1.65	8	14 μ F/450V	75	6.1
1PH.55KW2PPCT1	0.7	1.8	14	20 μ F/450V	75	7.7
1PH.75KW2PPCT1	0.68	1.75	16	25 μ F/450V	75	10.3
1PH1.1KW2PPCT1	0.65	1.8	23	35 μ F/450V	78	11.6
1PH1.5KW2PPCT1	0.65	1.8	31	50 μ F/450V	78	13.6
1PH1.5KW2PPCT1	0.65	1.8	31	50 μ F/450V	80	14.6
1PH2.2KW2PPCT1	0.65	1.8	51	70 μ F/450V	80	17.8
1PH3KW2PPCT1	0.55	1.75	64	90 μ F/450V	83	23.7



**Single Phase Electric Motors - Permanent Capacitor - Technical Data
At 230V / 50Hz**

4 Pole

APL Part No	TEC Part No	Power (KW)	Frame Size	Current (A)	Speed (r/min)	Eff (%)	Power Factor (Cosö)
1PH.06KW4PPCT1	TPC 5614	0.06	56	0.6	1360	50	0.94
1PH.09KW4PPCT1	TPC 5624	0.09	56	0.8	1360	52	0.94
1PH.12KW4PPCT1	TPC 6314	0.12	63	1.3	1370	52	0.92
1PH.18KW4PPCT1	TPC 6324	0.18	63	1.5	1370	54	0.94
1PH.25KW4PPCT1	TPC 711-4	0.25	71	2	1320	56	0.94
1PH.37KW4PPCT1	TPC 712-4	0.37	71	2.9	1325	58	0.94
1PH.55KW4PPCT1	TPC 801-4	0.55	80	3.9	1340	64	0.94
1PH.75KW4PPCT1	TPC 802-4	0.75	80	5.3	1340	64	0.94
1PH1.1KW4PPCT1	TPC 90S-4	1.1	90S	7	1355	72	0.95
1PH1.5KW4PPCT1	TPC 90L-4	1.5	90L	9.3	1360	74	0.95
1PH2.2KW4PPCT1	TPC 100L1-4	2.2	100L	12.6	1390	78	0.97
1PH3KW4PPCT1	TPC 100L2-4	3	100L	16.5	1380	79	0.99

APL Part No	Tst/Tn (Times)	Tmax/Tn (Times)	Starting Current (A)	Run Capacitor (µF/V)	Noise dB (A)	Weight (Kg)
1PH.06KW4PPCT1	0.75	1.75	2	4µF/450V	63	3.3
1PH.09KW4PPCT1	0.6	1.75	3	6µF/451V	63	3.6
1PH.12KW4PPCT1	0.6	1.75	3	8µF/452V	65	4.1
1PH.12KW4PPCT1	0.6	1.75	3	8µF/453V	65	4.45
1PH.18KW4PPCT1	0.6	1.6	4	10µF/450V	65	5.05
1PH.25KW4PPCT1	0.6	1.6	5	12µF/450V	65	5.4
1PH.37KW4PPCT1	0.75	1.6	5	14µF/450V	65	6.2
1PH.55KW4PPCT1	0.7	1.55	7	20µF/450V	68	7.3
1PH.75KW4PPCT1	0.7	1.7	11	25µF/450V	73	10.1
1PH1.1KW4PPCT1	0.7	1.75	15	35µF/450V	73	11.4
1PH1.5KW4PPCT1	0.68	1.8	22	50µF/450V	75	14.4
1PH2.2KW4PPCT1	0.68	1.8	32	50µF/450V	78	17.5
1PH3KW4PPCT1	0.48	1.75	49	70µF/450V	80	24.5



Single Phase Electric Motors - Permanent Capacitor - Technical Data At 230V / 50Hz

6 Pole

APL Part No	TEC Part No	Power (KW)	Frame Size	Current (A)	Speed (r/min)	Eff (%)	Power Factor (Cos ϕ)
1PH.09KW6PPCT1	TPC 6316	0.09	63	0.92	900	46	0.92
1PH.12KW6PPCT1	TPC 6326	0.12	63	1.05	900	54	0.92
1PH.18KW6PPCT1	TPC 7116	0.18	71	1.55	900	55	0.92
1PH.25KW6PPCT1	TPC 7126	0.25	71	2.07	900	57	0.92
1PH.37KW6PPCT1	TPC 8016	0.37	80	2.82	900	62	0.92
1PH.55KW6PPCT1	TPC 8026	0.55	80	4.08	900	63	0.93
1PH.75KW6PPCT1	TPC 90S6	0.75	90S	5.2	900	66	0.95
1PH1.1KW6PPCT1	TPC 90L6	1.1	90L	7.51	900	67	0.95

APL Part No	Tst/Tn (Times)	Tmax/Tn (Times)	Starting Current (A)	Run Capacitor (μ F/V)	Noise dB (A)	Weight (Kg)
1PH.06KW4PPCT1	0.8	1.45	2	8 μ F/464V	63	5.1
1PH.09KW4PPCT1	0.75	1.45	3	11 μ F/465V	63	6
1PH.12KW4PPCT1	0.7	1.5	4	16 μ F/466V	68	6.3
1PH.12KW4PPCT1	0.68	1.5	5	20 μ F/467V	68	7.6
1PH.18KW4PPCT1	0.68	1.6	8	25 μ F/468V	68	9
1PH.25KW4PPCT1	0.68	1.6	14	30 μ F/469V	70	11.6
1PH.37KW4PPCT1	0.65	1.6	16	40 μ F/470V	70	13.5
1PH.55KW4PPCT1	0.62	1.6	25	50 μ F/471V	70	16.2