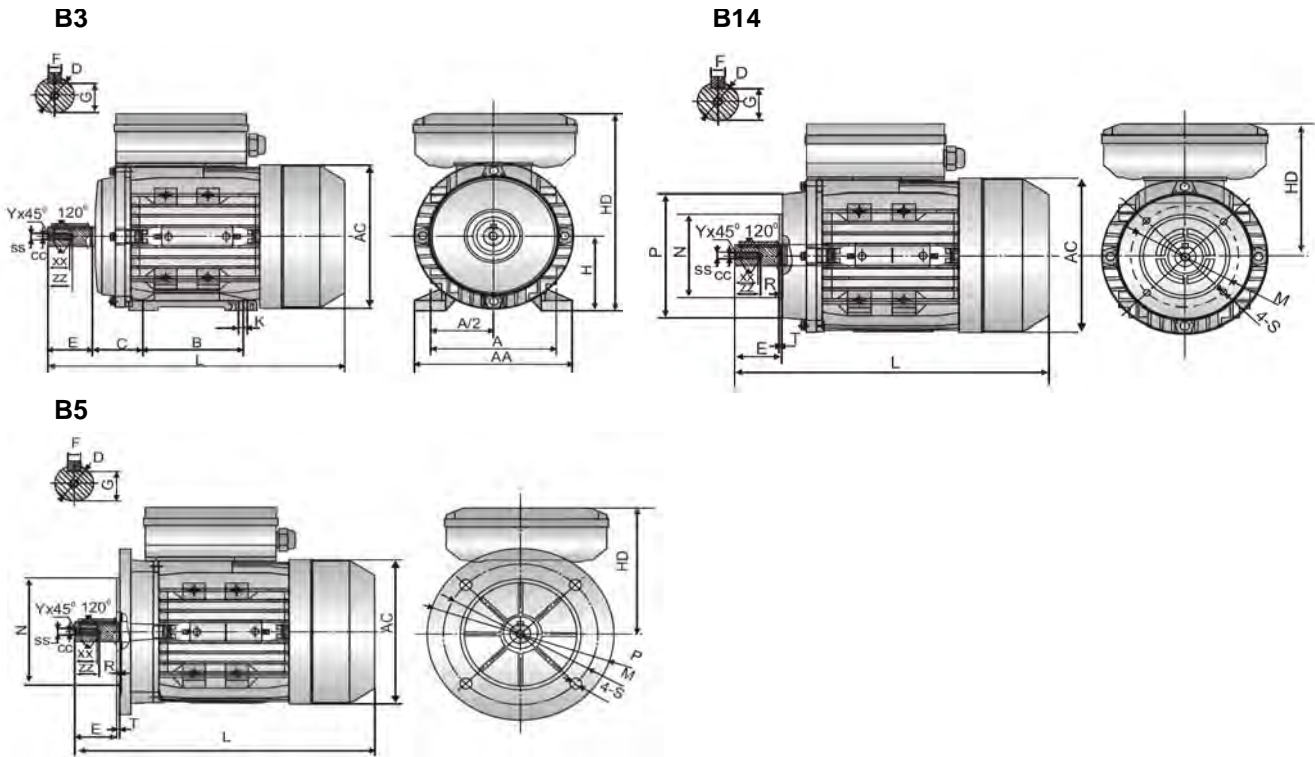




Single Phase Electric Motors - Cap Start Cap Run - Frame Sizes



Frame Size	Mounting Dimensions														
	A	B	C	D	E	F	G	H	K	IM B14					
	M	N	P	R	S	T	M	N	P	R	S	T			
63	100	80	40	11	23	4	8.5	63	7X10	75	60	90	0	M5	2.5
71	112	90	45	14	30	5	11	71	7X10	85	70	105	0	M6	2.5
80	125	100	50	19	40	6	15.5	80	10X13	100	80	120	0	M6	3
90S	140	100	56	24	50	8	20	90	10X13	115	95	140	0	M8	3
90L	140	125	56	24	50	8	20	90	10X13	115	95	140	0	M8	3
100L	160	140	63	28	60	8	24	100	12X15	130	110	160	0	M8	3.5
112M	190	140	70	28	60	8	24	112	12X15	130	110	160	0	M8	3.5

Frame Size	Mounting Dimensions						Overall Dimensions					Shaft End Screw Dimensions		
	IM B5						AA	AC	AD	HD	L	SS	XX	ZZ
	M	N	P	R	S	T								
63	115	95	140	0	φ10	3	120	130	179	116	212	M4	10	15
71	130	110	160	0	φ10	3.5	132	145	194	123	255	M5	12	18
80	165	130	200	0	φ12	3.5	157	165	223	143	290	M6	16	22
90S	165	130	200	0	φ12	3.5	172	185	240	150	335	M8	20	25
90L	165	130	200	0	φ12	3.5	172	185	240	150	365	M8	20	25
100L	215	180	250	0	φ15	4	196	205	260	160	398/416	M10	22	28
112M	215	180	250	0	φ15	4	222	230	295	183	416	M10	22	28



**Single Phase Electric Motors - Cap Start Cap Run - Technical Data
At 110V / 50Hz**

2 Pole

APL Part No	TEC Part No	Power (KW)	Frame Size	Current (A)	Speed (r/min)	Eff (%)	Power Factor (Cos ϕ)	Rate Torque (N.M)
1PH.18KW2PCCT1	TCC631-2	0.18	63	2.89	2710	63	0.9	0.63
1PH.25KW2PCCT1	TCC632-2	0.25	63	3.95	2710	64	0.9	0.88
1PH.37KW2PCCT1	TCC711-2	0.37	71	5.4	2780	67	0.93	1.27
1PH.55KW2PCCT1	TCC712-2	0.55	71	7.68	2790	70	0.93	1.88
1PH.75KW2PCCT1	TCC801-2	0.75	80	9.97	2800	72	0.95	2.56
1PH1.1KW2PCCT1	TCC802-2	1.1	80	14.04	2810	75	0.95	3.74
1PH1.5KW2PCCT1	TCC90S-2	1.5	90S	18.89	2810	76	0.95	5.1
1PH2.2.KW2PCCT1	TCC90L-2	2.2	90L	27.34	2810	77	0.95	7.48
1PH3KW2PCCT1	TCC100L-2	3	100L	36.34	2830	79	0.95	10.13

APL Part No	Tst/Tn (Times)	Tmax/Tn (Times)	Starting Current (A)	Run Capacitor (μ F/V)	Start Capacitor (μ F/V)	Noise dB (A)	Weight (Kg)
1PH.18KW2PCCT1	1.8	1.6	16	30 μ F/250V	100 μ F/125V	70	4.2
1PH.25KW2PCCT1	1.8	1.6	20	40 μ F/250V	100 μ F/125V	73	4.7
1PH.37KW2PCCT1	2	1.8	30	40 μ F/250V	200 μ F/125V	75	5.3
1PH.55KW2PCCT1	2	1.8	40	60 μ F/250V	300 μ F/125V	76	7.4
1PH.75KW2PCCT1	2.5	1.8	60	80 μ F/250V	400 μ F/125V	76	9.5
1PH1.1KW2PCCT1	2.5	1.8	80	100 μ F/250V	600 μ F/125V	79	11.2
1PH1.5KW2PCCT1	2.5	1.8	110	140 μ F/250V	800 μ F/125V	84	14
1PH2.2.KW2PCCT1	2.5	1.8	150	160 μ F/250V	1000 μ F/125V	84	17
1PH3KW2PCCT1	2.5	1.7	220	180 μ F/250V	1400 μ F/125V	88	25

4 Pole

APL Part No	TEC Part No	Power (KW)	Frame Size	Current (A)	Speed (r/min)	Eff (%)	Power Factor (Cos ϕ)	Rate Torque (N.M)
1PH.12KW4PCCT1	TCC631-4	0.12	63	2.2	1350	55	0.9	0.86
1PH.18KW4PCCT1	TCC632-4	0.18	63	3.25	1350	56	0.9	1.27
1PH.25KW4PCCT1	TCC711-4	0.25	71	4.21	1380	60	0.9	1.73
1PH.37KW4PCCT1	TCC712-4	0.37	71	5.93	1380	63	0.9	2.56
1PH.55KW4PCCT1	TCC801-4	0.55	80	8.42	1400	66	0.9	3.75
1PH.75KW4PCCT1	TCC802-4	0.75	80	10.98	1410	69	0.9	5.08
1PH1.1KW4PCCT1	TCC90S-4	1.1	90S	14.73	1410	73	0.93	7.45
1PH1.5KW4PCCT1	TCC90L-4	1.5	90L	19.81	1400	74	0.93	10.24
1PH2.2KW4PCCT1	TCC100L-4	2.2	100L	28.3	1430	76	0.93	14.7
1PH3KW4PCCT1	TCC100L2-4	3	100L	38.09	1440	77	0.93	19.91

APL Part No	Tst/Tn (Times)	Tmax/Tn (Times)	Starting Current (A)	Run Capacitor (μ F/V)	Start Capacitor (μ F/V)	Noise dB (A)	Weight (Kg)
1PH.12KW4PCCT1	2.5	1.6	12	30 μ F/250V	100 μ F/125V	64	4.1
1PH.18KW4PCCT1	1.8	1.6	17	40 μ F/250V	100 μ F/125V	64	4.4
1PH.25KW4PCCT1	1.8	1.7	20	40 μ F/250V	150 μ F/125V	66	5.9
1PH.37KW4PCCT1	2	1.7	30	40 μ F/250V	200 μ F/125V	68	6.9
1PH.55KW4PCCT1	2	1.8	40	70 μ F/250V	300 μ F/125V	71	9.6
1PH.75KW4PCCT1	2.5	1.8	60	90 μ F/250V	400 μ F/125V	71	10.8
1PH1.1KW4PCCT1	2.5	1.8	80	120 μ F/250V	600 μ F/125V	74	13.5
1PH1.5KW4PCCT1	2.5	1.8	110	140 μ F/250V	800 μ F/125V	79	16.5
1PH2.2KW4PCCT1	2.5	1.8	150	170 μ F/250V	1300 μ F/125V	79	24
1PH3KW4PCCT1	2.5	1.8	220	200 μ F/250V	1600 μ F/125V	83	30



**Single Phase Electric Motors - Cap Start Cap Run - Technical Data
At 230V / 50Hz**

2 Pole

APL Part No	TEC Part No	Power (KW)	Frame Size	Current (A)	Speed (r/min)	Eff (%)	Power Factor (Cos ϕ)	Rate Torque (N.M)
1PH.18KW2PCCT1	TCC631-2	0.18	63	1.38	2710	63	0.9	0.63
1PH.25KW2PCCT1	TCC632-2	0.25	63	1.89	2710	64	0.9	0.88
1PH.37KW2PCCT1	TCC711-2	0.37	71	2.66	2780	65	0.93	1.27
1PH.55KW2PCCT1	TCC712-2	0.55	71	3.78	2790	68	0.93	1.88
1PH.75KW2PCCT1	TCC801-2	0.75	80	4.87	2800	72	0.93	2.56
1PH1.1KW2PCCT1	TCC802-2	1.1	80	7.04	2810	73	0.93	3.74
1PH1.5KW2PCCT1	TCC90S-2	1.5	90S	9.48	2810	74	0.93	5.1
1PH2.2KW2PCCT1	TCC90L-2	2.2	90L	13.57	2810	75	0.94	7.48
1PH3KW2PCCT1	TCC100L-2	3	100L	17.83	2830	77	0.95	10.13
1PH3.7KW2PCCT1	TCC112M1-2	3.7	112M	21.48	2850	78	0.96	12.4
1PH4KW2PCCT1	TCC112M2-2	4	112M	22.18	2850	80	0.98	13.41

APL Part No	Tst/Tn (Times)	Tmax/Tn (Times)	Starting Current (A)	Run Capacitor (μ F/V)	Start Capacitor (μ F/V)	Noise dB (A)	Weight (Kg)
1PH.18KW2PCCT1	2.5	1.6	8	10 μ F/450V	30 μ F/250V	70	3.9
1PH.25KW2PCCT1	2.5	1.6	10	12 μ F/450V	40 μ F/250V	73	4.4
1PH.37KW2PCCT1	2.5	1.8	15	12 μ F/450V	75 μ F/250V	75	6.1
1PH.55KW2PCCT1	2.5	1.8	20	16 μ F/450V	100 μ F/250V	76	7
1PH.75KW2PCCT1	2.5	1.8	30	20 μ F/450V	100 μ F/250V	76	9
1PH1.1KW2PCCT1	2.5	1.8	40	30 μ F/450V	150 μ F/250V	79	10.3
1PH1.5KW2PCCT1	2.5	1.8	55	40 μ F/450F	200 μ F/300V	84	16.3
1PH2.2KW2PCCT1	2.5	1.8	75	50 μ F/450V	250 μ F/300V	84	16.7
1PH3KW2PCCT1	2.5	1.7	110	60 μ F/450V	400 μ F/300V	88	25
1PH3.7KW2PCCT1	2.5	1.7	140	60 μ F/450V	600 μ F/300V	90	33
1PH4KW2PCCT1	2.5	1.7	150	60 μ F/450V	600 μ F/300V	90	34.2



**Single Phase Electric Motors - Cap Start Cap Run - Technical Data
At 230V / 50Hz**

4 Pole

APL Part No	TEC Part No	Power (KW)	Frame Size	Current (A)	Speed (r/min)	Eff (%)	Power Factor (Cosö)	Rate Torque (N.M)
1PH.12KW4PCCT1	TCC631-4	0.12	63	1.05	1350	55	0.9	0.85
1PH.18KW4PCCT1	TCC632-4	0.18	63	1.55	1350	56	0.9	1.27
1PH.25KW4PCCT1	TCC711-4	0.25	71	2.01	1380	60	0.9	1.73
1PH.37KW4PCCT1	TCC712-4	0.37	71	2.84	1380	63	0.9	2.56
1PH.55KW4PCCT1	TCC801-4	0.55	80	4.03	1400	66	0.9	3.75
1PH.75KW4PCCT1	TCC802-4	0.75	80	5.25	1410	69	0.9	5.08
1PH1.1KW4PCCT1	TCC90S-4	1.1	90S	7.24	1410	71	0.93	7.45
1PH1.5KW4PCCT1	TCC90L-4	1.5	90L	9.61	1400	73	0.93	10.24
1PH2.2KW4PCCT1	TCC100L1-4	2.2	100L	13.9	1430	74	0.93	14.7
1PH3KW4PCCT1	TCC100L2-4	3	100L	18.7	1440	75	0.93	19.91
1PH3.7KW4PCCT1	TCC112M1-4	3.7	112M	21.99	1440	77	0.95	24.55
1PH4KW4PCCT1	TCC112M2-4	4	112M	22.41	1440	80	0.97	26.54

APL Part No	Tst/Tn (Times)	Tmax/Tn (Times)	Starting Current (A)	Run Capacitor (µF/V)	Start Capacitor (µF/V)	Noise dB (A)	Weight (Kg)
1PH.12KW4PCCT1	2.5	1.6	6	10µF/450V	30µF/250V	64	4.1
1PH.18KW4PCCT1	2.5	1.6	8.5	12µF/450V	40µF/250V	64	4.5
1PH.25KW4PCCT1	2.5	1.7	10	12µF/450V	50µF/250V	66	5.9
1PH.37KW4PCCT1	2.5	1.7	15	16µF/450V	75µF/250V	68	6.9
1PH.55KW4PCCT1	2.5	1.8	20	20µF/450V	100µF/250V	71	9.6
1PH.75KW4PCCT1	2.5	1.8	30	25µF/450V	100µF/250V	71	10.9
1PH1.1KW4PCCT1	2.5	1.8	40	35µF/450V	150µF/250V	74	13.8
1PH1.5KW4PCCT1	2.5	1.8	55	40µF/450V	200µF/300V	79	16.7
1PH2.2KW4PCCT1	2.5	1.8	75	50µF/450V	300µF/300V	79	22.8
1PH3KW4PCCT1	2.5	1.8	110	60µF/450V	500µF/300V	83	28.7
1PH3.7KW4PCCT1	2.5	1.7	140	60µF/450V	600µF/300V	86	31
1PH4KW4PCCT1	2.5	1.7	150	60µF/450V	600µF/300V	86	32.8