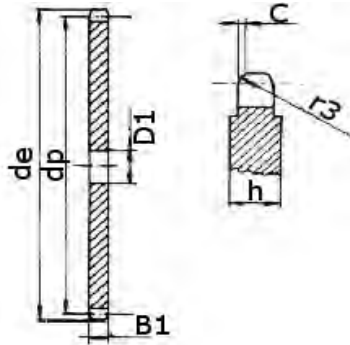


**Platewheels British Standard****6mm x 2.8mm (041-1)****Steel no hub**

No. Teeth	Outside Dia. de	Pitch Dia. dp	D1
8	18	15.67	5
9	19.9	17.54	5
10	21.7	19.42	6
11	23.6	21.3	6
12	25.4	23.18	6
13	27.3	25.05	8
14	29.2	26.96	8
15	31	28.86	8
16	33	30.76	8
17	35	32.65	8
18	36.9	34.55	8
19	38.8	36.44	8
20	40.7	38.34	8
21	42.6	40.25	8
22	44.5	42.16	8
23	46.4	44.06	8
24	48.3	45.96	8
25	50.2	47.87	8
26	52.1	49.76	8
27	54	51.67	8
28	55.9	53.58	8
29	57.8	55.5	8
30	59.8	57.42	8
31	61.7	59.31	8
32	63.6	61.21	8
33	65.5	63.11	8
34	67.4	65.02	8
35	69.3	66.93	8
36	71.2	68.84	8
37	73.1	70.75	8
38	75	72.66	8
39	76.9	74.57	8
40	78.9	76.47	8
41	80.8	78.38	10
42	82.7	80.28	10
43	84.7	82.19	10

From 51 teeth dimension

'h' = 4mm

Tooth Radius r3 = 6

Radius size C = 0.7

Tooth width B1 = 2.6

All dimensions in mm

Intermediate sizes & special platewheels to drawing up to 1000mm diameter

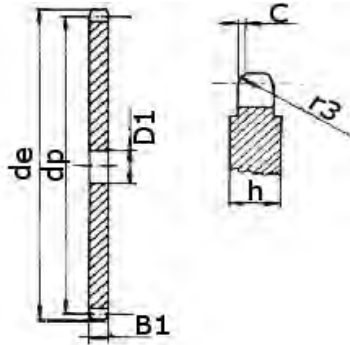
Standard : to DIN 8187 ISO/R 606

Please note : All dimensions including bore sizes subject to change.

If a dimension is critical to your application please contact our sales department for more information

For special sprockets or reworked sprockets please contact our sales department.

Please note : errors and omissions excepted.



Platewheels British Standard

6mm x 2.8mm (041-1)

Steel no hub

No. Teeth	Outside Dia. de	Pitch Dia. dp	D1
44	86.6	84.1	10
45	88.5	86.01	10
46	90.4	87.92	10
47	92.3	89.93	10
48	94.2	91.74	10
49	96.1	93.64	10
50	98	95.55	10
51	99.9	97.46	12
52	101.8	99.37	12
53	103.7	101.27	12
54	105.6	103.17	12
55	107.6	105.08	12
56	109.5	107	12
57	111.4	108.93	12
58	113.3	110.82	12
59	115.2	112.71	12
60	117.1	114.62	12
62	120.9	118.45	14
64	124.7	122.27	14
65	126.6	124.18	14
66	128.5	126.09	14
68	132.4	129.91	14
70	136.2	133.73	14
72	140	137.55	16
75	145.7	143.28	16
76	147.6	145.19	16
78	151.5	149.01	16
80	155.3	152.82	16
85	164.8	162.37	16
90	174.4	171.92	16
95	183.9	181.47	16
100	193.5	191.01	16
110	212.6	210.11	16
114	220.2	217.75	16
120	231.7	229.2	16
125	241.2	238.75	16

From 51 teeth dimension

'h' = 4mm

Tooth Radius r3 = 6

Radius size C = 0.7

Tooth width B1 = 2.6

All dimensions in mm

Intermediate sizes & special platewheels to drawing up to 1000mm diameter

Standard : to DIN 8187 ISO/R 606

Please note : All dimensions including bore sizes subject to change.

If a dimension is critical to your application please contact our sales department for more information

For special sprockets or reworked sprockets please contact our sales department.

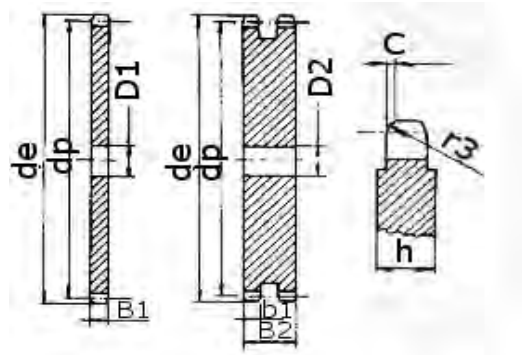
Please note : errors and omissions excepted.



Platewheels British Standard

8mm x 3mm (05B)

Steel no hub



No. Teeth	Outside Dia. de	Pitch Dia. dp	Simplex D1	Duplex D2
8	24	20.9	6	6
9	26.6	23.39	6	6
10	29.2	25.89	8	8
11	31.7	28.39	8	8
12	34.2	30.91	8	8
13	36.7	33.42	8	8
14	39.2	35.95	8	8
15	41.7	38.48	8	8
16	44.3	41.01	8	10
17	46.8	43.53	8	10
18	49.3	46.07	8	10
19	51.9	48.61	8	10
20	54.4	51.14	8	10
21	57	53.68	8	10
22	59.5	56.21	8	10
23	62	58.75	8	10
24	64.6	61.29	8	10
25	67.5	63.83	8	10
26	69.5	66.37	10	12
27	72.2	68.91	10	12
28	74.8	71.45	10	12
29	77.3	73.99	10	12
30	79.8	76.53	10	12
31	82.4	79.08	10	12
32	84.9	81.61	10	12
33	87.5	84.16	10	12
34	90	86.7	10	12
35	92.5	89.25	10	12
36	95	91.79	10	12
37	97.6	94.33	10	12
38	100.2	96.88	10	12
39	102.7	99.42	10	12
40	105.3	101.97	10	12
41	107.8	104.51	12	14
42	110.4	107.05	12	14
43	112.9	109.6	12	14

Tooth Radius r3 = 8

Radius size C = 1.0

Tooth width B1 = 2.8

Tooth width b1 = 2.7

Tooth width B2 = 8.3

All dimensions in mm

Intermediate sizes & special platewheels to drawing up to 1000mm diameter

Standard : to DIN 8187 ISO/R 606

Please note : All dimensions including bore sizes subject to change.

If a dimension is critical to your application please contact our sales department for more information

For special sprockets or reworked sprockets please contact our sales department.

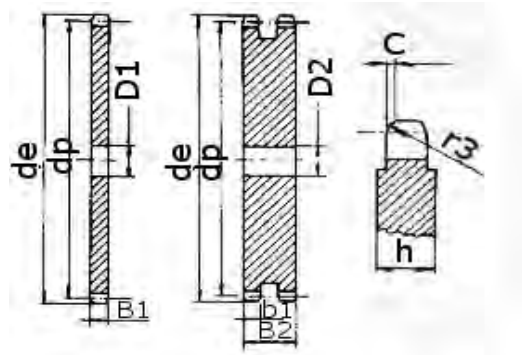
Please note : errors and omissions excepted.



Platewheels British Standard

8mm x 3mm (05B)

Steel no hub



No. Teeth	Outside Dia. de	Pitch Dia. dp	Simplex D1	Duplex D2
44	115.5	112.14	12	14
45	118	114.69	12	14
46	120.6	117.23	12	14
47	123.1	119.77	12	14
48	125.6	122.32	12	14
49	128.2	124.86	12	14
50	130.7	127.41	12	14
51	133.3	129.95	14	16
52	135.8	132.49	14	16
53	138.4	135.04	14	16
54	140.9	137.59	14	16
55	143.5	140.13	14	16
56	146	142.68	14	16
57	148.6	145.22	14	16
58	151	147.77	14	16
59	153.6	150.31	14	16
60	156.2	152.85	14	16
62	162	157.95	16	20
64	167.1	163.04	16	20
65	169.6	165.58	16	20
66	172.2	168.13	16	20
68	177.3	173.22	16	20
70	182.4	178.31	16	20
72	187.5	183.41	20	20
75	195.1	191.04	20	20
76	197.7	193.59	20	20
78	202.8	198.68	20	20
80	207.9	203.77	20	20
85	220.6	216.5	20	20
90	233.4	229.23	20	20
95	246.1	241.96	20	20
100	258.9	254.68	20	20
110	284.3	280.15	20	20
114	294.5	290.33	20	20
120	310	305.61	20	20
125	322.5	318.34	20	20

From 46 teeth dimension 'h' = 4mm

Tooth Radius r3 = 8

Radius size C = 1.0

Tooth width B1 = 2.8

Tooth width b1 = 2.7

Tooth width B2 = 8.3

All dimensions in mm

Intermediate sizes & special platewheels to drawing up to 1000mm diameter

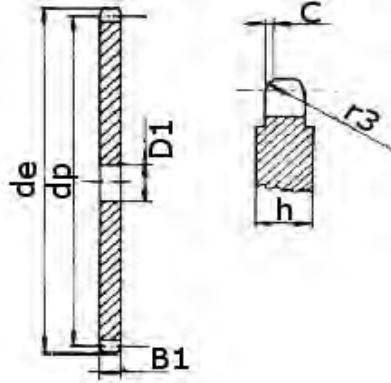
Standard : to DIN 8187 ISO/R 606

Please note : All dimensions including bore sizes subject to change.

If a dimension is critical to your application please contact our sales department for more information

For special sprockets or reworked sprockets please contact our sales department.

Please note : errors and omissions excepted.



Platewheels British Standard

1/2" x 1/8" (081-1)

Steel no hub

from 30 teeth dimension 'h' = 4mm

from 90 teeth dimension 'h' = 6mm

Tooth Radius $r_3 = 13$

Radius size C = 1.3

Tooth width $B_1 = 3.0$

No. Teeth	Outside Diam. de	Pitch Diam. dp	Bore
43	179.5	173.99	16
44	183.5	178.03	16
45	187.5	182.07	16
46	191.6	186.1	20
47	195.6	190.14	20
48	199.7	194.18	20
49	203.7	198.22	20
50	207.8	202.26	20
51	211.8	206.3	20
52	215.9	210.34	20
53	219.9	214.37	20
54	224	218.43	20
55	228	222.46	20
56	232.1	226.5	20
57	236.1	230.54	20
58	240.2	234.58	20
59	244.2	238.62	20
60	248.2	242.66	20
62	256.7	250.75	20
64	264.8	258.82	20
65	268.8	262.86	20
66	272.9	268.9	25
68	280.9	274.99	25
70	289	283.07	25
72	297.1	291.16	25
76	313.3	307.33	25
78	321.4	315.4	25
80	329.4	323.48	25
85	349.7	343.7	25
90	369.9	363.9	25
95	390.1	384.1	25
100	410.3	404.31	25
110	450.7	444.74	25
114	466.9	460.9	25
120	491.2	485.16	25
125	511.4	505.37	25

All dimensions in mm

Intermediate sizes & special platewheels to drawing up to 1000mm diameter

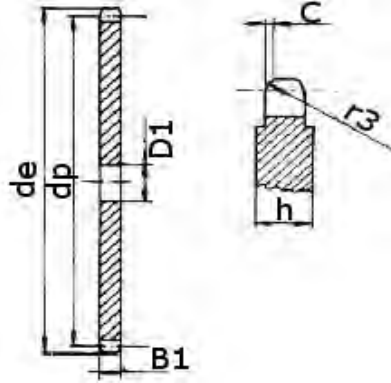
Standard : to DIN 8187 ISO/R 606

Please note : All dimensions including bore sizes subject to change.

If a dimension is critical to your application please contact our sales department for more information

For special sprockets or reworked sprockets please contact our sales department.

Please note : errors and omissions excepted.



Platewheels British Standard

1/2" x 3/16" (083-1)

Steel no hub

from 90 teeth dimension 'h' = 6mm

Tooth Radius $r_3 = 13$

Radius size $C = 1.3$

Tooth width $B_1 = 4.3 \pm 0.2$

No. Teeth	Outside Dia. de	Pitch Dia. dp	D1
8	38.5	33.18	8
9	41.5	37.13	8
10	46.2	41.1	8
11	49.6	45.07	8
12	53.9	49.07	8
13	58.4	53.06	8
14	62.8	57.07	8
15	66.8	61.09	8
16	70.9	65.1	10
17	74.9	69.11	10
18	78.9	73.14	10
19	82.9	77.16	10
20	86.9	81.19	10
21	91	85.22	10
22	95	89.24	10
23	99	93.27	10
24	103	97.29	10
25	107.1	101.33	10
26	111.2	105.36	12
27	115.4	109.4	12
28	119.4	113.42	12
29	123.4	117.46	12
30	127.5	121.5	12
31	131.5	125.54	12
32	135.5	129.56	12
33	139.6	133.6	12
34	143.6	137.64	12
35	147.6	141.68	12
36	151.7	145.72	16
37	155.7	149.76	16
38	159.8	153.8	16
39	163.8	157.83	16
40	167.8	161.87	16
41	171.4	165.91	16
42	175.4	169.95	16

All dimensions in mm

Intermediate sizes & special platewheels to drawing up to 1000mm diameter

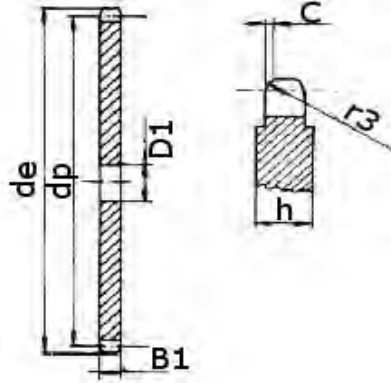
Standard : to DIN 8187 ISO/R 606

Please note : All dimensions including bore sizes subject to change.

If a dimension is critical to your application please contact our sales department for more information

For special sprockets or reworked sprockets please contact our sales department.

Please note : errors and omissions excepted.



Platewheels British Standard

1/2" x 3/16" (083-1)

Steel no hub

No. Teeth	Outside Dia. de	Pitch Dia. dp	D1
43	179.5	173.99	16
44	183.5	178.03	16
45	187.5	182.07	16
46	191.6	186.1	20
47	195.6	190.14	20
48	199.7	194.18	20
49	203.7	198.22	20
50	207.8	202.26	20
51	211.8	206.3	20
52	215.9	210.34	20
53	219.9	214.37	20
54	224	218.43	20
55	228	222.46	20
56	232.1	226.5	20
57	236.1	230.54	20
58	240.2	234.58	20
59	244.2	238.62	20
60	248.2	242.66	20
62	256.7	250.75	20
64	264.8	258.82	20
65	268.8	262.86	20
66	272.9	266.9	25
68	280.9	274.99	25
70	289	283.07	25
72	297.1	291.16	25
76	313.3	307.33	25
78	321.4	315.4	25
80	329.4	323.48	25
85	349.7	343.7	25
90	369.9	363.9	25
95	390.1	384.1	25
100	410.3	404.31	25
110	450.7	444.74	25
114	466.9	460.9	25
120	491.2	485.16	25
125	511.4	505.37	25

from 90 teeth dimension 'h' = 6mm

Tooth Radius r3 = 13

Radius size C = 1.3

Tooth width B1 = 4.3 +/- 0.2

All dimensions in mm

Intermediate sizes & special platewheels to drawing up to 1000mm diameter

Standard : to DIN 8187 ISO/R 606

Please note : All dimensions including bore sizes subject to change.

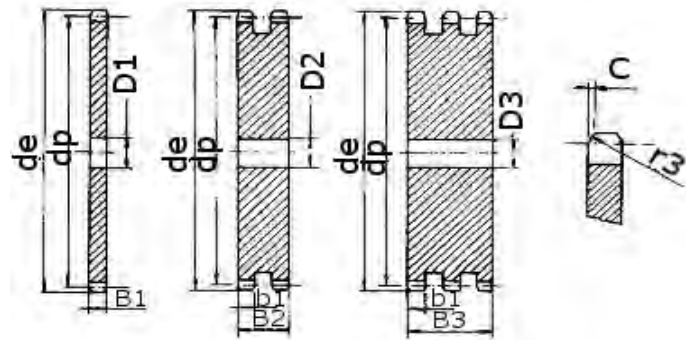
If a dimension is critical to your application please contact our sales department for more information

For special sprockets or reworked sprockets please contact our sales department.

Please note : errors and omissions excepted.



Platewheels British Standard 1/2" x 5/16" (08B) Steel no hub



No. Teeth	Outside Dia. de	Pitch Dia. dp	Simplex D1	Duplex D2	Triplex D3
45	188	182.07	20	20	25
46	192.1	186.1	20	20	25
47	198.2	190.14	20	20	25
48	200.3	194.18	20	20	25
49	204.3	198.22	20	20	25
50	208.3	202.26	20	20	25
51	212.1	206.3	20	25	25
52	216.1	210.34	20	25	25
53	220.2	214.37	20	25	25
54	224.1	218.43	20	25	25
55	228.1	222.46	20	25	25
56	232.2	226.5	20	25	25
57	236.4	230.54	20	25	25
58	240.5	234.58	20	25	25
59	244.5	238.62	20	25	25
60	248.6	242.66	20	25	25
62	256.9	250.75	25	25	25
64	265.1	258.82	25	25	25
65	269	262.86	25	25	25
66	273	266.9	25	25	25
68	281	274.99	25	25	25
69	285	279.04	25	25	25
70	289	283.07	25	25	25
72	297.2	291.16	25	25	25
75	309.2	303.27	25	25	25
76	313.3	307.33	25	25	25
78	321.4	315.4	25	25	25
80	329.4	323.48	25	25	25
85	349	343.7	25	25	25
90	369.9	363.9	25	25	25
95	390.1	384.11	25	25	25
100	410.3	404.32	25	25	25
110	450.7	444.74	25	25	25
114	466.9	460.9	25	25	25
120	491.2	485.16	25	25	25
125	511.3	505.37	25	25	25

Tooth Radius r3 = 13

Radius size C = 1.3

Tooth width B1 = 7.2

Tooth width b1 = 7.0

Tooth width B2 = 21.0

Tooth width B3 = 34.9

All dimensions in mm

Intermediate sizes & special platewheels to drawing up to 1000mm diameter

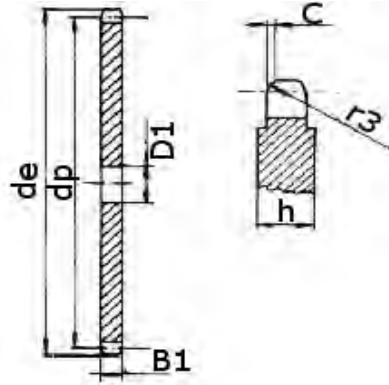
Standard : to DIN 8187 ISO/R 606

Please note : All dimensions including bore sizes subject to change.

If a dimension is critical to your application please contact our sales department for more information

For special sprockets or reworked sprockets please contact our sales department.

Please note : errors and omissions excepted.



Platewheels British Standard

1/2" x 1/8" (081-1)

Steel no hub

from 30 teeth dimension 'h' = 4mm

from 90 teeth dimension 'h' = 6mm

Tooth Radius $r_3 = 13$

Radius size C = 1.3

Tooth width $B_1 = 3.0$

No. Teeth	Outside Diam. de	Pitch Diam. dp	Bore
8	37.2	33.18	8
9	41.5	37.13	8
10	46.2	41.1	8
11	49.6	45.07	8
12	53.9	49.07	8
13	58.4	53.06	8
14	62.8	57.07	8
15	66.8	61.09	8
16	70.9	65.1	10
17	74.9	69.11	10
18	78.9	73.14	10
19	82.9	77.16	10
20	86.9	81.19	10
21	91	85.22	10
22	95	89.24	10
23	99	93.27	10
24	103	97.29	10
25	107.1	101.33	10
26	111.2	105.36	12
27	115.4	109.4	12
28	119.4	113.42	12
29	123.4	117.46	12
30	127.5	121.5	12
31	131.5	125.54	12
32	135.5	129.56	12
33	139.6	133.6	12
34	143.6	137.64	12
35	147.6	141.68	12
36	151.7	145.72	16
37	155.7	149.76	16
38	159.8	153.8	16
39	163.8	157.83	16
40	167.8	161.87	16
41	171.4	165.91	16
42	175.4	169.95	16

All dimensions in mm

Intermediate sizes & special platewheels to drawing up to 1000mm diameter

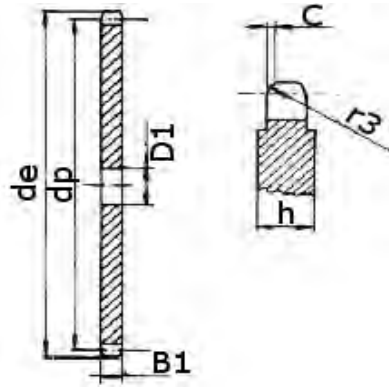
Standard : to DIN 8187 ISO/R 606

Please note : All dimensions including bore sizes subject to change.

If a dimension is critical to your application please contact our sales department for more information

For special sprockets or reworked sprockets please contact our sales department.

Please note : errors and omissions excepted.



Platewheels British Standard

1/2" x 1/8" (081-1)

Steel no hub

from 30 teeth dimension 'h' = 4mm

from 90 teeth dimension 'h' = 6mm

Tooth Radius $r_3 = 13$

Radius size C = 1.3

Tooth width $B_1 = 3.0$

No. Teeth	Outside Diam. de	Pitch Diam. dp	Bore
43	179.5	173.99	16
44	183.5	178.03	16
45	187.5	182.07	16
46	191.6	186.1	20
47	195.6	190.14	20
48	199.7	194.18	20
49	203.7	198.22	20
50	207.8	202.26	20
51	211.8	206.3	20
52	215.9	210.34	20
53	219.9	214.37	20
54	224	218.43	20
55	228	222.46	20
56	232.1	226.5	20
57	236.1	230.54	20
58	240.2	234.58	20
59	244.2	238.62	20
60	248.2	242.66	20
62	256.7	250.75	20
64	264.8	258.82	20
65	268.8	262.86	20
66	272.9	268.9	25
68	280.9	274.99	25
70	289	283.07	25
72	297.1	291.16	25
76	313.3	307.33	25
78	321.4	315.4	25
80	329.4	323.48	25
85	349.7	343.7	25
90	369.9	363.9	25
95	390.1	384.1	25
100	410.3	404.31	25
110	450.7	444.74	25
114	466.9	460.9	25
120	491.2	485.16	25
125	511.4	505.37	25

All dimensions in mm

Intermediate sizes & special platewheels to drawing up to 1000mm diameter

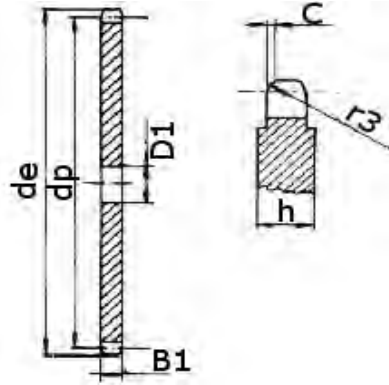
Standard : to DIN 8187 ISO/R 606

Please note : All dimensions including bore sizes subject to change.

If a dimension is critical to your application please contact our sales department for more information

For special sprockets or reworked sprockets please contact our sales department.

Please note : errors and omissions excepted.

**Platewheels British Standard****1/2" x 3/16" (083-1)****Steel no hub**

from 90 teeth dimension 'h' = 6mm

Tooth Radius r3 = 13

Radius size C = 1.3

Tooth width B1 = 4.3 +/- 0.2

No. Teeth	Outside Dia. de	Pitch Dia. dp	D1
8	38.5	33.18	8
9	41.5	37.13	8
10	46.2	41.1	8
11	49.6	45.07	8
12	53.9	49.07	8
13	58.4	53.06	8
14	62.8	57.07	8
15	66.8	61.09	8
16	70.9	65.1	10
17	74.9	69.11	10
18	78.9	73.14	10
19	82.9	77.16	10
20	86.9	81.19	10
21	91	85.22	10
22	95	89.24	10
23	99	93.27	10
24	103	97.29	10
25	107.1	101.33	10
26	111.2	105.36	12
27	115.4	109.4	12
28	119.4	113.42	12
29	123.4	117.46	12
30	127.5	121.5	12
31	131.5	125.54	12
32	135.5	129.56	12
33	139.6	133.6	12
34	143.6	137.64	12
35	147.6	141.68	12
36	151.7	145.72	16
37	155.7	149.76	16
38	159.8	153.8	16
39	163.8	157.83	16
40	167.8	161.87	16
41	171.4	165.91	16
42	175.4	169.95	16

All dimensions in mm

Intermediate sizes & special platewheels to drawing up to 1000mm diameter

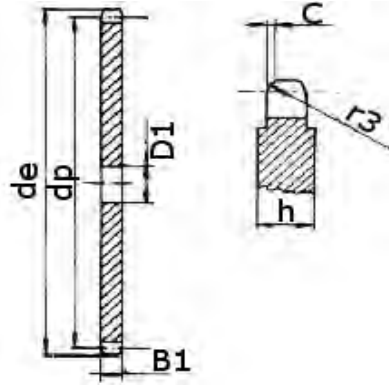
Standard : to DIN 8187 ISO/R 606

Please note : All dimensions including bore sizes subject to change.

If a dimension is critical to your application please contact our sales department for more information

For special sprockets or reworked sprockets please contact our sales department.

Please note : errors and omissions excepted.



Platewheels British Standard

1/2" x 3/16" (083-1)

Steel no hub

No. Teeth	Outside Dia. de	Pitch Dia. dp	D1
43	179.5	173.99	16
44	183.5	178.03	16
45	187.5	182.07	16
46	191.6	186.1	20
47	195.6	190.14	20
48	199.7	194.18	20
49	203.7	198.22	20
50	207.8	202.26	20
51	211.8	206.3	20
52	215.9	210.34	20
53	219.9	214.37	20
54	224	218.43	20
55	228	222.46	20
56	232.1	226.5	20
57	236.1	230.54	20
58	240.2	234.58	20
59	244.2	238.62	20
60	248.2	242.66	20
62	256.7	250.75	20
64	264.8	258.82	20
65	268.8	262.86	20
66	272.9	266.9	25
68	280.9	274.99	25
70	289	283.07	25
72	297.1	291.16	25
76	313.3	307.33	25
78	321.4	315.4	25
80	329.4	323.48	25
85	349.7	343.7	25
90	369.9	363.9	25
95	390.1	384.1	25
100	410.3	404.31	25
110	450.7	444.74	25
114	466.9	460.9	25
120	491.2	485.16	25
125	511.4	505.37	25

from 90 teeth dimension 'h' = 6mm

Tooth Radius r3 = 13

Radius size C = 1.3

Tooth width B1 = 4.3 +/- 0.2

All dimensions in mm

Intermediate sizes & special platewheels to drawing up to 1000mm diameter

Standard : to DIN 8187 ISO/R 606

Please note : All dimensions including bore sizes subject to change.

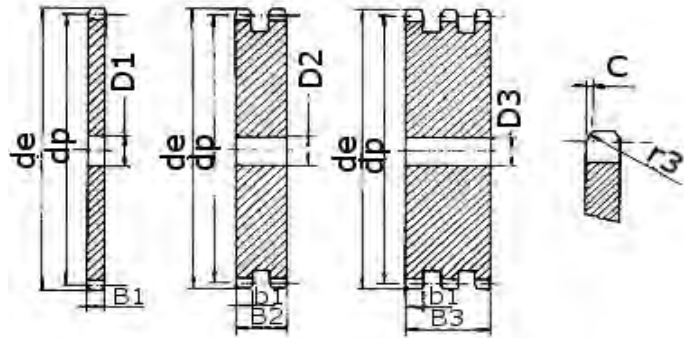
If a dimension is critical to your application please contact our sales department for more information

For special sprockets or reworked sprockets please contact our sales department.

Please note : errors and omissions excepted.



Platewheels British Standard 5/8" x 3/8" (10B) Steel no hub



No. Teeth	Outside Dia. de	Pitch Dia. dp	Simplex D1	Duplex D2	Triplex D3
8	47	41.48	10	12	12
9	52.6	46.42	10	12	12
10	57.5	51.37	10	12	16
11	63	56.34	10	14	16
12	68	61.34	10	14	16
13	73	66.32	10	14	16
14	78	71.34	10	14	16
15	83	76.36	10	14	16
16	88	81.37	12	16	16
17	93	86.38	12	16	16
18	98.3	91.42	12	16	16
19	103.3	96.45	12	16	16
20	108.4	101.49	12	16	16
21	113.4	106.52	12	16	20
22	118	111.55	12	16	20
23	123.5	116.58	12	16	20
24	128.3	121.62	12	16	20
25	134	126.66	12	16	20
26	139	131.7	16	16	20
27	144	136.75	16	16	20
28	148.7	141.78	16	16	20
29	153.8	146.83	16	16	20
30	158.8	151.87	16	16	20
31	163.9	156.92	16	20	20
32	168.9	161.95	16	20	20
33	174.5	167	16	20	20
34	179	172.05	16	20	20
35	184.1	177.1	16	20	20
36	189.1	182.15	20	20	25
37	194.2	187.2	20	20	25
38	199.2	192.24	20	20	25
39	204.2	197.29	20	20	25
40	209.3	202.34	20	20	25
41	214.8	207.39	20	20	25
42	219.9	212.44	20	20	25
43	224.9	217.49	20	20	25

Tooth Radius r3 = 16

Radius size C = 1.6

Tooth width B1 = 9.1

Tooth width b1 = 9.0

Tooth width B2 = 25.5

Tooth width B3 = 42.1

All dimensions in mm

Intermediate sizes & special platewheels to drawing up to 1000mm diameter

Standard : to DIN 8187 ISO/R 606

Please note : All dimensions including bore sizes subject to change.

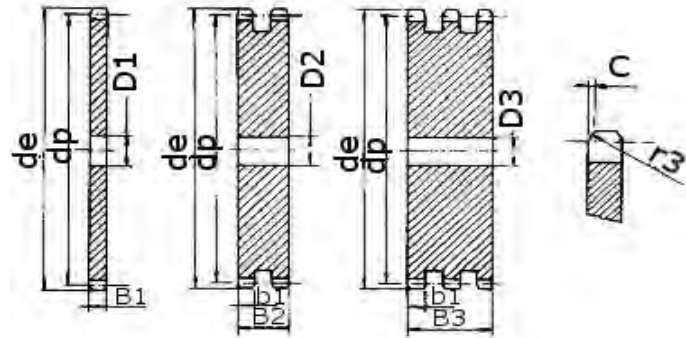
If a dimension is critical to your application please contact our sales department for more information

For special sprockets or reworked sprockets please contact our sales department.

Please note : errors and omissions excepted.



Platewheels British Standard 5/8" x 3/8" (10B) Steel no hub



No. Teeth	Outside Dia. de	Pitch Dia. dp	Simplex D1	Duplex D2	Triplex D3
44	230	222.53	20	20	25
45	235	227.58	20	20	25
46	240.1	232.63	20	25	25
47	245.1	237.68	20	25	25
48	250.2	242.73	20	25	25
49	255.2	247.78	20	25	25
50	260.3	252.82	20	25	25
51	265.3	257.87	20	25	25
52	270.4	262.92	20	25	25
53	275.4	267.97	20	25	25
54	280.5	273.03	20	25	25
55	285.5	278.08	20	25	25
56	290.6	283.13	25	25	25
57	296	288.18	25	25	25
58	300.7	293.23	25	25	25
59	305.7	298.27	25	25	25
60	310.8	303.32	25	25	25
62	321.4	313.43	25	25	30
64	331.5	323.53	25	25	30
65	336.5	328.58	25	25	30
66	341.6	333.63	25	25	30
68	351.7	343.74	25	25	30
70	361.8	353.84	25	25	30
72	371.9	363.95	25	25	30
75	387.1	379.09	25	25	30
76	392.1	384.16	25	25	30
78	402.2	394.25	25	25	30
80	412.3	404.35	25	30	30
85	437.6	429.62	30	30	30
90	462.8	454.88	30	30	30
95	488.5	480.14	30	30	30
100	513.4	505.39	30	30	30
110	563.9	555.92	30	30	30
114	584.1	576.13	30	30	30
120	614.4	606.45	30	30	30
125	639.7	631.51	30	30	30

Tooth Radius r3 = 16

Radius size C = 1.6

Tooth width B1 = 9.1

Tooth width b1 = 9.0

Tooth width B2 = 25.5

Tooth width B3 = 42.1

All dimensions in mm

Intermediate sizes & special platewheels to drawing up to 1000mm diameter

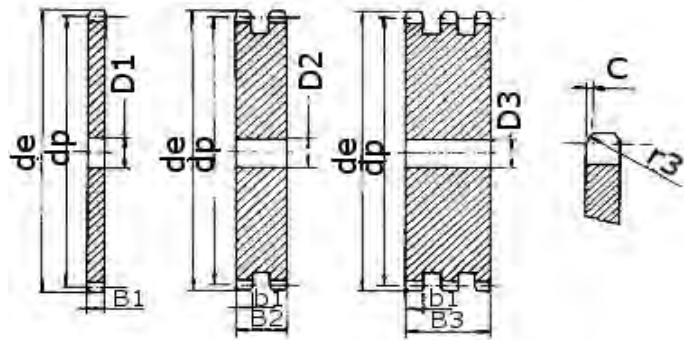
Standard : to DIN 8187 ISO/R 606

Please note : All dimensions including bore sizes subject to change.

If a dimension is critical to your application please contact our sales department for more information

For special sprockets or reworked sprockets please contact our sales department.

Please note : errors and omissions excepted.

**Platewheels British Standard****3/4" x 7/16" (12B)****Steel no hub**

No. Teeth	Outside Dia. de	Pitch Dia. dp	Simplex D1	Duplex D2	Triplex D3
8	57.6	49.78	12	12	16
9	62	55.7	12	12	16
10	69	61.64	12	12	16
11	75	67.61	14	16	20
12	81.5	73.61	14	16	20
13	87.5	79.59	14	16	20
14	93.6	85.61	14	16	20
15	99.8	91.63	14	16	20
16	105.5	97.65	14	20	20
17	111.5	103.67	14	20	20
18	118	109.71	14	20	20
19	124.2	115.75	14	20	20
20	129.7	121.78	14	20	20
21	136	127.82	16	20	20
22	141.8	133.86	16	20	20
23	149	139.9	16	20	20
24	153.9	145.94	16	20	20
25	160	152	16	20	20
26	165.9	158.04	16	20	20
27	172.3	164.09	16	20	20
28	178	170.13	16	20	20
29	184.1	176.19	16	20	20
30	190.5	182.25	16	20	20
31	196.3	188.31	20	20	25
32	203.3	194.36	20	20	25
33	209.2	200.4	20	20	25
34	214.6	206.46	20	20	25
35	221	212.52	20	20	25
36	226.8	218.58	20	25	25
37	232.9	224.64	20	25	25
38	239	230.69	20	25	25
39	245.1	236.75	20	25	25
40	251.3	242.81	20	25	25
41	257.3	248.87	25	25	25
42	264.5	254.93	25	25	25
43	270.5	260.98	25	25	25

Tooth Radius r3 = 19

Radius size C = 2

Tooth width B1 = 11.1

Tooth width b1 = 10.8

Tooth width B2 = 30.3

Tooth width B3 = 49.8

All dimensions in mm

Intermediate sizes & special platewheels to drawing up to 1000mm diameter

Standard : to DIN 8187 ISO/R 606

Please note : All dimensions including bore sizes subject to change.

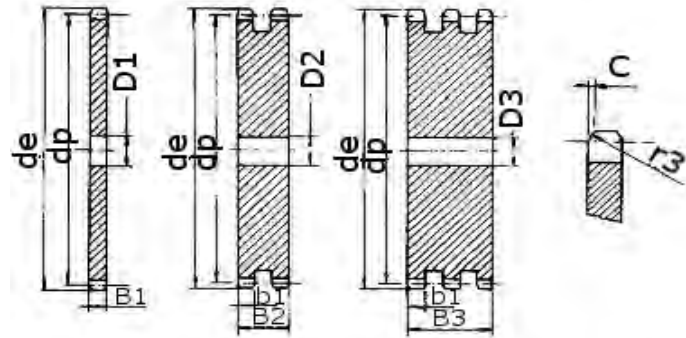
If a dimension is critical to your application please contact our sales department for more information

For special sprockets or reworked sprockets please contact our sales department.

Please note : errors and omissions excepted.



Platewheels British Standard 3/4" x 7/16" (12B) Steel no hub



No. Teeth	Outside Dia. de	Pitch Dia. dp	Simplex D1	Duplex D2	Triplex D3
44	276.5	267.04	25	25	25
45	282.5	273.1	25	25	25
46	287.9	279.16	25	25	25
47	294	285.21	25	25	25
48	300.1	291.27	25	25	25
49	306.2	297.33	25	25	25
50	312.3	303.39	25	25	25
51	318.4	309.45	25	25	25
52	324.5	315.5	25	25	25
53	330.5	321.56	25	25	25
54	336.6	327.64	25	25	25
55	342.7	333.7	25	25	25
56	348.7	339.75	25	25	30
57	355.4	345.81	25	25	30
58	361.5	351.87	25	25	30
59	367.5	357.93	25	25	30
60	373	363.99	25	25	30
62	385.1	376.12	25	30	30
64	397.2	388.24	25	30	30
65	403.2	394.29	25	30	30
66	409.3	400.35	30	30	30
68	421.4	412.49	30	30	30
70	433.6	424.6	30	30	30
72	447	436.74	30	30	30
75	463.9	454.91	30	30	30
76	469.9	460.99	30	30	30
78	482.1	473.1	30	30	30
80	494.2	485.22	30	30	30
85	524.5	515.55	30	30	30
90	554.8	545.86	30	30	30
95	585.1	576.17	30	30	30
100	615.4	606.47	30	30	30
110	676.1	667.11	30	30	30
114	700.6	691.36	30	30	30
120	736.7	727.74	30	30	30
125	767	758.05	30	30	30

Tooth Radius r3 = 19

Radius size C = 2

Tooth width B1 = 11.1

Tooth width b1 = 10.8

Tooth width B2 = 30.3

Tooth width B3 = 49.8

All dimensions in mm

Intermediate sizes & special platewheels to drawing up to 1000mm diameter

Standard : to DIN 8187 ISO/R 606

Please note : All dimensions including bore sizes subject to change.

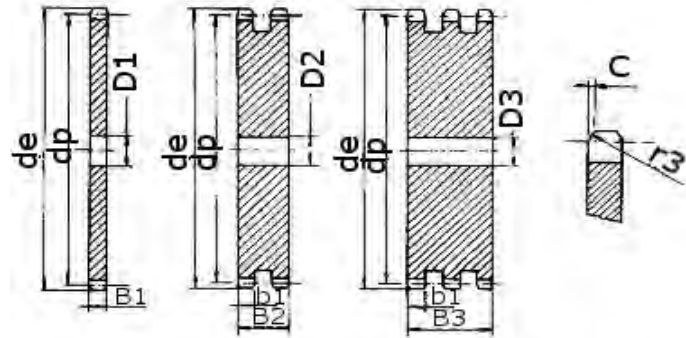
If a dimension is critical to your application please contact our sales department for more information

For special sprockets or reworked sprockets please contact our sales department.

Please note : errors and omissions excepted.



Platewheels British Standard 1" x 17.02mm (16B) Steel no hub



No. Teeth	Outside Dia. de	Pitch Dia. dp	Simplex D1	Duplex D2	Triplex D3
8	77	66.37	14	16	20
9	85	74.27	14	16	20
10	93	82.19	15	16	20
11	99.5	90.14	15	20	25
12	109	98.14	15	20	25
13	117	106.12	15	20	25
14	125	114.15	15	20	25
15	133	122.17	15	20	25
16	141	130.2	19	20	30
17	149	138.22	19	20	30
18	157	146.28	19	20	30
19	165.2	154.33	19	20	30
20	173	162.38	19	20	30
21	181.2	170.43	20	25	30
22	189.3	178.48	20	25	30
23	197.5	186.53	20	25	30
24	205.5	194.59	20	25	30
25	213.5	202.66	20	25	30
26	221.6	210.72	20	25	30
27	229.6	218.79	20	25	30
28	237.7	226.85	20	25	30
29	245.8	234.92	20	25	30
30	254	243	20	25	30
31	262	251.08	25	25	30
32	270	259.13	25	25	30
33	278.5	267.21	25	25	30
34	287	275.28	25	25	30
35	296.2	283.36	25	25	30
36	304.6	291.44	25	25	30
37	312.6	299.51	25	25	30
38	320.7	307.59	25	25	30
39	328.8	315.67	25	25	30
40	336.9	323.75	25	25	30
41	345	331.82	25	-	-
42	353	339.9	25	25	30
43	361.1	347.98	25	25	-

Tooth Radius r3 = 26

Radius size C = 2.5

Tooth width B1 = 16.2

Tooth width b1 = 15.8

Tooth width B2 = 47.7

Tooth width B3 = 79.6

All dimensions in mm

Intermediate sizes & special platewheels to drawing up to 1000mm diameter

Standard : to DIN 8187 ISO/R 606

Please note : All dimensions including bore sizes subject to change.

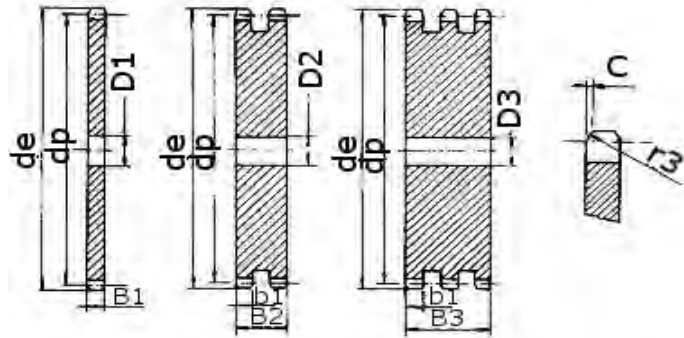
If a dimension is critical to your application please contact our sales department for more information

For special sprockets or reworked sprockets please contact our sales department.

Please note : errors and omissions excepted.



Platewheels British Standard 1" x 17.02mm (16B) Steel no hub



No. Teeth	Outside Dia. de	Pitch Dia. dp	Simplex D1	Duplex D2	Triplex D3
44	369.1	356.06	25	25	30
45	377.1	364.13	25	25	30
46	385.2	372.21	25	30	30
47	393.2	380.29	25	-	-
48	401.3	388.36	25	30	30
49	409.3	396.44	25	-	-
50	417.4	404.52	25	30	30
51	425.5	412.6	30	30	40
52	433.6	420.67	30	30	40
53	441.7	428.75	30	-	-
54	448.3	436.85	30	-	-
55	457.9	444.93	30	30	40
56	466	453.01	30	30	-
57	474	461.07	30	30	40
58	482.1	469.16	30	-	-
59	490.2	477.24	30	-	-
60	498.3	485.32	30	30	40
62	514.5	501.5	30	30	-
64	530.7	517.65	30	-	-
65	538.8	525.73	30	30	40
66	546.8	533.8	30	-	-
68	562.9	549.98	30	30	40
70	579.2	566.14	30	30	40
72	595.4	582.32	30	30	40
75	619.7	606.55	30	30	40
76	627	614.65	30	30	40
78	643.3	630.8	30	-	-
80	660	646.96	30	30	40
85	699.9	687.4	30	30	40
90	740.3	727.81	30	30	40
95	781.1	768.22	30	30	40
100	821.1	808.63	30	30	40
110	902	889.48	30	30	40
114	934.3	921.81	30	40	40
120	982.8	970.33	30	40	40
125	1023.2	1010.7	30	40	40

Tooth Radius r3 = 26

Radius size C = 2.5

Tooth width B1 = 16.2

Tooth width b1 = 15.8

Tooth width B2 = 47.7

Tooth width B3 = 79.6

All dimensions in mm

Intermediate sizes & special platewheels to drawing up to 1000mm diameter

Standard : to DIN 8187 ISO/R 606

Please note : All dimensions including bore sizes subject to change.

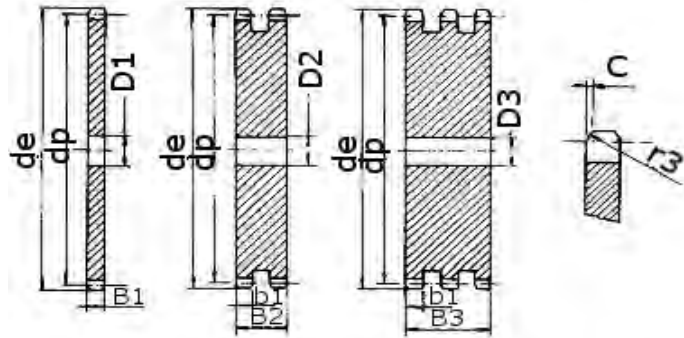
If a dimension is critical to your application please contact our sales department for more information

For special sprockets or reworked sprockets please contact our sales department.

Please note : errors and omissions excepted.



Platewheels British Standard 1 1/4" x 3/4" (20B) Steel no hub



No. Teeth	Outside Dia. de	Pitch Dia. dp	Simplex D1	Duplex D2	Triplex D3
8	98.1	82.96	16	20	20
9	108	92.84	16	20	20
10	117.9	102.74	16	20	20
11	127.8	112.68	16	20	20
12	137.8	122.68	20	20	20
13	147.8	132.65	20	20	20
14	157.8	142.68	20	20	20
15	167.9	152.72	20	20	20
16	177.9	162.75	25	25	25
17	187.9	172.78	25	25	25
18	198	182.85	25	25	25
19	208.1	192.91	25	25	25
20	218.1	202.98	25	25	25
21	228.2	213.04	25	25	25
22	238.3	223.11	25	25	25
23	248.3	233.17	25	25	25
24	258.4	243.23	25	25	25
25	268.5	253.33	25	25	25
26	278.6	263.4	25	25	25
27	288.6	273.4	25	25	25
28	298.7	283.56	25	25	25
29	308.8	293.65	25	25	25
30	318.9	303.75	25	25	25
31	329	313.85	25	25	30
32	339.1	323.91	25	25	30
33	349.2	334.01	25	25	30
34	359.3	344.1	25	25	30
35	369.4	354.2	25	25	30
36	379.5	364.3	25	30	30
37	389.5	374.39	25	30	30
38	399.6	384.49	25	30	30
39	409.7	394.59	25	30	30
40	419.8	404.68	25	30	30
41	429.9	414.78	30	-	-

Tooth Radius r3 = 32

Radius size C = 3.5

Tooth width B1 = 18.5

Tooth width b1 = 18.2

Tooth width B2 = 54.6

Tooth width B3 = 91

All dimensions in mm

Intermediate sizes & special platewheels to drawing up to 1000mm diameter

Standard : to DIN 8187 ISO/R 606

Please note : All dimensions including bore sizes subject to change.

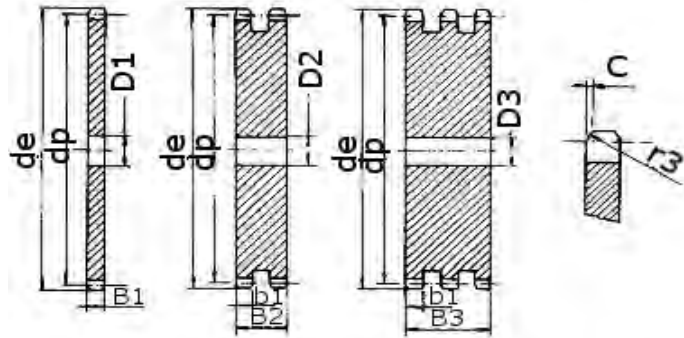
If a dimension is critical to your application please contact our sales department for more information

For special sprockets or reworked sprockets please contact our sales department.

Please note : errors and omissions excepted.



Platewheels British Standard
1 1/4" x 3/4" (20B)
Steel no hub



No. Teeth	Outside Dia. de	Pitch Dia. dp	Simplex D1	Duplex D2	Triplex D3
42	440	424.88	30	30	40
43	450.1	434.97	30	-	-
44	460.2	445.07	30	-	-
45	470.3	455.17	30	30	40
46	480.4	465.26	30	30	40
47	490.5	475.36	30	-	-
48	500.6	485.46	30	30	40
49	510.7	495.55	30	-	-
50	520.8	505.65	30	30	40
51	530.9	515.75	30	-	-
52	541	525.84	30	30	40
53	551.1	535.94	30	-	-
54	561.2	546.07	30	-	-
55	571.3	556.16	30	30	40
56	581.4	566.26	30	-	-
57	591.5	576.36	30	30	40
58	601.6	586.45	30	-	-
59	611.7	596.55	30	-	-
60	621.8	606.65	30	30	40
62	642	626.87	30	-	-
64	662.2	647.06	30	-	-
65	672.3	657.16	30	30	40
66	682.4	667.26	30	-	-
68	702.6	687.48	30	-	-
70	722.8	707.67	30	30	40
72	743.1	727.9	30	-	-
75	773.3	758.19	30	-	-
76	783.5	768.32	30	30	40
80	823.9	808.72	30	30	40
85	874.4	859.25	30	-	-
90	924.9	909.76	30	-	-
95	975.4	960.28	30	30	40
100	1026	1010.79	30	-	-
114	1167.4	1152.26	30	40	40

Tooth Radius r3 = 32

Radius size C = 3.5

Tooth width B1 = 18.5

Tooth width b1 = 18.2

Tooth width B2 = 54.6

Tooth width B3 = 91

All dimensions in mm

Intermediate sizes & special platewheels to drawing up to 1000mm diameter

Standard : to DIN 8187 ISO/R 606

Please note : All dimensions including bore sizes subject to change.

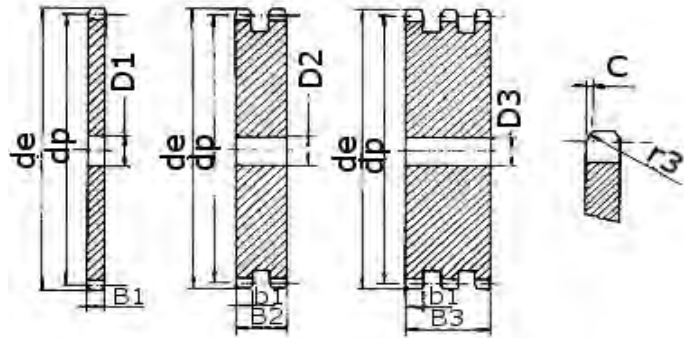
If a dimension is critical to your application please contact our sales department for more information

For special sprockets or reworked sprockets please contact our sales department.

Please note : errors and omissions excepted.



Platewheels British Standard 1 1/2" x 1" (24B) Steel no hub



No. Teeth	Outside Dia. de	Pitch Dia. dp	Simplex D1	Duplex D2	Triplex D3
8	115	99.55	20	25	25
9	126.4	111.4	20	25	25
10	138	123.29	20	25	25
11	150	135.21	20	25	25
12	162	147.22	20	25	25
13	174.2	159.18	20	25	25
14	186.2	171.22	20	25	25
15	198.2	183.26	20	25	25
16	210.3	195.3	25	25	25
17	222.3	207.34	25	25	25
18	234.3	219.42	25	25	25
19	246.5	231.49	25	25	25
20	258.6	243.57	25	25	25
21	270.6	255.65	25	25	30
22	282.7	267.73	25	25	30
23	294.8	279.8	25	25	30
24	306.8	291.88	25	25	30
25	319	304	25	25	30
26	331	316.08	30	30	30
27	343.2	328.19	30	30	30
28	355.2	340.27	30	30	30
29	367.3	352.38	30	30	30
30	379.5	364.5	30	30	40
31	391.6	376.62	30	30	-
32	403.7	388.69	30	30	40
33	415.8	400.81	30	30	40
34	427.8	412.93	30	30	40
35	440	425.04	30	30	40
36	452	437.16	30	30	40
37	464.2	449.27	30	30	-
38	476.2	461.39	30	30	40
39	488.5	473.5	30	30	-
40	500.6	485.62	30	30	40

Tooth Radius r3 = 38

Radius size C = 4

Tooth width B1 = 24.1

Tooth width b1 = 23.6

Tooth width B2 = 72

Tooth width B3 = 120.3

All dimensions in mm

Intermediate sizes & special platewheels to drawing up to 1000mm diameter

Standard : to DIN 8187 ISO/R 606

Please note : All dimensions including bore sizes subject to change.

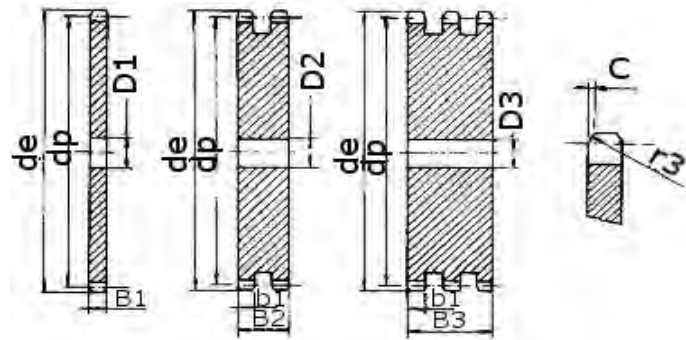
If a dimension is critical to your application please contact our sales department for more information

For special sprockets or reworked sprockets please contact our sales department.

Please note : errors and omissions excepted.



Platewheels British Standard 1 1/2" x 1" (24B) Steel no hub



No. Teeth	Outside Dia. de	Pitch Dia. dp	Simplex D1	Duplex D2	Triplex D3
41	512.6	497.74	30	-	-
42	524.7	509.85	30	40	40
43	536.8	521.97	30	-	-
44	549	534.08	30	-	-
45	561.2	546.2	30	40	40
46	573.3	558.32	30	40	40
47	585.4	570.43	30	-	-
48	597.4	582.55	30	40	40
49	609.5	594.66	30	-	-
50	621.7	606.78	30	40	40
51	633.8	618.89	30	-	-
52	646	631.01	30	-	-
53	658	643.13	30	-	-
54	670.2	655.28	30	-	-
55	682.3	667.4	30	40	40
56	694.4	679.51	30	-	-
57	706.5	691.63	30	40	40
58	718.6	703.74	30	-	-
59	730.7	715.86	30	-	-
60	742.8	727.97	30	40	40
62	767.2	752.24	40	-	-
64	791.3	776.48	40	-	-
65	803.4	788.59	40	40	40
66	815.6	800.71	40	-	-
68	839.8	824.98	40	-	-
70	864.2	849.21	40	-	-
72	888.4	873.48	40	-	-
75	924.8	909.83	40	-	-
76	936.9	921.98	40	40	40
80	985.4	970.44	40	-	-
85	1046	1031.1	40	-	-
95	1167.3	1152.33	40	-	-

Tooth Radius r3 = 38

Radius size C = 4

Tooth width B1 = 24.1

Tooth width b1 = 23.6

Tooth width B2 = 72

Tooth width B3 = 120.3

All dimensions in mm

Intermediate sizes & special platewheels to drawing up to 1000mm diameter

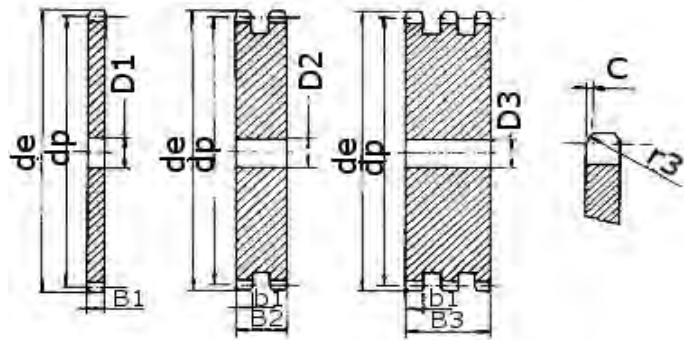
Standard : to DIN 8187 ISO/R 606

Please note : All dimensions including bore sizes subject to change.

If a dimension is critical to your application please contact our sales department for more information

For special sprockets or reworked sprockets please contact our sales department.

Please note : errors and omissions excepted.



Platewheels British Standard

1 3/4" x 1 1/4" (28B)

Steel no hub

No. Teeth	Outside Dia. de	Pitch Dia. dp	Simplex D1	Duplex D2	Triplex D3
8	132	116.15	25	25	25
9	148.4	129.96	25	25	25
10	162.3	143.85	25	25	25
11	176.3	157.77	25	25	30
12	189.5	171.74	25	25	30
13	204.2	185.75	25	25	30
14	218.2	199.76	25	25	30
15	232.3	213.79	25	25	30
16	246.3	227.84	30	30	30
17	260	241.91	30	30	30
18	274	255.98	30	30	30
19	289	270.06	30	30	30
20	303	284.15	30	30	30
21	317	298.24	30	30	30
22	331	312.34	30	30	30
23	345	326.44	30	30	30
24	359	340.55	30	30	30
25	373	354.66	30	30	40
26	387	368.77	30	30	40
27	401.4	382.88	30	30	40
28	416	397	30	30	40
29	430	411.12	30	30	-
30	444	425.24	30	30	40
31	458	439.37	30	-	-
32	472	453.49	30	-	-
33	486	467.62	30	-	-
34	500	481.75	30	-	-
35	514	495.88	30	30	40
36	529	510.01	30	-	-
37	543	524.14	30	-	-
38	557	538.27	30	30	40
39	571	552.4	30	-	-
40	585	566.54	30	30	40
45	656	637.22	30	30	40
50	726	707.91	30	30	40
57	825	806.9	40	40	40
60	869	849.32	40	40	40
76	1095	1075.62	40	40	40

Tooth Radius r3 = 44

Radius size C = 5

Tooth width B1 = 29.4

Tooth width b1 = 29.8

Tooth width B2 = 88.4

Tooth width B3 = 148

All dimensions in mm

Intermediate sizes & special platewheels to drawing up to 1000mm diameter

Standard : to DIN 8187 ISO/R 606

Please note : All dimensions including bore sizes subject to change.

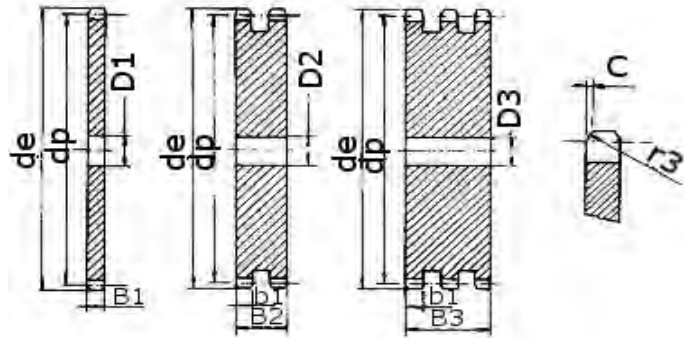
If a dimension is critical to your application please contact our sales department for more information

For special sprockets or reworked sprockets please contact our sales department.

Please note : errors and omissions excepted.



Platewheels British Standard
2" x 1 1/4" (32B)
Steel no hub



No. Teeth	Outside Dia. de	Pitch Dia. dp	Simplex D1	Duplex D2	Triplex D3
8	153.2	132.69	25	25	25
9	169	148.54	25	25	25
10	185	164.44	25	25	25
11	200.8	180.34	30	30	30
12	216.8	196.29	30	30	30
13	232.8	212.29	30	30	30
14	248.8	228.29	30	30	30
15	264.8	244.3	30	30	30
16	280.9	260.4	30	30	30
17	296.9	276.4	30	30	30
18	313	292.55	30	30	30
19	329.1	308.66	30	30	30
20	345.2	324.71	30	30	30
21	361.3	340.82	30	30	40
22	377.5	356.98	30	30	40
23	393.6	373.08	30	30	40
24	409.7	389.18	30	30	40
25	425.8	405.33	30	30	40
26	441.9	421.44	30	30	40
27	458.1	437.59	30	30	40
28	474.2	453.69	30	30	40
29	490.4	469.9	30	-	-
30	506.5	486	30	30	40
32	538.8	518.26	30	-	-
35	589.5	566.72	30	30	40
38	635.5	615.14	30	30	40
40	670.3	647.49	40	40	40
45	751	728.26	40	40	40
50	831.8	809.04	40	40	40
57	945	922.17	40	40	40
60	993.4	970.63	40	40	40
76	1252	1229.28	40	40	40

Tooth Radius r3 = 51
 Radius size C = 5
 Tooth width B1 = 29.4
 Tooth width b1 = 29.8
 Tooth width B2 = 87.4
 Tooth width B3 = 146

All dimensions in mm

Intermediate sizes & special platewheels to drawing up to 1000mm diameter

Standard : to DIN 8187 ISO/R 606

Please note : All dimensions including bore sizes subject to change.

If a dimension is critical to your application please contact our sales department for more information

For special sprockets or reworked sprockets please contact our sales department.

Please note : errors and omissions excepted.