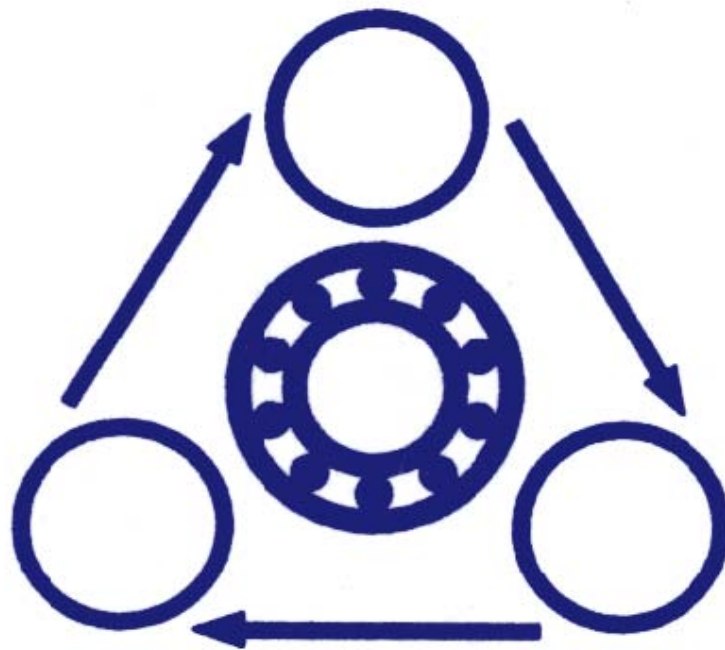


ASHLEY POWER LTD.
580-586 ASHLEY
ROAD
PARKSTONE
POOLE
DORSET, BH14 0AQ



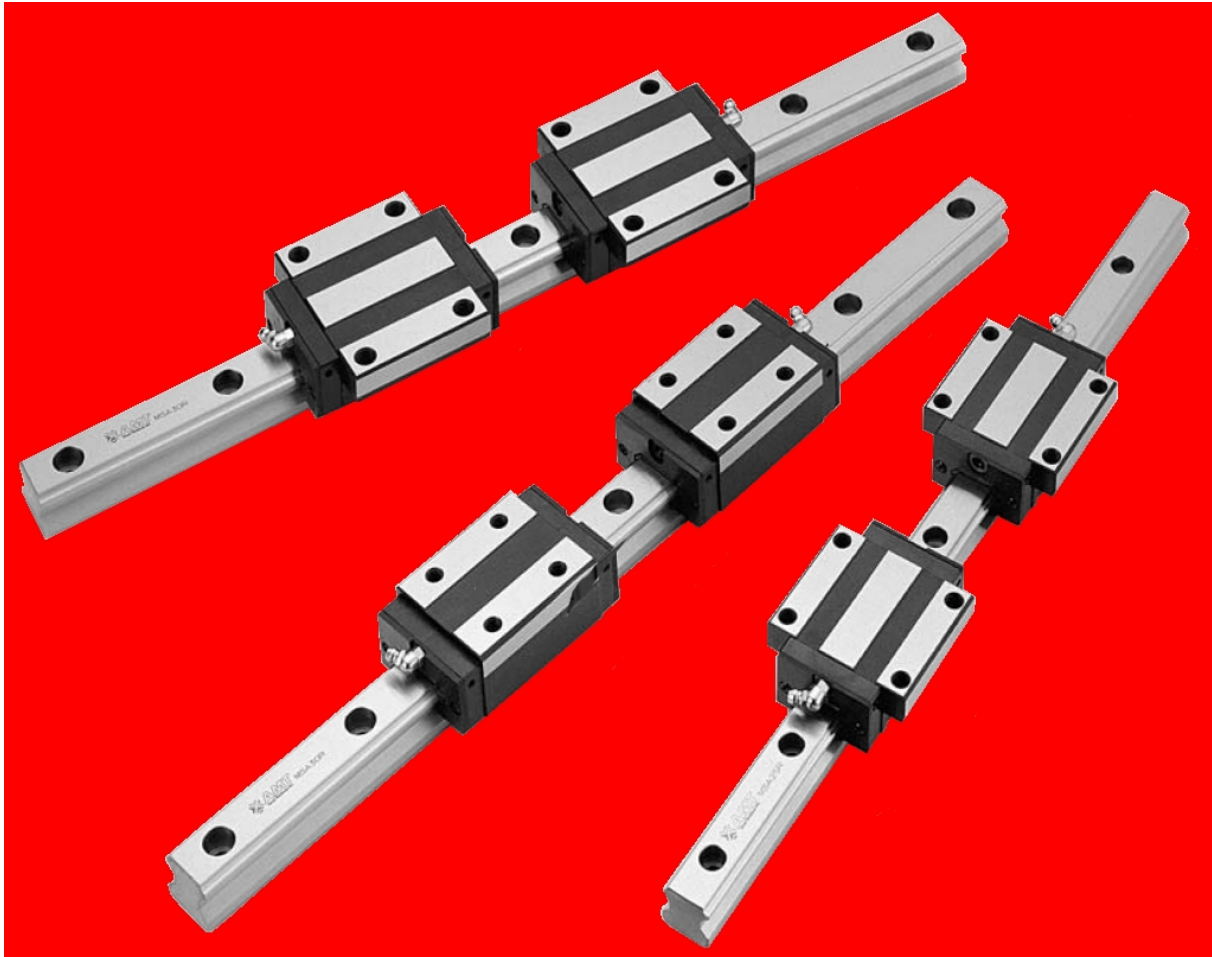
LIUNEAR BEARINGS CATALOGUE



ASHLEY POWER



LINEAR BEARINGS



TEL: 01202 746031 FAX: 01202 741108 E-MAIL: SALES@ASHLEYPower.CO.UK
WWW.ASHLEYPower.CO.UK



Linear Bearings Contents

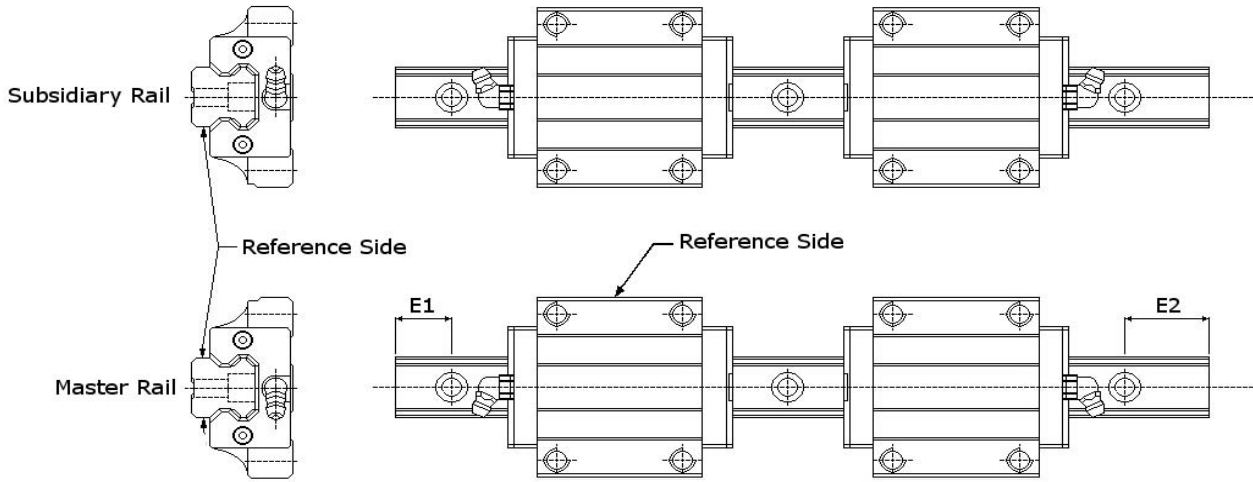
MSA Type

MSA Description of Specification Non Interchangeable Type.....	S4
MSA Description of Specification Interchangeable Type.....	S5
MSA Series - Heavy Load Type - Preload Grade and Rigidity Value.....	S7
Dimensions of MSA-A / MSA-LA	S8
Dimensions of MSA-E / MSA-LE.....	S9
Dimensions of MSA-S / MSA-LS.....	S10

MSB Type

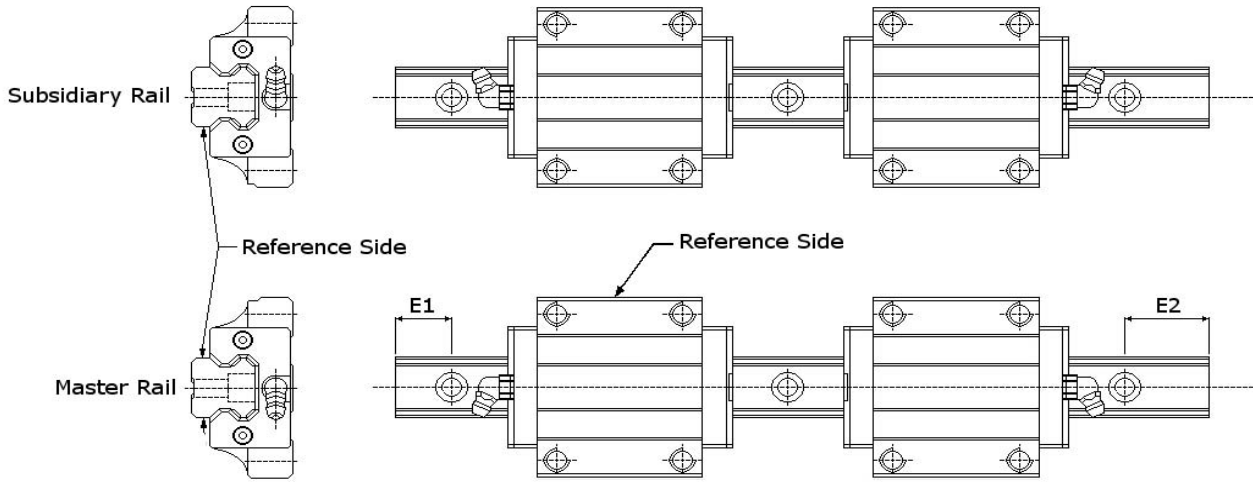
MSB Description of Specification Non Interchangeable Type.....	S11
MSB Description of Specification Interchangeable Type.....	S12
MSB Series - Heavy Load Type - Preload Grade and Rigidity Value.....	S14
Dimensions of MSB-TE / MSB-E.....	S15
Dimensions of MSB-TS / MSB-S / MSB-LS.....	S16

Please note: At Ashley Power we take care to ensure that all information is correct at time of printing however some errors and omissions excepted.



**Description of Specification
(Non-Interchangeable Type)**

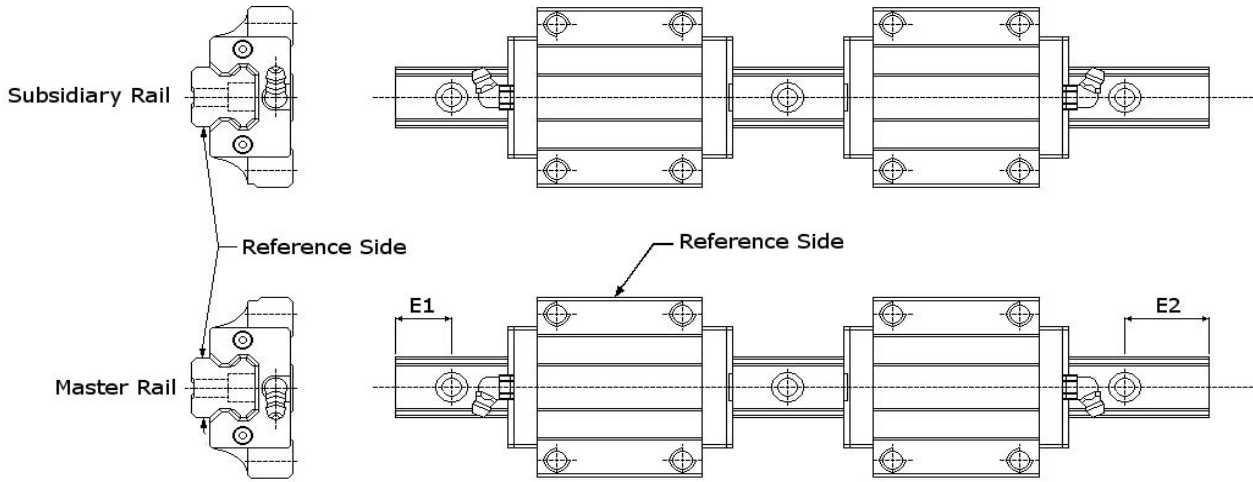
	MSA	25	A	2	SS	F0	A	+R	1200	-20	/40	P	A	II
Series: MSA														
Size: 15, 20, 25, 30, 35, 45, 55, 65														
Carriage Type: (1) Heavy Load A: Flange type, mounting from top E: Flange type, mounting from top or bottom S: Square type (2) Ultra Heavy Load LA: Flange type, mounting from top LE: Flange type, mounting from top or bottom LS: Square type														
Number of carriages per rail: 1, 2, 3 ...														
Dust protection option: No symbol, UU, SS, ZZ, DD, KK, LL, RR														
Preload: FC (Light preload), F0 (Medium preload), F1 (Heavy preload)														
Code of special carriage: No symbol, A, B ...														
Rail type: R (Counter-bore type), T (Tapped hole type)														
Rail length (mm)														
Rail hole pitch from start side (E1)														
Rail hole pitch to the end side (E2)														
Accuracy grade: N, H, P, SP, UP														
Code of special rail: No symbol, A, B ...														
Number of rails per axis: No symbol, II, III, IV ...														



Description of Specification (Interchangeable Type)

Code of Carriage

	MSA	25	A	SS	FC	N	A
Series: MSA							
Size: 15, 20, 25, 30, 35, 45, 55, 65							
Carriage Type: (1) Heavy Load A : Flange type, mounting from top E : Flange type, mounting from top or bottom S : Square type (2) Ultra Heavy Load LA : Flange type, mounting from top LE : Flange type, mounting from top or bottom LS : Square type							
Dust protection option: No symbol, UU, SS, ZZ, DD, KK, LL, RR							
Preload: FC (Light preload),							
Accuracy grade: N, H,							
Code of special carriage: No symbol, A, B ...							



Description of Specification (Interchangeable Type)

Code of Rail

	MSA	25	R	1200	-20	/40	N	A
Series: MSA								
Size: 15, 20, 25, 30, 35, 45, 55, 65								
Rail type: R (Counter-bore type), T (Tapped hole type)								
Rail length (mm)								
Rail hole pitch from start side (E1)								
Rail hole pitch to end side (E2)								
Accuracy grade: N, H								
Code of special rail: No symbol, A, B, ...								



MSA Seires - Heavy Load Type

Preload Grade

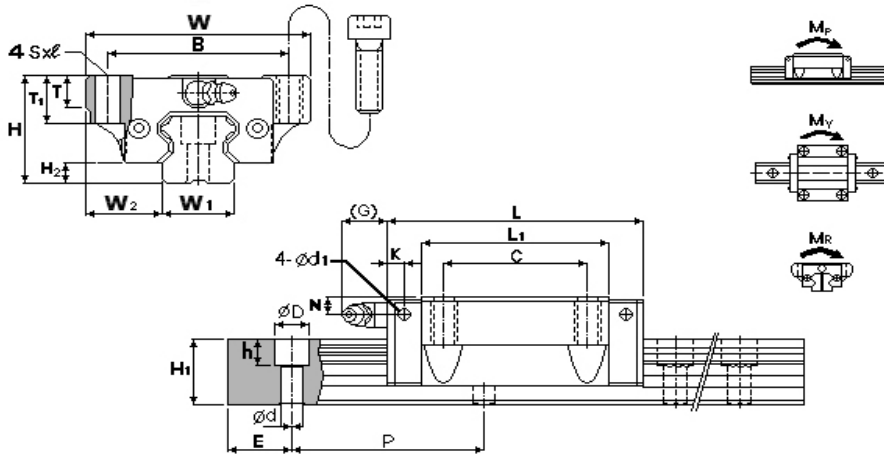
The prelaod grade of MSA series is represented by radial clearance which is divided into three grades; light (FC), medium (F0) and heavy (F1)

Unit: μm

Model No.	Preload		
	Light FC	Medium F0	Heavy F1
MSA 15	-4 ~ +2	-12 ~ -4	-
MSA 20	-5 ~ +2	-14 ~ -5	-12 ~ -14
MSA 25	-6 ~ +3	-16 ~ -6	-26 ~ -16
MSA 30	-7 ~ +4	-19 ~ -7	-31 ~ -19
MSA 35	-8 ~ +4	-22 ~ -8	-35 ~ -22
MSA 45	-10 ~ +5	-25 ~ -10	-40 ~ -25
MSA 55	-12 ~ +5	-29 ~ -12	-46 ~ -29
MSA 65	-14 ~ +7	-32 ~ -14	-50 ~ -32

Rigidity Value

	Model No.		Preload (N/ μm)		
			Light FC	Medium F0	Heavy F1
Heavy Load Type	MSA 15	A, E, S	222	321	-
	MSA 20	A, E, S	262	429	507
	MSA 25	A, E, S	309	491	575
	MSA 30	A, E, S	347	615	718
	MSA 35	A, E, S	399	702	822
	MSA 45	A, E, S	518	892	1042
	MSA 55	E, S	631	1077	1260
	MSA 65	E, S	772	1363	1592
Ultra Heavy Load Type	MSA 20	LA, LE, LS	343	595	697
	MSA 25	LA, LE, LS	375	663	774
	MSA 30	LA, LE, LS	455	803	938
	MSA 35	LA, LE, LS	533	929	1087
	MSA 45	LA, LE, LS	681	1170	1369
	MSA 55	LE, LS	827	1414	1654
	MSA 65	LE, LS	1031	1809	2117



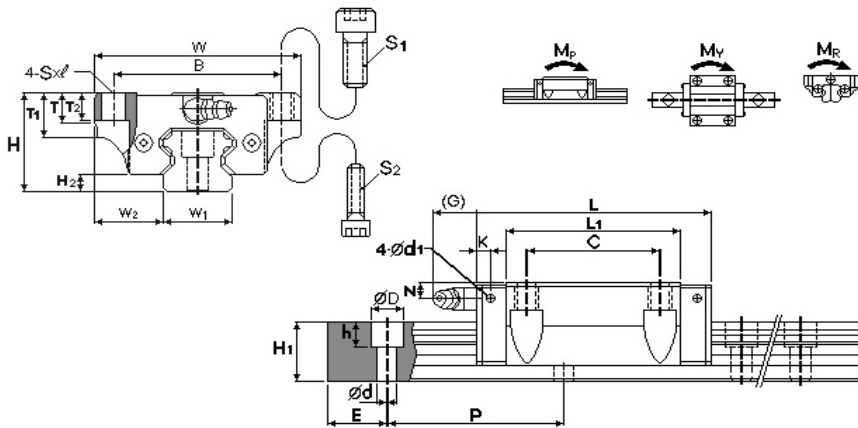
Dimensions of MSA-A / MSA-LA

Unit: mm

Model No	External Dimensions					Carriage Dimensions											Grease Nipple
	Height H	Width W	Length L	W ₂	H ₂	B	C	S x L	L ₁	T	T ₁	N	G	K	d ₁		
MSA 15 A	24	47	56.3	16	4.2	38	30	M5x11	39.3	7	11	4.3	7	3.2	3.3	G-M4	
MSA 20 A	30	63	72.9	21.5	5	53	40	M6x10	51.3	7	10	5	12	5.8	3.3	G-M6	
MSA 20 LA			88.8						67.2								
MSA 25 A	36	70	81.6	23.5	6.5	57	45	M8x16	59	11	16	6	12	5.8	3.3	G-M6	
MSA 25 LA			100.6						78								
MSA 30 A	42	90	97	31	8	72	52	M10x18	71.4	11	18	7	12	6.5	3.3	G-M6	
MSA 30 LA			119.2						93.6								
MSA 35 A	48	100	111.2	33	9.5	82	62	M10x21	81	13	21	8	11.5	8.6	3.3	G-M6	
MSA 35 LA			136.6						106.4								
MSA 45 A	60	120	137.7	37.5	10	100	80	M12x25	102.5	13	25	10	13.5	10.6	3.3	G-PT1/8	
MSA 45 LA			169.5						134.3								

Model No	Rail Dimensions					Basic Load Rating		Static Movement Rating			Weight	
	Width W ₁	Height H ₁	Pitch P	E std.	D x h x d	Dynamic C kN	Static C ₀ kN	M _P kN-m	M _Y kN-m	M _R kN-m	Rail kg/m	Carriage kg
MSA 15 A	15	15	60	20	7.5x5.3x4.5	11.8	18.9	0.12	0.12	0.14	1.5	0.18
MSA 20 A	20	18	60	20	9.5x8.5x6	19.2	29.5	0.23	0.23	0.29	2.4	0.4
MSA 20 LA						23.3	39.3	0.39	0.39	0.38		
MSA 25 A	23	22	60	20	11x9x7	28.1	42.4	0.39	0.39	0.48	3.4	0.62
MSA 25 LA						34.4	56.6	0.67	0.67	0.63		
MSA 30 A	28	26	80	20	14x12x9	39.2	57.8	0.62	0.62	0.79	4.8	1.09
MSA 30 LA						47.9	77	1.07	1.07	1.05		
MSA 35 A	34	29	80	20	14x12x9	52.0	75.5	0.93	0.93	1.25	6.6	1.61
MSA 35 LA						63.6	100.6	1.6	1.6	1.67		
MSA 45 A	45	38	105	22.5	20x17x14	83.8	117.9	1.81	1.81	2.57	11.5	2.98
MSA 45 LA						102.4	157.3	3.13	3.13	3.43		

Note: Request for size 55 and 65 MSA-A / MSA-LA carriage, please refer to MSA-E / MSA-LE carriage type



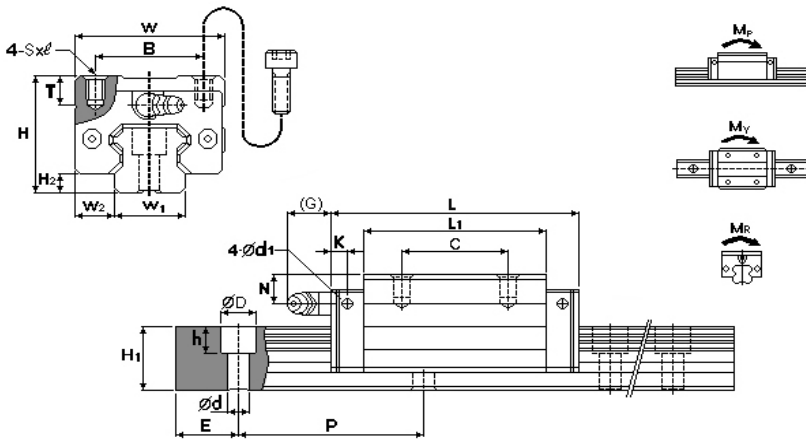
Model No	Bolt Size	
	S ₁	S ₂
MSA 15	M5	M4
MSA 20	M6	M5
MSA 25	M8	M6
MSA 30	M10	M8
MSA 35	M10	M8
MSA 45	M12	M10
MSA 55	M14	M12
MSA 65	M16	M14

Dimensions of MSA-E / MSA-LE

Unit: mm

Model No	External Dimensions						Carriage Dimensions										
	Width W	Height H	Length L	W ₂	H ₂	B	C	Sxt	L ₁	T	T ₁	T ₂	N	G	K	d ₁	Grease Nipple
MSA 15 E	47	24	56.3	16	4.2	38	30	M5x7	39.3	7	11	7	4.3	7	3.2	3.3	G-M4
MSA 20 E	63	30	72.9	21.5	5	53	40	M6x10	51.3	7	10	10	5	12	5.8	3.3	G-M6
MSA 20 LE			88.8						67.2								
MSA 25 E	70	36	81.6	23.5	6.5	57	45	M8x10	59	11	16	10	6	12	5.8	3.3	G-M6
MSA 25 LE			100.6						78								
MSA 30 E	90	42	97	31	8	72	52	M10x10	71.4	11	18	10	7	12	6.5	3.3	G-M6
MSA 30 LE			119.2						93.6								
MSA 35 E	100	48	111.2	33	9.5	82	62	M10x13	81	13	21	13	8	11.5	8.6	3.3	G-M6
MSA 35 LE			136.6						106.4								
MSA 45 E	120	60	137.7	37.5	10	100	80	M12x15	102.5	13	25	15	10	13.5	10.6	3.3	G-PT1/8
MSA 45 LE			169.5						134.3								
MSA 55 E	140	70	161.5	43.5	13	116	95	M14x17	119.5	19	32	17	11	13.5	8.6	3.3	G-PT1/8
MSA 55 LE			199.5						157.5								
MSA 65 E	170	90	199	53.5	15	142	110	M16x23	149	21.5	37	23	19	13.5	8.6	3.3	G-PT1/8
MSA 65 LE			253						203								

Model No	Rail Dimensions					Basic Load Rating		Static Movement Rating			Weight	
	Width W ₁	Height H ₁	Pitch P	E std.	D x h x d	Dynamic C kN	Static C ₀ kN	M _P kN-m	M _Y kN-m	M _R kN-m	Carriage kg	Rail kg/m
MSA 15 E	15	15	60	20	7.5x5.3x4.5	11.8	18.9	0.12	0.12	0.14	0.18	1.5
MSA 20 E	20	18	60	20	9.5x8.5x6	19.2	29.5	0.23	0.23	0.29	0.4	2.4
MSA 20 LE						23.3	39.3	0.39	0.39	0.38	0.52	
MSA 25 E	23	22	60	20	11x9x7	28.1	42.4	0.39	0.39	0.48	0.62	3.4
MSA 25 LE						34.4	56.6	0.67	0.67	0.63	0.82	
MSA 30 E	28	26	80	20	14x12x9	39.2	57.8	0.62	0.62	0.79	1.09	4.8
MSA 30 LE						47.9	77.0	1.07	1.07	1.05	1.43	
MSA 35 E	34	29	80	20	14x12x9	52.0	75.5	0.93	0.93	1.25	1.61	6.6
MSA 35 LE						63.6	100.6	1.60	1.60	1.67	2.11	
MSA 45 E	45	38	105	22.5	20x17x14	83.8	117.9	1.81	1.81	2.57	2.98	11.5
MSA 45 LE						102.4	157.3	3.13	3.13	3.43	3.9	
MSA 55 E	53	44	120	30	23x20x16	123.6	169.8	3.13	3.13	4.50	4.17	15.5
MSA 55 LE						151.1	226.4	5.40	5.40	6.00	5.49	
MSA 65 E	63	53	150	35	26x22x18	198.8	265.3	6.11	6.11	8.36	8.73	21.9
MSA 65 LE						253.5	375.9	11.84	11.84	11.84	11.89	

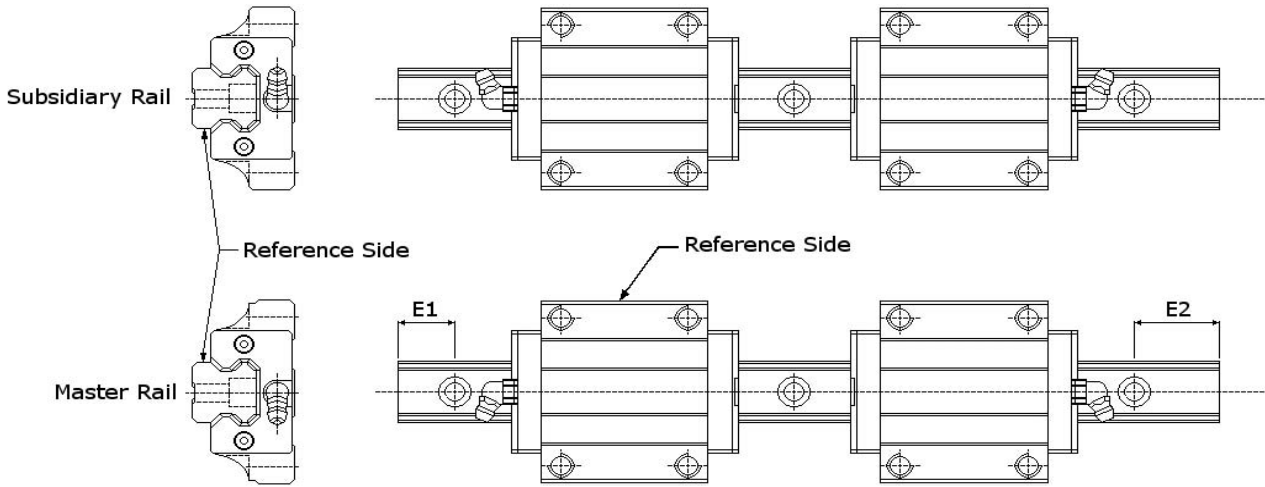


Dimensions of MSA-S / MSA-LS

Unit: mm

Model No	External Dimensions					Carriage Dimensions									
	Width W	Height H	Length L	W ₂	H ₂	B	C	SxL	L ₁	T	N	G	K	d ₁	Grease Nipple
MSA 15 S	28	34	56.3	9.5	4.2	26	26	M4x5	39.3	7.2	8.3	7	3.2	3.3	G-M4
MSA 20 S	30	44	72.9	12	5	32	36	M5x6	51.3	8	5	12	5.8	3.3	G-M6
MSA 20 LS			88.8						67.2						
MSA 25 S	40	48	81.6	12.5	6.5	35	35	M6x8	59	10	10	12	5.8	3.3	G-M6
MSA 25 LS			100.6						78						
MSA 30 S	45	60	97	16	8	40	40	M8x10	71.4	11.7	10	12	6.5	3.3	G-M6
MSA 30 LS			119.2						93.6						
MSA 35 S	55	70	111.2	18	9.5	50	50	M8x12	81	12.7	15	11.5	8.6	3.3	G-M6
MSA 35 LS			136.6						106.4						
MSA 45 S	70	86	137.7	20.5	10	60	60	M10x17	102.5	16	20	13.5	10.6	3.3	G-PT1/8
MSA 45 LS			169.5						134.3						
MSA 55 S	80	100	161.5	23.5	13	75	75	M12x18	119.5	18	21	13.5	8.6	3.3	G-PT1/8
MSA 55 LS			199.5						157.5						
MSA 65 S	90	126	199	31.5	15	76	70	M16x20	149	23	19	13.5	8.6	3.3	G-PT1/8
MSA 65 LS			253						203						

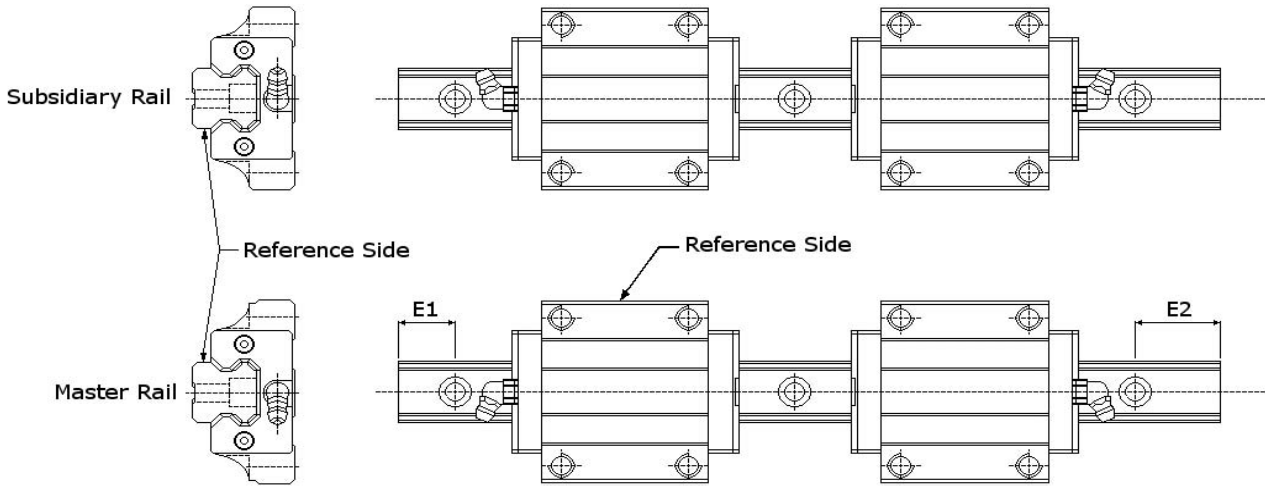
Model No	Rail Dimensions					Basic Load Rating		Static Movement Rating			Weight	
	Width W ₁	Height H ₁	Pitch P	E std.	D x h x d	Dynamic C kN	Static C ₀ kN	M _P kN-m	M _Y kN-m	M _R kN-m	Rail kg/m	Carriage kg
MSA 15 S	15	15	60	20	7.5 x 5.3 x 4.5	11.8	18.9	0.12	0.12	0.14	1.5	0.18
MSA 20 S	20	18	60	20	9.5 x 8.5 x 6	19.2	29.5	0.23	0.23	0.29	2.4	0.3
MSA 20 LS						23.3	39.3	0.39	0.39	0.38	0.39	
MSA 25 S	23	22	60	20	11 x 9 x 7	28.1	42.4	0.39	0.39	0.48	3.4	0.52
MSA 25 LS						34.4	56.6	0.67	0.67	0.63	0.68	
MSA 30 S	28	26	80	20	14 x 12 x 9	39.2	57.8	0.62	0.62	0.79	4.8	0.86
MSA 30 LS						47.9	77.0	1.07	1.07	1.05	1.12	
MSA 35 S	34	29	80	20	14 x 12 x 9	52.0	75.5	0.93	0.93	1.25	6.6	1.45
MSA 35 LS						63.6	100.6	1.60	1.60	1.67	1.9	
MSA 45 S	45	38	105	22.5	20 x 17 x 14	83.8	117.9	1.81	1.81	2.57	11.5	2.83
MSA 45 LS						102.4	157.3	3.13	3.13	3.43	3.7	
MSA 55 S	53	44	120	30	23 x 20 x 16	123.6	169.8	3.13	3.13	4.50	15.5	4.12
MSA 55 LS						151.1	226.4	5.40	5.40	6.00	4.91	
MSA 65 S	63	53	150	35	26 x 22 x 18	198.8	265.3	6.11	6.11	8.36	21.9	6.43
MSA 65 LS						253.5	375.9	11.84	11.84	11.84	8.76	



Description of Specification (Non-Interchangeable Type)

	MSB	25	E	2	SS	F0	A	+R	1200	-20	/40	P	A	II
Series: MSB														
Size: 15, 20, 25, 30, 35														
Carriage Type: (1) Medium Load TE : Flange type, mounting from top or bottom TS : Square type (2) Heavy Load E : Flange type, mounting from top or bottom S : Square type (3) Ultra Heavy Load LS : Square type														
Number of carriages per rail: 1, 2, 3 ...														
Dust protection option: No symbol, UU, SS, ZZ, DD, KK, LL, RR														
Preload: FC (Light preload), F0 (Medium preload), F1 (Heavy preload)														
Code of special carriage: No symbol, A, B ...														
Rail type: R, U⁽¹⁾ (Counter-bore type), T (Tapped hole type)														
Rail length (mm)														
Rail hole pitch from start side (E1)														
Rail hole pitch to the end side (E2)														
Accuracy grade: N, H, P, SP, UP														
Code of special rail: No symbol, A, B ...														
Number of rails per axis: No symbol, II, III, IV ...														

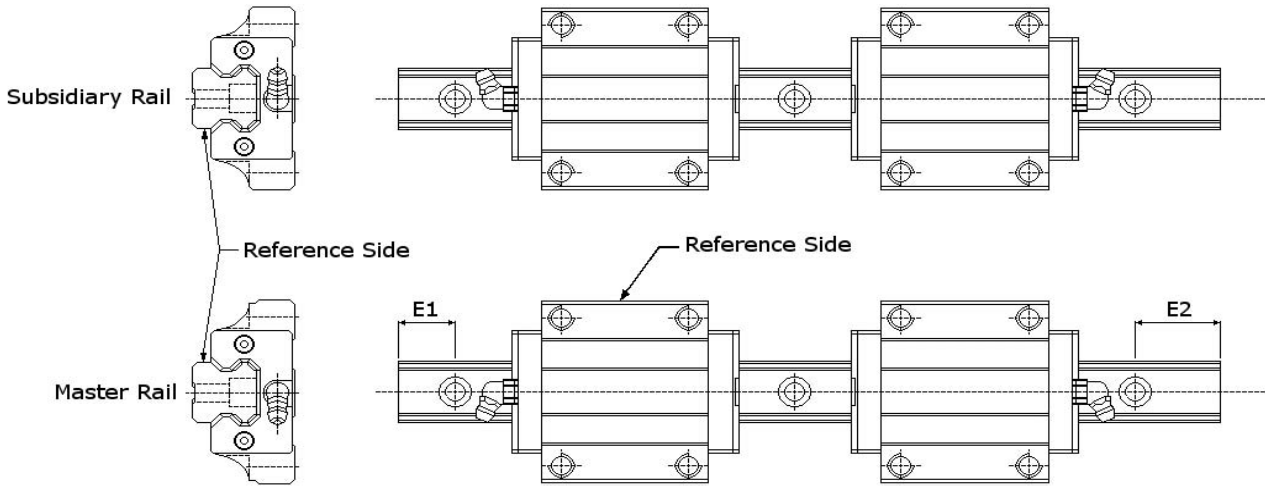
Note: ⁽¹⁾ **U** type rail is only applicable for MSB15 with M4 mounting hole.



Description of Specification (Interchangeable Type)

Code of Carriage

	MSB	25	E	SS	FC	N	A
Series: MSB							
Size: 15, 20, 25, 30, 35							
Carriage Type:							
(1) Medium Load							
TE : Flange type, mounting from top or bottom							
TS : Square type							
(2) Heavy Load							
E : Flange type, mounting from top or bottom							
S : Square type							
(3) Ultra Heavy Load							
LS : Square type							
Dust protection option: No symbol, UU, SS, ZZ, DD, KK, LL, RR							
Preload: FC (Light preload),							
Accuracy grade: N, H							
Code of special carriage: No symbol, A, B ...							



Description of Specification (Interchangeable Type)

Code of Rail

	MSB	25	R	1200	-20	/40	N	A
Series: MSB								
Size: 15, 20, 25, 30, 35								
Rail type: R, U⁽¹⁾ (Counter-bore type), T (Tapped hole type)								
Rail length (mm)								
Rail hole pitch from start side (E1)								
Rail hole pitch to end side (E2)								
Accuracy grade: N, H								
Code of special rail: No symbol, A, B, ...								

Note: ⁽¹⁾ U type rail is only applicable for MSB15 with M4 mounting hole.



MSA Seires - Heavy Load Type

Preload Grade

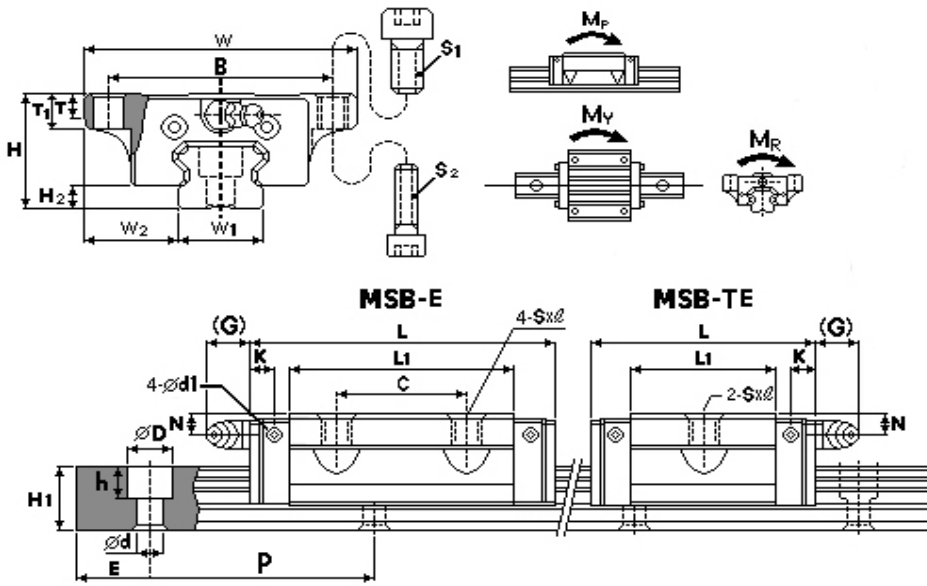
The prelaod grade of MSB series is represented by radial clearance which is divided into three grades; light (FC), medium (F0) and heavy (F1)

Unit: μm

Model No.	Preload		
	Light FC	Medium F0	Heavy F1
MSB 15	-4 ~ +2	-10 ~ -4	-
MSB 20	-5 ~ +2	-12 ~ -5	-17 ~ -12
MSB 25	-6 ~ +3	-15 ~ -6	-21 ~ -15
MSB 30	-7 ~ +4	-18 ~ -7	-16 ~ -18
MSB 35	-8 ~ +4	-20 ~ -8	-31 ~ -20

Regidity Value

	Model No.		Preload (N/ μm)		
			Light FC	Medium F0	Heavy F1
Medium Load Type	MSB 15	TE, TS	127	188	-
	MSB 20	TE, TS	150	247	292
	MSB 25	TE, TS	192	337	394
	MSB 30	TE, TS	215	380	444
Heavy Load Type	MSB 15	E, S	202	336	-
	MSB 20	E, S	228	395	462
	MSB 25	E, S	282	497	581
	MSB 30	E, S	342	601	702
	MSB 35	S	396	699	817
Ultra Heavy Load Type	MSB 35	LS	513	894	1047



Model No	Bolt Size	
	S ₁	S ₂
MSB 15	M5	M4
MSB 20	M6	M5
MSB 25	M8	M6
MSB 30	M10	M8

Dimensions of MSB-TE / MSB-E

Unit: mm

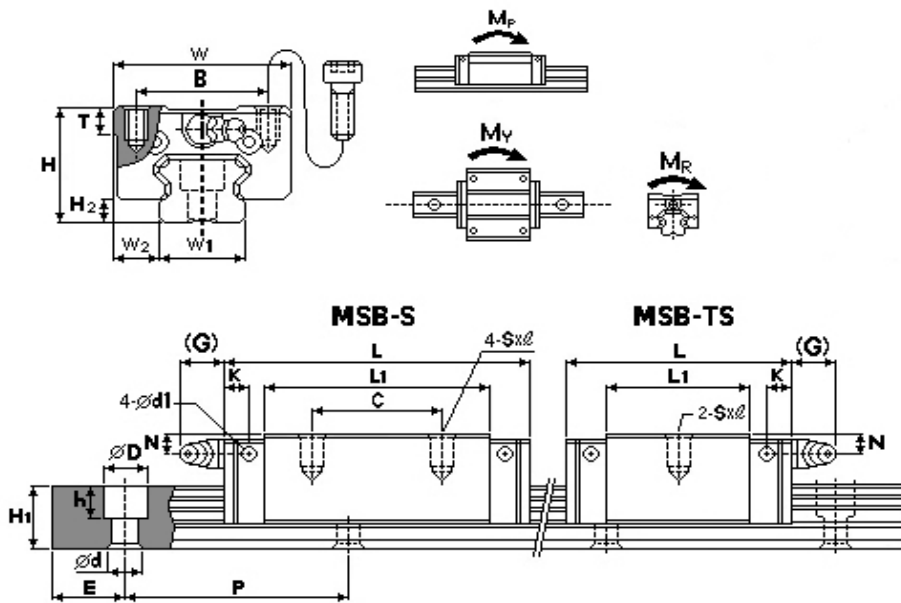
Model No	External Dimensions					Carriage Dimensions										
	Width W	Height H	Length L	W ₂	H ₂	B	C	Sxℓ	L ₁	T	T ₁	N	G	K	d ₁	Grease Nipple
MSB 15 TE MSB 15 E	52	24	40 57	18.5	4.5	41	- 26	M5x7	23.5 40.5	5	7	5.5	5.5	5.1	3.3	G-M4
MSB 20 TE MSB 20 E	59	28	48 67	19.5	6	49	- 32	M6x9	29 48	5	9	5.5	12	5.9	3.3	G-M6
MSB 25 TE MSB 25 E	73	33	60.2 82	25	7	60	- 35	M8x10	38.7 60.5	7	10	6	12	6.3	3.3	G-M6
MSB 30 TE MSB 30 E	90	42	68 96.7	31	9.5	72	- 40	M10x10	43.3 72	7	10	8	12	6.3	3.3	G-M6

Model No	Rail Dimensions					Basic Load Rating		Static Movement Rating			Weight	
	Width W ₁	Height H ₁	Pitch P	E std.	D x h x d	Dynamic C kN	Static C ₀ kN	M _p kN-m	M _y kN-m	M _r kN-m	Carriage kg	Rail kg/m
MSB 15 TE MSB 15 E	15	12.5	60	20	*6x4.5x3.5 (7.5x5.3x4.5)	6.7 10.0	9.6 16.9	0.04 0.10	0.04 0.10	0.07 0.13	0.12 0.21	1.2
MSB 20 TE MSB 20 E	20	15	60	20	9.5x8.5x6	9.7 13.9	14.2 23.6	0.07 0.18	0.07 0.18	0.14 0.24	0.20 0.34	2
MSB 25 TE MSB 25 E	23	18	60	20	11x9x7	15.6 22.3	22.1 36.9	0.13 0.35	0.13 0.35	0.26 0.43	0.39 0.60	3
MSB 30 TE MSB 30 E	28	23	80	20	11x9x7	23.1 32.9	31.8 53.1	0.23 0.60	0.23 0.60	0.45 0.74	0.65 1.08	4.4

*Rail mounting holes for M3 (6x4.5x3.5) and M4 (7.5x5.3x4.5) are available for MSB 15 rail. The codes of a rail type are:

MSB15R for M3 mounting holes

MSB15U for M4 mounting holes



Dimensions of MSB-TS / MSB-S / MSB-LS

Unit: mm

Model No	External Dimensions					Carriage Dimensions									
	Width W	Height H	Length L	W ₂	H ₂	B	C	SxL	L ₁	T	N	G	K	d ₁	Grease Nipple
MSB 15 TS	34	24	40	9.5	4.5	26	-	M4x6	23.5	6	5.5	5.5	5.1	3.3	G-M4
MSB 15 S			57				26		40.5						
MSB 20 TS	42	28	48	11	6	32	-	M5x7	29	6	5.5	12	5.9	3.3	G-M6
MSB 20 S			67				32		48						
MSB 25 TS	48	33	60.2	12.5	7	35	-	M6x9	38.7	8	6	12	6.3	3.3	G-M6
MSB 25 S			82				35		60.5						
MSB 30 TS	60	42	68	16	9.5	40	-	M8x12	43.3	8	8	12	6.3	3.3	G-M6
MSB 30 S			96.7				40		72						
MSB 35 S	70	48	112	18	9.5	50	50	M8x12	80	12.5	8.5	11.5	9.8	3.3	G-M6
MSB 35 LS			137.5				72		105.5						

Model No	Rail Dimensions					Basic Load Rating		Static Movement Rating			Weight	
	Width W ₁	Height H ₁	Pitch P	E std.	D x h x d	Dynamic C kN	Static C ₀ kN	M _P kN-m	M _Y kN-m	M _R kN-m	Rail kg/m	Carriage kg
MSB 15 TS	15	12.5	60	20	*6x4.5x3.5	6.7	9.6	0.04	0.04	0.07	1.2	0.09
MSB 15 S					(7.5x5.3x4.5)	10.0	16.9	0.10	0.10	0.13		
MSB 20 TS	20	15	60	20	9.5x8.5x6	9.7	14.2	0.07	0.07	0.14	2	0.16
MSB 20 S						13.9	23.6	0.18	0.18	0.24		0.26
MSB 25 TS	23	18	60	20	11x9x7	15.6	22.1	0.13	0.13	0.26	3	0.29
MSB 25 S						22.3	36.9	0.35	0.35	0.43		0.45
MSB 30 TS	28	23	80	20	11x9x7	23.1	31.8	0.23	0.23	0.45	4.4	0.52
MSB 30 S						32.9	53.1	0.60	0.60	0.74		0.86
MSB 35 S	34	27.5	80	20	14x12x9	52.0	75.5	0.93	0.93	1.28	6.2	1.13
MSB 35 LS						63.6	100.6	1.60	1.60	1.71		1.49

*Rail mounting holes for M3 (6x4.5x3.5) and M4 (7.5x5.3x4.5) are available for MSB 15 rail. The codes of a rail type are:

MSB15R for M3 mounting holes

MSB15U for M4 mounting holes