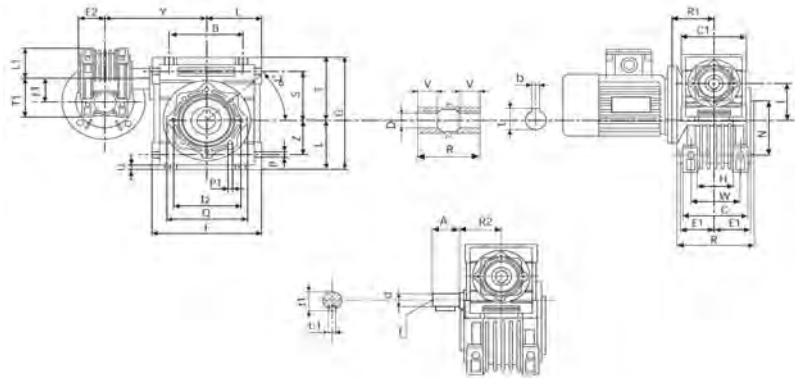




**DIMENSIONS OF  
COMBINED GEARS  
CHM-CHM/CHMR-CHM**



CHM-CHM	B	A	F	C1	D(H7)	d(j6)	G	H	R1	R	R2	L	L1	I
030/040	70	20	100	80	18	9	121.5	43	55	78	51	50	40	40
030/050	80	20	120	80	25	9	144	49	55	92	51	60	40	50
030/063	100	20	144	80	25	9	174	67	55	112	51	72	40	63
040/075	120	23	172	100	28	11	205	72	70	120	60	86	50	75
040/090	140	23	208	100	35	11	238	74	70	140	60	103	50	90
050/110	170	30	252.5	120	42	14	295	-	80	155	74	127.5	60	110
063/130	200	40	292.5	144	45	19	335	-	95	170	90	147.5	72	130

CHM-CHM	I1	C	I2	N(H8)	E1	E2	P	Q	S	T	T1	U	V	Z
030/040	30	71	75	60	36.5	29	6.5	87	55	71.5	57	6.5	26	35
030/050	30	85	85	70	43.5	29	8.5	100	64	84	57	7	30	40
030/063	30	103	95	80	53	29	8.5	110	80	102	57	8	36	50
040/075	40	112	115	95	57	36.5	11	140	93	119	71.5	10	40	60
040/090	40	130	130	110	67	36.5	13	160	102	135	71.5	11	45	70
050/110	50	144	165	130	74	43.5	14	200	125	167.5	84	14	50	85
063/130	63	155	215	180	81	53	16	250	140	187.5	102	15	60	100

CHM-CHM	Y	W	P1	a	b	b1	f	t	t1	Weight in kg excluding motor
030/040	120	60	M6x8(n.4)	45°	6	3	-	20.8	10.2	3.9
030/050	130	70	M8x10(n.4)	45°	8	3	-	28.3	10.2	5.0
030/063	145	85	M8x14(n.8)	45°	8	3	-	28.3	10.2	7.8
040/075	165	90	M8x14(n.8)	45°	8	4	-	31.3	12.5	11.5
040/090	182	100	M10x18(n.8)	45°	10	4	-	38.3	12.5	15
050/110	225	115	M10x18(n.8)	45°	12	5	M6	45.3	16.0	39.2
063/130	245	120	M12x21(n.4)	45°	14	6	M6	48.8	21.5	70

If a dimension is critical to your application please contact our sales department for confirmation.  
Please note : errors and omissions excepted.