

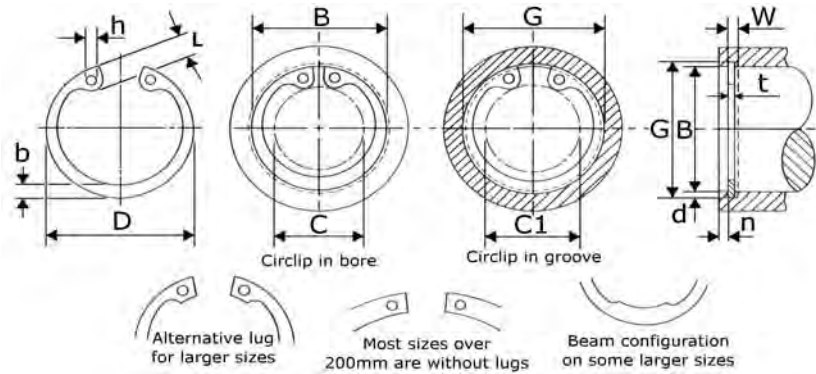


## D1300

### Standard Internal Circlips

### (Metric)

### European Specifications



Denotes Preferred Sizes

CODE	Bore B	Groove (G)						Circlip (F)									Wt. (kg/k)
		G	Tol.	W	Tol.	n d (min)	~	t	Tol.	D	Tol.	C	C1	L (max)	b ~	h (min)	
1300/8	8	8.4	+0.09	0.9		0.6	0.2	0.8	+0.00	8.7		3	3.6	2.4	1.1	1	0.11
1300/9	9	9.4	-0.00	0.9		0.6	0.2	0.8	-0.05	9.8		3.7	4.4	2.5	1.3	1	0.17
1300/9.5	9.5	9.9		1.1		0.6	0.2	1		10.3		3.2	3.9	3	1.3	1.2	0.22
1300/10	10	10.4		1.1		0.6	0.2	1		10.8		3.3	4	3.2	1.4	1.2	0.24
1300/11	11	11.4		1.1		0.6	0.2	1		11.8	+0.36	4.1	4.8	3.3	1.5	1.2	0.3
1300/12	12	12.5		1.1		0.8	0.3	1		13	0.10	4.9	5.7	3.4	1.7	1.5	0.34
1300/13	13	13.6	+0.11	1.1		0.9	0.3	1		14.1		5.4	6.4	3.6	1.8	1.5	0.39
1300/14	14	14.6	-0.00	1.1		0.9	0.3	1		15.1		6.2	7.2	3.7	1.9	1.7	0.45
1300/15	15	15.7		1.1		1.1	0.4	1		16.2		7.2	8.3	3.7	2	1.7	0.48
1300/16	16	16.8		1.1		1.2	0.4	1		17.3		8	9.2	3.8	2	1.7	0.54
1300/17	17	17.8		1.1		1.2	0.4	1		18.3		8.8	10	3.9	2.1	1.7	0.59
1300/18	18	19		1.1		1.5	0.5	1		19.5		9.4	10.8	4.1	2.2	2	0.61
1300/19	19	20	+0.13	1.1		1.5	0.5	1		20.5	+0.42	10.4	11.8	4.1	2.2	2	0.72
1300/20	20	21	-0.00	1.1		1.5	0.5	1		21.5	0.13	11.2	12.6	4.2	2.3	2	0.75
1300/21	21	22		1.1		1.5	0.5	1		22.5		12.2	13.6	4.2	2.4	2	0.84
1300/22	22	23		1.1		1.5	0.5	1		23.5		13.2	14.6	4.2	2.5	2	0.86
1300/23	23	24.1		1.3		1.7	0.6	1.2		24.6		14.2	15.7	4.2	2.5	2	1.2
1300/24	24	25.2		1.3		1.8	0.6	1.2		25.9	+0.42	14.8	16.4	4.4	2.6	2	1.21
1300/25	25	26.2	+0.21	1.3	+0.14	1.8	0.6	1.2	+0.00	26.9	0.21	15.5	17.2	4.5	2.7	2	1.33
1300/26	26	27.2	-0.00	1.3	0.00	1.8	0.6	1.2	-0.06	27.9		16.1	17.8	4.7	2.8	2	1.35
1300/27	27	28.4		1.3		2.1	0.7	1.2		29.1		17.1	19	4.7	2.9	2	1.55
1300/28	28	29.4		1.3		2.1	0.7	1.2		30.1		17.9	19.8	4.8	2.9	2	1.64
1300/29	29	30.4		1.3		2.1	0.7	1.2		31.1		18.9	20.8	4.8	3	2	1.74
1300/30	30	31.4		1.3		2.1	0.7	1.2		32.1		19.9	21.8	4.8	3	2	1.87
1300/31	31	32.7		1.3		2.6	0.9	1.2		33.4		20	22.3	5.2	3.2	2.5	2.2
1300/32	32	33.7		1.3		2.6	0.9	1.2		34.4	+0.50	20.6	22.9	5.4	3.2	2.5	1.98
1300/33	33	34.7		1.3		2.6	0.9	1.2		35.5	0.25	21.6	23.9	5.4	3.3	2.5	2.13
1300/34	34	35.7		1.6		2.6	0.9	1.5		36.5		22.6	24.9	5.4	3.3	2.5	2.88
1300/35	35	37		1.6		3	1	1.5		37.8		23.6	26.2	5.4	3.4	2.5	2.93
1300/36	36	38	+0.25	1.6		3	1	1.5		38.8		24.6	27.2	5.4	4	2.5	3.23
1300/37	37	39	-0.00	1.6		3	1	1.5		39.8		25.4	28	5.5	3.2	2.5	2.98
1300/38	38	40		1.6		3	1	1.5		40.8		26.4	29	5.5	3.7	2.5	3.54
1300/40	40	42.5		1.85		3.8	1.3	1.75		43.5		27.8	30.9	5.8	3.9	2.5	4.63
1300/41	41	43.5		1.85		3.8	1.3	1.75		44.5	+0.90	28.6	31.7	5.9	4	2.5	5.37
1300/42	42	44.5		1.85		3.8	1.3	1.75		45.5	0.39	29.6	32.7	5.9	4.1	2.5	5.21
1300/45	45	47.5		1.85		3.8	1.3	1.75		48.5		32	35.1	6.2	4.3	2.5	5.88
1300/47	47	49.5		1.85		3.8	1.3	1.75		50.5	+1.10 -0.46	33.5	36.7	6.4	4.4	2.5	6.13

For more sizes please contact our sales team.

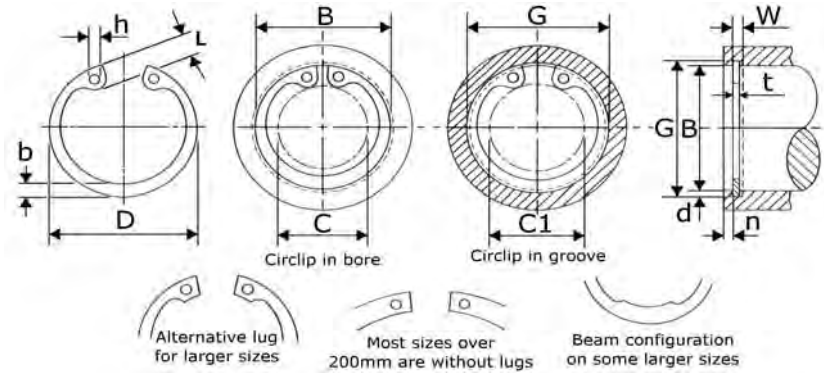
All dimensions in mm unless stated otherwise.

If a dimension is critical to your application please contact our sales department for confirmation.

Please note : errors and omissions excepted.



## D1300 Standard Internal Circlips (Metric) European Specifications



Denotes Preferred Sizes

CODE	Bore B	Groove (G)						Circlip (F)										Wt. (kg/k)
		G	Tol.	W	Tol.	n d (min)	~	t	Tol.	D	Tol.	C	C1	L (max)	b ~	h (min)		
1300/48	48	50.5	+0.30	1.85		3.8	1.3	1.75	+0.00-0.06	51.5		34.5	37.7	6.4	4.5	2.5	6.31	
1300/50	50	53	-0.00	2.15		4.5	1.5	2	+0.00	54.2		36.3	40	6.5	4.6	2.5	8.01	
1300/51	51	54		2.15		4.5	1.5	2	-0.07	55.2		37.3	41	6.5	4.7	2.5	8.72	
1300/52	52	55		2.15		4.5	1.5	2		56.2		37.9	41.6	6.7	4.7	2.5	8.91	
1300/55	55	58		2.15		4.5	1.5	2		59.2		40.7	44.4	6.8	5	2.5	9.44	
1300/56	56	59		2.15		4.5	1.5	2		60.2		41.7	45.4	6.8	5.1	2.5	9.75	
1300/57	57	60		2.15		4.5	1.5	2		62.2		42.7	46.4	6.8	5.1	2.5	9.56	
1300/58	58	61		2.15		4.5	1.5	2		62.2		43.5	47.2	6.9	5.2	2.5	10.36	
1300/60	60	63		2.15		4.5	1.5	2		64.2	+1.10	44.7	48.4	7.3	5.4	2.5	11.15	
1300/62	62	65		2.15		4.5	1.5	2		66.2	0.46	46.7	50.4	7.3	5.5	2.5	11.59	
1300/63	63	66	+0.30	2.15	+0.14	4.5	1.5	2		67.2		47.7	51.4	7.3	5.6	2.5	11.78	
1300/64	64	67	-0.00	2.15	0.00	4.5	1.5	2	+0.00	68.2		48.7	52.4	7.3	5.2	2.5	16.8	
1300/65	65	68		2.65		4.5	1.5	2	-0.07	69.2		49	52.8	7.6	5.8	3	17.71	
1300/67	67	70		2.65		4.5	1.5	2.5		72.5		50.8	54.6	7.7	6	3	17.71	
1300/68	68	71		2.65		4.5	1.5	2.5		72.5		51.6	55.4	7.8	6.1	3	17.72	
1300/70	70	73		2.65		4.5	1.5	2.5		74.5		53.6	57.4	7.8	6.2	3	17.65	
1300/72	72	75		2.65		4.5	1.5	2.5		76.5		55.6	59.4	7.8	6.4	3	19.7	
1300/75	75	78		2.65		4.5	1.5	2.5		79.5		58.6	62.4	7.8	6.6	3	20.62	
1300/76	76	79		2.65		4.5	1.5	2.5		80.7		59.6	63.4	7.8	6.1	3	22.68	
1300/78	78	81		2.65		4.5	1.5	2.5		82.5		60.1	64	8.5	6.8	3	22.46	
1300/80	80	83.5		2.65		5.3	1.8	2.5		85.5		62.1	66.5	8.5	7	3	21.38	
1300/82	82	85.5		2.65		5.3	1.8	2.5		87.5		64.1	68.5	8.5	6.2	3	22.27	
1300/85	85	88.5		3.15		5.3	1.8	3		90.5		66.9	71.3	8.6	7.2	3.5	31.78	
1300/88	88	91.5	+0.35	3.15		5.3	1.8	3		93.5		69.9	74.3	8.6	7.4	3.5	32.94	
1300/90	90	93.5	-0.00	3.15		5.3	1.8	3		95.5		71.9	76.3	8.6	7.6	3.5	33.35	
1300/92	92	95.5		3.15		5.3	1.8	3	+0.00	97.5	+1.30	79.9	78.1	8.7	7.8	3.5	35.72	
1300/95	95	98.5		3.15		5.3	1.8	3	-0.08	100.5	0.54	76.5	80.9	8.8	8.1	3.5	38.88	
1300/98	98	101.5		3.15		5.3	1.8	3		103.5		79	83.5	9	8.3	3.5	42.16	
1300/100	100	103.5		3.15		5.3	1.8	3		105.5		80.6	85.1	9.2	8.4	3.5	43.41	
1300/102	102	106		4.15	+0.18	6	2	4		108		82	87	9.5	8.5	3.5	55.2	
1300/105	105	109		4.15	0.00	6	2	4		112		85	90	9.5	8.7	3.5	59.2	
1300/108	108	112	+0.54	4.15		6	2	4		115		88	93	9.5	8.9	3.5	62.6	
1300/110	110	114	-0.00	4.15		6	2	4	+0.00	117		88.2	93.2	10.4	9	3.5	71.75	
1300/112	112	116		4.15		6	2	4	-0.10	119		90	95	10.5	9.1	3.5	70.68	
1300/115	115	119		4.15		6	2	4		122	+1.50	93	98	10.5	9.3	3.5	73.16	
1300/120	120	124	+0.63	4.15		6	2	4		127	0.63	96.9	102	11	9.7	3.5	80.4	
1300/125	125	129	-0.00	4.15		6	2	4		132		101.9	107	11	10	4	81.2	

For more sizes please contact our sales team.

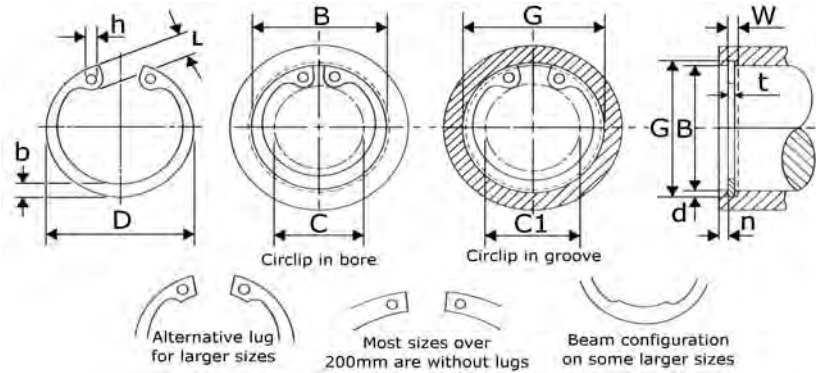
All dimensions in mm unless stated otherwise.

If a dimension is critical to your application please contact our sales department for confirmation.

Please note : errors and omissions excepted.



## D1300 Standard Internal Circlips (Metric) European Specifications



Denotes Preferred Sizes

CODE	Bore B	Groove (G)						Circlip (F)									Wt. (kg/k)
		G	Tol.	W	Tol.	n d (min)	~	t	Tol.	D	Tol.	C	C1	L (max)	b ~	h (min)	
1300/127	127	131		4.15		6	2	4		135		103.9	109	11	10	4	80.8
1300/130	130	134		4.15		6	2	4		137		106.9	112	11	10.2	4	85.13
1300/135	135	139		4.15		6	2	4		142		111.5	116	11.2	10.5	4	94.79
1300/140	140	144		4.15		6	2	4		147		116.5	121	11.2	10.7	4	98.61
1300/145	145	149		4.15		6	2	4		152	+1.50	121	126	11.4	10.9	4	106.5
1300/150	150	155	+0.63 -0.00	4.15		7.5	2.5	4		158	0.63	124.8	131	12	11.2	4	106.8
1300/155	155	160		4.15		7.5	2.5	4		164		129.8	136	12	11.4	4	128
1300/160	160	165		4.15		7.5	2.5	4	+0.00	169		132.7	139	13	11.6	4	130.5
1300/165	165	170		4.15		7.5	2.5	4	-0.10	174.5		137.7	144	13	11.8	4	132
1300/170	170	175		4.15		7.5	2.5	4		179.5		141.6	148	13.5	12	4	149.5
1300/175	175	180		4.15		7.5	2.5	4		184.5		146.6	153	13.5	12	4	158.5
1300/180	180	185		4.15		7.5	2.5	4		189.5		150.2	156	14.2	13	4	168
1300/185	185	190		4.15	+0.18	7.5	2.5	4		194.5		155.2	161	14.2	13	4	177.5
1300/190	190	195		4.15	0.00	7.5	2.5	4		199.5		160.2	166	14.3	13	4	184
1300/195	195	200		4.15		7.5	2.5	4		204.5	+1.70	165.2	171	14.2	13	4	189.6
1300/200	200	205	+0.72 -0.00	4.15		7.5	2.5	4		209.5	0.72	170.2	176	14.3	13	4	196
1300/210	210	216		5.15		9	3	5		222		180.2	187	14.2	14	4	263
1300/220	220	226		5.15		9	3	5		232		190.2	197	14.2	14	4	276
1300/230	230	236		5.15		9	3	5		242		200.2	207	14.2	14	4	291
1300/240	240	246		5.15		9	3	5		252		210.2	217	14.2	14	4	304
1300/250	250	256		5.15		9	3	5	+0.00	262		220.2	227	14.2	14	4	318.5
1300/260	260	268		5.15		12	4	5	-0.12	275		226	235	16.2	16	5	385
1300/270	270	278	+0.81 -0.00	5.15		12	4	5		285	+2.00	236	245	16.2	16	5	401.5
1300/280	280	288		5.15		12	4	5		295	0.81	246	255	16.2	16	5	417.5
1300/290	290	298		5.15		12	4	5		305		256	265	16.2	16	5	433.4
1300/300	300	308		5.15		12	4	5		315		266	275	16.2	16	5	446
1300/310	310	320		6.2		15	5	6		327		267.8	279	20.2	20	6	658.5
1300/320	320	330		6.2		15	5	6		337		277.8	289	20.2	20	6	682
1300/330	330	340		6.2		15	5	6		347		287.8	299	20.2	20	6	705
1300/340	340	350		6.2		15	5	6		357		297.8	309	20.2	20	6	729
1300/350	350	360	+0.89 -0.00	6.2	+0.22	15	5	6	+0.00	367	+2.50	307.8	319	20.2	20	6	752.5
1300/360	360	370		6.2	0.00	15	5	6	-0.18	377	1.00	317.8	329	20.2	20	6	769
1300/370	370	380		6.2		15	5	6		387		327.8	339	20.2	20	6	793
1300/380	380	390		6.2		15	5	6		397		337.8	349	20.2	20	6	817
1300/390	390	400		6.2		15	5	6		407		347.8	359	20.2	20	6	838.5
1300/400	400	410		6.2		15	5	6		417		357.8	369	20.2	20	6	862.5

For more sizes please contact our sales team.  
All dimensions in mm unless stated otherwise.  
If a dimension is critical to your application please contact our sales department for confirmation.  
Please note : errors and omissions excepted.