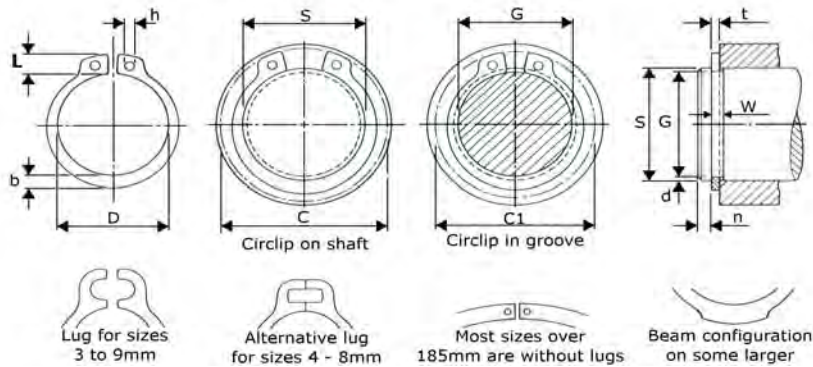




D1400 Standard External Circlips (Metric)

European Specifications

Denotes Preferred Sizes



CODE	Bore B	Groove (G)						Circlip (F)									Wt. (kg/k)
		G	Tol.	W	Tol.	n d (min)	~	t	Tol.	D	Tol.	C	C1	L (max)	b ~	h (min)	
1400/3	3	2.8	-0.04	0.5		0.3	0.1	0.4		2.7		7	6.6	1.9	0.8	1	0.02
1400/4	4	3.8	+0.00	0.5		0.3	0.1	0.4		3.7	+0.04	8.6	8.2	2.2	0.9	1	0.03
1400/5	5	4.8	-0.048	0.7		0.3	0.1	0.6	+0.00	4.7	-0.15	10.3	9.8	2.5	1.1	1	0.08
1400/6	6	5.7		0.8		0.5	0.15	0.7	-0.05	5.6		11.7	11.1	2.7	1.3	1.2	0.13
1400/7	7	6.7		0.9		0.5	0.15	0.8		6.5	+0.06	13.5	12.9	3.1	1.4	1.2	0.18
1400/8	8	7.6	+0.00	0.9		0.6	0.2	0.8		7.4	-0.18	14.7	14	3.2	1.5	1.2	0.2
1400/9	9	8.6	-0.06	1.1		0.6	0.2	1		8.4		16	15.2	3.3	1.7	1.5	0.32
1400/10	10	9.6		1.1		0.6	0.2	1		9.3		17	16.2	3.3	1.8	1.5	0.4
1400/11	11	10.5		1.1		0.8	0.25	1		10.2		18	17.1	3.3	1.8	1.7	0.41
1400/12	12	11.5		1.1		0.8	0.25	1		11		19	18.1	3.3	1.8	1.7	0.45
1400/13	13	12.4		1.1		0.9	0.3	1		11.9		20.2	19.2	3.4	2	1.7	0.52
1400/14	14	13.4	+0.00	1.1		0.9	0.3	1		12.9	+0.10	21.4	20.4	3.5	2.1	1.7	0.56
1400/15	15	14.3	-0.11	1.1		1.1	0.35	1		13.8	-0.36	22.6	21.5	3.6	2.2	1.7	0.62
1400/16	16	15.2		1.1		1.2	0.4	1		14.7		23.8	22.6	3.7	2.2	1.7	0.69
1400/17	17	16.2		1.1		1.2	0.4	1		15.7		25	23.8	3.8	2.3	1.7	0.77
1400/18	18	17		1.3		1.5	0.5	1.2		16.5		26.2	24.8	3.9	2.4	2	0.99
1400/19	19	18		1.3		1.5	0.5	1.2		17.5		27.2	25.8	3.9	2.5	2	1.1
1400/20	20	19		1.3	+0.14	1.5	0.5	1.2		18.5		28.4	27	4	2.6	2	1.18
1400/21	21	20	+0.00	1.3	-0.00	1.5	0.5	1.2		19.5	+0.13	29.6	28.2	4.1	2.7	2	1.26
1400/22	22	21	-0.13	1.3		1.5	0.5	1.2		20.5	-0.42	30.8	29.4	4.2	2.8	2	1.39
1400/23	23	22		1.3		1.5	0.5	1.2	+0.00	21.5		32	30.6	4.3	2.9	2	1.54
1400/24	24	22.9		1.3		1.7	0.55	1.2	-0.06	22.2		33.2	31.7	4.4	3	2	1.52
1400/25	25	23.9		1.3		1.7	0.55	1.2		23.2		34.2	32.7	4.4	3	2	1.7
1400/26	26	24.9	+0.00	1.3		1.7	0.55	1.2		24.2		35.5	33.9	4.5	3.1	2	1.75
1400/27	27	25.6	-0.21	1.3		2.1	0.7	1.2		24.9	+0.21	36.7	34.8	4.6	3.1	2	1.89
1400/28	28	26.6		1.6		2.1	0.7	1.5		25.9	-0.42	37.9	36	4.7	3.2	2	2.47
1400/29	29	27.6		1.6		2.1	0.7	1.5		26.9		39.1	37.2	4.8	3.4	2	2.75
1400/30	30	28.6		1.6		2.1	0.7	1.5		27.9		40.5	38.6	5	3.5	2	2.93
1400/32	32	30.3		1.6		2.6	0.85	1.5		29.6		43	40.7	5.2	3.6	2.5	3.02
1400/33	33	31.3		1.6		2.6	0.85	1.5		30.5		44	41.7	5.2	3.7	2.5	3.3
1400/34	34	32.3		1.6		2.6	0.85	1.5		31.5		45.4	43.1	5.4	3.8	2.5	3.72
1400/35	35	33	+0.00	1.6		3	1	1.5		32.2	+0.25	46.8	44.2	5.6	3.9	2.5	3.78
1400/36	36	34	-0.25	1.85		3	1	1.75		33.1	-0.50	47.8	45.2	5.6	4	2.5	4.55
1400/38	38	36		1.85		3	1	1.75		35.2		50.2	47.6	5.8	4.2	2.5	5.08
1400/40	40	37.5		1.85		3.8	1.25	1.75		36.5		52.6	49.5	6	5	2.5	5.54
1400/42	42	39.5		1.85		3.8	1.25	1.75		38.5	+0.39	55.7	52.5	6.5	5	2.5	5.99
1400/45	45	42.5		1.85		3.8	1.25	1.75		41.5	-0.90	59.1	55.9	6.7	5	2.5	6.75

For more sizes please contact our sales team.

All dimensions in mm unless stated otherwise.

If a dimension is critical to your application please contact our sales department for confirmation.

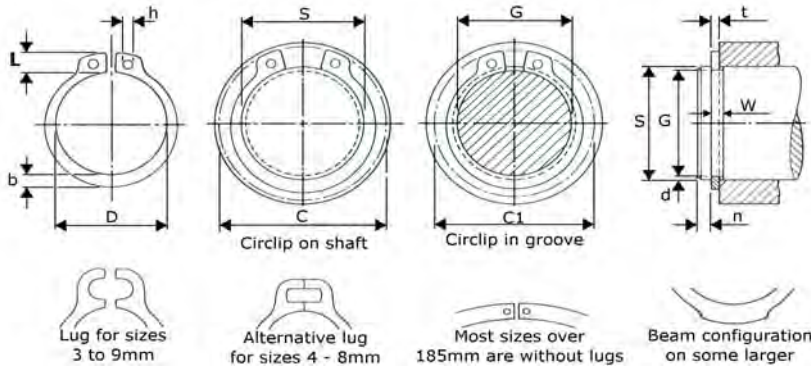
Please note : errors and omissions excepted.



D1400 Standard External Circlips (Metric)

European Specifications

Denotes Preferred Sizes



CODE	Bore B	Groove (G)						Circlip (F)									Wt. (kg/k)
		G	Tol.	W	Tol.	n	d (min)	~	t	Tol.	D	Tol.	C	C1	L (max)	b ~	
1400/46	46	43.5		1.85		3.8	1.25	1.75	+0.00	42.5		60.1	56.9	6.7	5	2.5	7.24
1400/47	47	44.5	+0.00	1.85		3.8	1.25	1.75	-0.06	43.5	+0.39	61.3	58.1	6.8	5	2.5	7.3
1400/48	48	45.5	-0.25	1.85		3.8	1.25	1.75		44.5	-0.90	62.5	59.3	6.9	5	2.5	7.51
1400/50	50	47		2.15		4.5	1.5	2		45.8		64.5	60.8	6.9	5.5	2.5	9.88
1400/52	52	49		2.15		4.5	1.5	2		47.8		66.7	63	7	5.5	2.5	9.53
1400/54	54	51		2.15		4.5	1.5	2		49.8		69	65.2	7.1	5.5	2.5	10.3
1400/55	55	52		2.15		4.5	1.5	2		50.8		70.2	66.4	7.2	5.5	2.5	10.41
1400/56	56	53		2.15		4.5	1.5	2		51.8		71.6	67.6	7.3	5.5	2.5	10.5
1400/58	58	55		2.15		4.5	1.5	2		53.8		73.6	69.6	7.3	5.6	2.5	12.47
1400/60	60	57		2.15		4.5	1.5	2		55.8		75.6	71.8	7.4	5.8	2.5	13.69
1400/62	62	59		2.15	+0.14	4.5	1.5	2		57.8		77.8	74	7.5	6	2.5	12.36
1400/63	63	60		2.15	-0.00	4.5	1.5	2		58.8		79	75.2	7.6	6.2	2.5	13.1
1400/65	65	62		2.65		4.5	1.5	2.5	+0.00	60.8		81.4	77.6	7.8	6.3	3	20.44
1400/67	67	64	+0.00	2.65		4.5	1.5	2.5	-0.07	62.5	+0.46	83.6	79.8	7.9	6.4	3	20.43
1400/68	68	65	-0.30	2.65		4.5	1.5	2.5		63.5	-1.10	84.4	81	8	6.5	3	19.55
1400/70	70	67		2.65		4.5	1.5	2.5		65.5		87	93.2	8.1	6.6	3	22.13
1400/72	72	69		2.65		4.5	1.5	2.5		67.5		89.2	85.4	8.2	6.8	3	21.6
1400/75	75	72		2.65		4.5	1.5	2.5		70.5		92.7	88.8	8.4	7	3	24.65
1400/77	77	74		2.65		4.5	1.5	2.5		72.5		94.9	91	8.5	7.2	3	24.26
1400/78	78	75		2.65		4.5	1.5	2.5		73.5		96.1	92.2	8.6	7.3	3	28.1
1400/80	80	76.5		2.65		5.3	1.75	2.5		74.5		98.1	93.7	8.6	7.4	3	26.68
1400/82	82	78.5		2.65		5.3	1.75	2.5		76.5		100.3	95.9	8.7	7.6	3	28.35
1400/85	85	81.5		3.15		5.3	1.75	3		79.5		103.3	98.9	8.7	7.8	3.5	35.4
1400/88	88	84.5		3.15		5.3	1.75	3		82.5		106.5	102	8.8	8	3.5	39.85
1400/90	90	86.5	+0.00	3.15		5.3	1.75	3	+0.00	84.5		108.5	104	8.8	8.2	3.5	38.89
1400/95	95	91.5	-0.35	3.15		5.3	1.75	3	-0.08	89.5		114.8	111	9.4	8.6	3.5	42.39
1400/98	98	94.5		3.15		5.3	1.75	3		91.5		118.6	114	9.8	9	3.5	54
1400/100	100	96.5		3.15		5.3	1.75	3		94.5		120.2	116	9.6	9	3.5	48.86
1400/102	102	98		4.15	+0.18	6	2	4		95	+0.54	122.4	118	9.7	9.2	3.5	69.73
1400/105	105	101		4.15	-0.00	6	2	4		98	-1.30	126.2	122	10.1	9.3	3.5	73.16
1400/108	108	104	+0.00	4.15		6	2	4		100		129	124	10	9.5	3.5	83.45
1400/110	110	106	-0.54	4.15		6	2	4		103		131.2	127	10.1	9.6	3.5	75.24
1400/115	115	111		4.15		6	2	4	+0.00	108		137.3	133	10.6	9.8	3.5	78.65
1400/120	120	116		4.15		6	2	4	-0.10	113		143.1	138	11	10.2	3.5	85.58
1400/125	125	121		4.15		6	2	4		118		149	144	11.4	10.4	4	99.62
1400/130	130	126	+0.00	4.15		6	2	4		123	+0.63	154.4	150	11.6	10.7	4	98.1
1400/135	135	131	-0.63	4.15		6	2	4		128	-1.50	159.8	155	11.8	11	4	113.4

For more sizes please contact our sales team.

All dimensions in mm unless stated otherwise.

If a dimension is critical to your application please contact our sales department for confirmation.

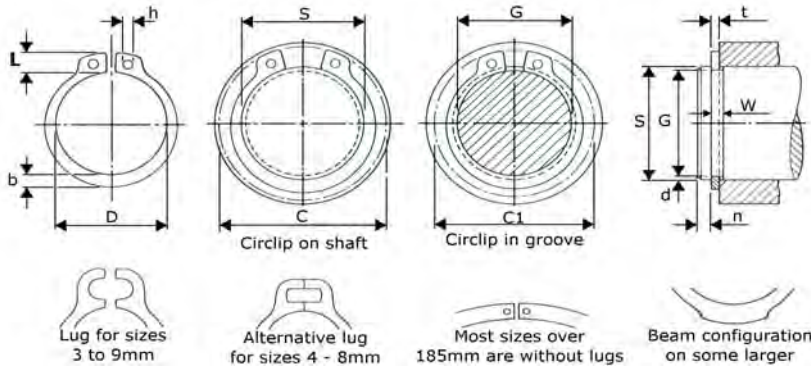
Please note : errors and omissions excepted.



D1400 Standard External Circlips (Metric)

European Specifications

Denotes Preferred Sizes



CODE	Bore B	Groove (G)						Circlip (F)									Wt. (kg/k)
		G	Tol.	W	Tol.	n d (min)	~	t	Tol.	D	Tol.	C	C1	L (max)	b ~	h (min)	
1400/140	140	136		4.15		6	2	4		133		165.2	160	12	11.2	4	119.18
1400/145	145	141		4.15		6	2	4		138		170.6	166	12.2	11.5	4	128.53
1400/150	150	145		4.15		7.5	2.5	4		142		177.3	171	13	11.8	4	132.8
1400/155	155	150		4.15		7.5	2.5	4		146		182.3	176	13	12	4	136.06
1400/160	160	155	+0.00	4.15		7.5	2.5	4		151	+0.63	188	182	13.3	12.2	4	137.5
1400/165	165	160	-0.63	4.15		7.5	2.5	4		155.5	-1.50	193.4	187	13.5	12.5	4	151.96
1400/170	170	165		4.15		7.5	2.5	4	+0.00	160.5	-0.10	198.4	192	13.5	12.9	4	169
1400/175	175	170		4.15		7.5	2.5	4		165.5		203.4	197	13.5	12.9	4	173.7
1400/180	180	175		4.15		7.5	2.5	4		170.5		210	204	14.2	13.5	4	188
1400/185	185	180		4.15		7.5	2.5	4		175.5		215.2	209	14.3	13.5	4	193
1400/190	190	185		4.15		7.5	2.5	4		180.5		220	214	14.2	14	4	203
1400/195	195	190		4.15	+0.18	7.5	2.5	4		185.5		225	219	14.2	14	4	209.5
1400/200	200	195		4.15	-0.00	7.5	2.5	4		190.5		230	224	14.2	14	4	214
1400/205	205	199	+0.00	5.15		9	3	5		193		235	228	14.2	14	4	278
1400/210	210	204	-0.72	5.15		9	3	5		198	+0.72	240	233	14.2	14	4	285
1400/220	220	214		5.15		9	3	5		208	-1.70	250	243	14.2	14	4	298.5
1400/230	230	224		5.15		9	3	5		218		260	253	14.2	14	4	312
1400/240	240	234		5.15		9	3	5	+0.00	228	-0.12	270	263	14.2	14	4	326
1400/250	250	244		5.15		9	3	5		238		280	272	14.2	14	4	340
1400/260	260	252		5.15		12	4	5		245		294	285	16.2	16	5	414
1400/270	270	262		5.15		12	4	5		255		304	295	16.2	16	5	430.5
1400/280	280	272		5.15		12	4	5		265	+0.81	314	305	16.2	16	5	446.5
1400/290	290	282	+0.00	5.15		12	4	5		275	-2.00	324	315	16.2	16	5	463
1400/300	300	292	-0.81	5.15		12	4	5		285		334	325	16.2	16	5	479
1400/310	310	300		6.2		15	5	6		293		352.2	341	20.2	20	6	710.5
1400/320	320	310		6.2		15	5	6		303		362.2	351	20.2	20	6	734
1400/330	330	320		6.2		15	5	6		313		372.2	361	20.2	20	6	757
1400/340	340	330		6.2		15	5	6		323		382.2	371	20.2	20	6	780
1400/350	350	340		6.2	+0.22	15	5	6	+0.00	333	+1.00	392.2	381	20.2	20	6	805
1400/360	360	350	+0.00	6.2	-0.00	15	5	6	-0.18	343	-2.50	402.2	391	20.2	20	6	827
1400/370	370	360	-0.89	6.2		15	5	6		353		412.2	401	20.2	20	6	850
1400/380	380	370		6.2		15	5	6		363		422.2	411	20.2	20	6	873
1400/390	390	380		6.2		15	5	6		373		432.2	421	20.2	20	6	896
1400/400	400	390		6.2		15	5	6		383		442.2	431	20.2	20	6	919

For more sizes please contact our sales team.
 All dimensions in mm unless stated otherwise.
 If a dimension is critical to your application please contact our sales department for confirmation.
 Please note : errors and omissions excepted.