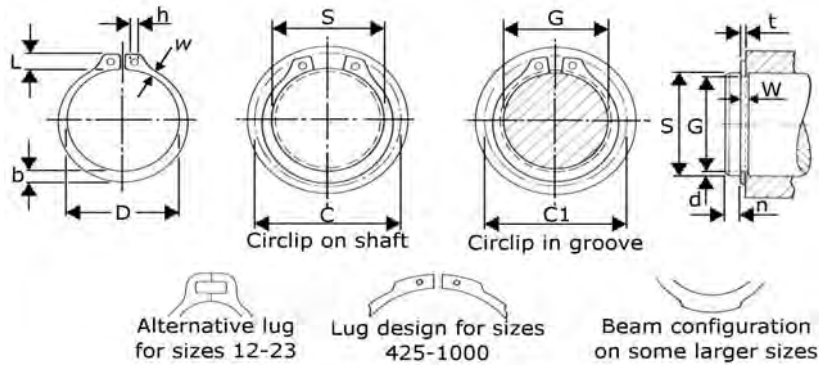




N1400 Standard External Circlips (Imperial) American Specifications



CODE	Bore		Groove (G)				Circlip (F)												Wt. lb/k
	B		G	Tol.	W	Tol.	n	d	t	Tol.	D	Tol.	C	C1	L	b	w	h	
	frac	dec																	
N1400/0012	1/8	0.125	0.117		.012		.014	.004	.01	±.001	0.112		0.22	0.214	.048	.018	.011	.024	0.02
N1400/0015	5/32	0.156	0.146		.012		.017	.005	.01		0.142		0.27	0.26	.056	.026	.016	.024	0.04
N1400/0018	3/16	0.188	0.175		.018	+.002	.022	.007	.015		0.168	+.002	0.3	0.286	.052	.025	.016	.023	0.06
N1400/0019	-	0.197	0.185	±.001	.018	-.000	.02	.006	.015		0.179	-.004	0.32	0.307	.058	.026	.016	.024	0.06
N1400/0021	7/32	0.219	0.205		.018		.023	.007	.015		0.196		0.34	0.324	.058	.028	.017	.024	0.07
N1400/0023	15/64	0.236	0.222		.018		.023	.007	.015		0.215		0.36	0.341	.058	.03	.019	.024	0.09
N1400/0025	1/4	0.25	0.23		.029		.032	.01	.025		0.225		0.45	0.43	.083	.035	.025	.039	0.21
N1400/0027	-	0.276	0.255		.029		.035	.01	.025		0.25		0.48	0.46	.084	.035	.024	.039	0.25
N1400/0028	9/32	0.281	0.261		.029		.033	.01	.025		0.256		0.49	0.47	.083	.038	.025	.039	0.24
N1400/0031	5/16	0.312	0.29		.029		.036	.011	.025		0.281		0.54	0.52	.09	.04	.026	.039	0.27
N1400/0034	11/32	0.344	0.321		.029		.038	.012	.025		0.309		0.57	0.55	.09	.042	.026	.039	0.31
N1400/0035	-	0.354	0.33		.029		.038	.012	.025		0.32	+.002	0.59	0.57	.09	.046	.029	.039	0.35
N1400/0037	3/8	0.375	0.352		.029		.038	.012	.025		0.338	-.005	0.61	0.59	.091	.05	.03	.039	0.39
N1400/0039	-	0.394	0.369	±.002	.029		.041	.013	.025		0.354		0.62	0.6	.09	.052	.031	.039	0.42
N1400/0040	13/32	0.406	0.382		.029		.039	.012	.025		0.366		0.63	0.61	.09	.054	.033	.039	0.43
N1400/0043	7/16	0.438	0.412		.029		.042	.013	.025		0.395		0.66	0.64	.091	.055	.033	.039	0.5
N1400/0046	15/32	0.469	0.443		.029		.042	.013	.025		0.428		0.68	0.66	.091	.06	.035	.039	0.54
N1400/0050	1/2	0.5	0.468		.039		.051	.016	.035		0.461		0.77	0.74	.111	.065	.04	.045	0.91
N1400/0055	-	0.551	0.519		.039	+.003	.051	.016	.035		0.509		0.81	0.78	.111	.053	.036	.045	0.9
N1400/0056	9/16	0.562	0.53		.039	-.000	.051	.016	.035	±.002	0.521		0.82	0.79	.111	.072	.041	.045	1.1
N1400/0059	19/32	0.594	0.559		.039		.057	.017	.035		0.55		0.86	0.83	.112	.076	.043	.045	1.2
N1400/0062	5/8	0.625	0.588		.039		.06	.018	.035		0.579		0.9	0.87	.113	.08	.045	.045	1.3
N1400/0066	43/64	0.672	0.631		.039		.066	.02	.035		0.621		0.93	0.89	.113	.082	.043	.045	1.4
N1400/0068	11/16	0.688	0.646		.046		.068	.021	.042		0.635		1.01	0.97	.14	.084	.048	.05	1.8
N1400/0075	3/4	0.75	0.704		.046		.074	.023	.042		0.693	+.005	1.09	1.05	.14	.092	.05	.05	2.1
N1400/0078	25/32	0.781	0.733		.046		.076	.024	.042		0.722	-.01	1.12	1.08	.14	.094	.052	.05	2.2
N1400/0081	13/16	0.812	0.762	±.003	.046		.08	.025	.042		0.751		1.15	1.1	.14	.096	.054	.05	2.5
N1400/0098	7/8	0.875	0.821		.046		.085	.027	.042		0.81		1.21	1.16	.141	.104	.057	.05	2.8
N1400/0093	15/16	0.938	0.882		.046		.088	.028	.042		0.867		1.34	1.29	.17	.11	.063	.076	3.1
N1400/0098	63/64	0.984	0.926		.046		.091	.029	.042		0.91		1.39	1.34	.171	.114	.065	.076	3.5
N1400/0100	1	1	0.94		.046		.094	.03	.042		0.925		1.41	1.35	.171	.116	.065	.076	3.6
N1400/0102	-	1.023	0.961		.046		.097	.031	.042		0.946		1.43	1.37	.172	.118	.066	.076	3.9
N1400/0106	1 1/16	1.062	0.998		.056		.102	.032	.05		0.982		1.5	1.44	.185	.122	.069	.076	4.8
N1400/0112	1 1/8	1.125	1.059		.056		.105	.033	.05		1.041	+.010	1.55	1.49	.186	.128	.071	.076	5.1
N1400/0118	1 3/16	1.188	1.118	±.004	.056	+.004	.111	.035	.05		1.098	-.015	1.61	1.54	.186	.132	.072	.076	5.6
N1400/0125	1 1/4	1.25	1.176		.056	-.000	.117	.037	.05		1.156		1.69	1.62	.187	.14	.076	.076	5.9
N1400/0131	1 5/16	1.312	1.232		.056		.126	.04	.05		1.214		1.75	1.67	.187	.146	.077	.076	6.8

For more sizes please contact our sales team.

All dimensions in inches unless stated otherwise.

If a dimension is critical to your application please contact our sales department for confirmation.

Please note : errors and omissions excepted.

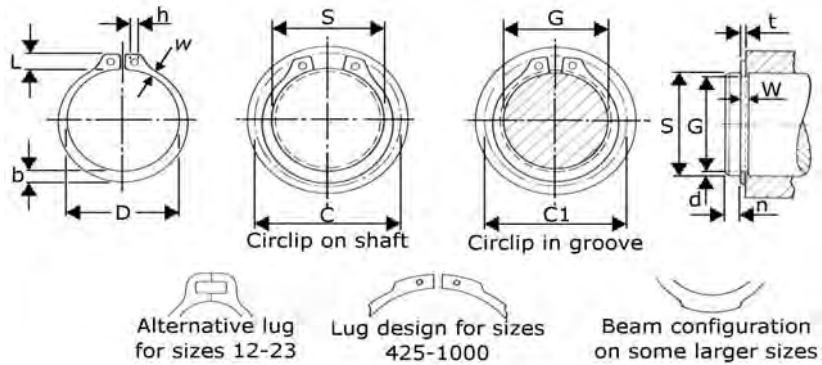


N1400

Standard External Circlips

(Imperial)

American Specifications



CODE	Bore		Groove (G)				Circlip (F)												Wt. lb/k
	B		G	Tol.	W	Tol.	n	d	t	Tol.	D	Tol.	C	C1	L	b	w	h	
	frac	dec																	
N1400/0137	1 3/8	1.375	1.291		.056		.132	.042	.05		1.272	+.010	1.8	1.72	.188	.152	.082	.076	7.2
N1400/0143	1 7/16	1.438	1.35	±.004	.056		.138	.044	.05	±.002	1.333	-.015	1.87	1.79	.188	.16	.086	.076	8.1
N1400/0150	1 1/2	1.5	1.406		.056		.147	.047	.05		1.387		1.99	1.9	.218	.168	.091	.118	9
N1400/0156	1 9/16	1.562	1.468		.068		.148	.047	.062		1.446		1.95	1.85	.189	.18	.098	.1	11.7
N1400/0162	1 5/8	1.625	1.529		.068		.151	.048	.062		1.503		2.17	2.08	.189	.18	.097	.1	12.8
N1400/0168	1 11/16	1.688	1.589		.068	+.004	.156	.049	.062		1.56		2.04	1.95	.205	.197	.099	.1	13.2
N1400/0175	1 3/4	1.75	1.65		.068	-.000	.157	.05	.062		1.618		2.11	2.01	.205	.197	.101	.1	13.8
N1400/0177	-	1.772	1.669	±.005	.068		.162	.051	.062		1.618	+.013	2.19	2.09	.205	.197	.102	.1	14.1
N1400/0181	1 13/16	1.812	1.708		.068		.163	.052	.062		1.675	-.020	2.23	2.13	.205	.197	.095	.1	14.7
N1400/0187	1 7/8	1.875	1.769		.068		.166	.053	.062		1.735		2.29	2.19	.205	.197	.104	.1	15.5
N1400/0196	-	1.968	1.857		.068		.174	.055	.062		1.819		2.39	2.27	.205	.197	.106	.123	18.2
N1400/0200	2	2	1.886		.068		.178	.057	.062		1.85		2.48	2.36	.232	.224	.108	.123	19.2
N1400/0206	2 1/16	2.062	1.946		.086		.183	.058	.078		1.906		2.52	2.4	.225	.217	.111	.123	22.6
N1400/0212	2 1/8	2.125	2.003		.086		.192	.061	.078		1.964		2.61	2.48	.236	.228	.12	.123	24.4
N1400/0215	2 5/32	2.156	2.032		.086		.195	.062	.078		1.993		2.62	2.49	.225	.217	.113	.123	26.6
N1400/0225	2 1/4	2.25	2.12		.086		.204	.065	.078		2.081	+.015	2.87	2.74	.225	.217	.116	.123	26
N1400/0231	2 5/16	2.312	2.178		.086		.21	.067	.078		2.139	-.025	2.94	2.81	.225	.217	.118	.123	28.4
N1400/0237	2 3/8	2.375	2.239		.086		.213	.068	.078		2.197		2.86	2.72	.236	.228	.119	.123	27.9
N1400/0243	2 7/16	2.438	2.299		.086		.217	.069	.078		2.255		2.92	2.78	.236	.228	.12	.123	29.4
N1400/0250	2 1/2	2.5	2.36		.086		.219	.07	.078	±.003	2.313		2.98	2.84	.236	.228	.122	.123	29.7
N1400/0255	-	2.559	2.419		.086		.219	.07	.078		2.377		3.09	2.94	.258	.25	.13	.123	31.7
N1400/0262	2 5/8	2.625	2.481		.086		.225	.072	.078		2.428		3.11	2.96	.236	.228	.12	.123	35
N1400/0268	2 11/16	2.688	2.541		.086		.23	.073	.078		2.485		3.32	3.18	.273	.246	.129	.123	36
N1400/0275	2 3/4	2.75	2.602		.103		.231	.074	.093		2.543		3.33	3.18	.284	.276	.145	.123	47
N1400/0287	2 7/8	2.875	2.721	±.006	.103	+.005	.24	.077	.093		2.659		3.42	3.26	.268	.26	.133	.123	48.4
N1400/0293	2 15/16	2.938	2.779		.103	-.000	.247	.079	.093		2.717		3.49	3.32	.268	.26	.125	.123	50
N1400/0300	3	3	2.838		.103		.252	.081	.093		2.775		3.55	3.38	.268	.26	.138	.123	51.5
N1400/0306	3 1/16	3.062	2.898		.103		.255	.082	.093		2.832		3.61	3.44	.268	.26	.131	.123	56.8
N1400/0312	3 1/8	3.125	2.957		.103		.261	.084	.093		2.892	+.020	3.75	3.57	.305	.272	.141	.123	57.9
N1400/0315	3 5/32	3.156	2.986		.103		.264	.085	.093		2.92	-.030	3.74	3.56	.284	.276	.143	.123	59
N1400/0325	3 1/4	3.25	3.076		.103		.27	.087	.093		3.006		3.83	3.65	.284	.276	.145	.123	61.9
N1400/0334	3 11/32	3.346	3.166		.103		.279	.09	.093		3.092		3.93	3.74	.284	.276	.147	.123	63.9
N1400/0343	3 7/16	3.438	3.257		.103		.28	.09	.093		3.179		4.02	3.83	.284	.276	.13	.123	65.9
N1400/0350	3 1/2	3.5	3.316		.12		.285	.092	.093		3.237		4.15	3.96	.32	.285	.148	.123	71.9
N1400/0354	-	3.543	3.357		.12		.288	.093	.109		3.277		4.2	4	.32	.288	.149	.123	72.9
N1400/0362	3 5/8	3.625	3.435		.12		.294	.095	.109		3.352		4.28	4.09	.323	.315	.153	.123	76
N1400/0368	3 11/16	3.688	3.493		.12		.301	.097	.109		3.41		4.31	4.11	.335	.302	.156	.123	80

For more sizes please contact our sales team.

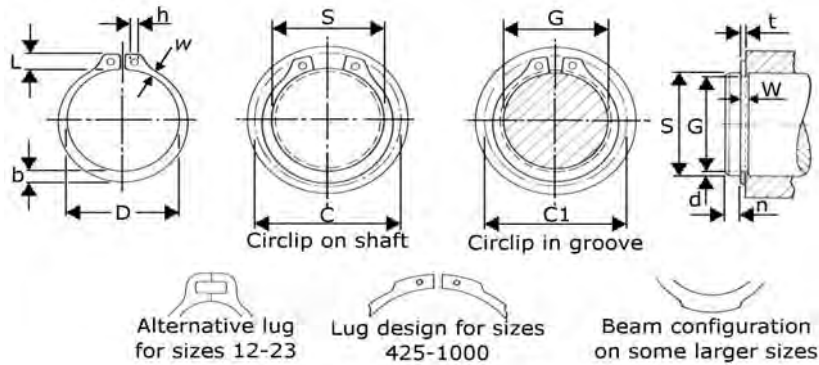
All dimensions in inches unless stated otherwise.

If a dimension is critical to your application please contact our sales department for confirmation.

Please note : errors and omissions excepted.



N1400 Standard External Circlips (Imperial) American Specifications



CODE	Bore		Groove (G)				Circlip (F)												Wt. lb/k
	B		G	Tol.	W	Tol.	n d min	~	t	Tol.	D	Tol.	C	C1	L max	b ~	w ~	h min	
	frac	dec																	
N1400/0375	3 3/4	3.75	3.552		.12		.306	.099	.109		3.468		4.44	4.23	.337	.31	.16	.123	82.9
N1400/0387	3 7/8	3.875	3.673		.12		.312	.101	.109		3.584		4.56	4.35	.335	.318	.163	.123	87.9
N1400/0393	3 15/16	3.938	3.734		.12		.315	.102	.109		3.642		4.6	4.39	.323	.318	.163	.123	95
N1400/0400	4	4	3.792		.12		.321	.104	.109		3.7		4.72	4.5	.352	.344	.176	.123	100
N1400/0425	4 1/4	4.25	4.065	±.006	.12	+0.005 -.000	.287	.092	.109	±.003	3.989	+0.020 -.030	4.91	4.72	.323	.318	.176	.123	112
N1400/0437	4 3/8	4.375	4.19		.12		.287	.092	.109		4.106		5.04	4.84	.323	.318	.181	.123	115
N1400/0450	4 1/2	4.5	4.31		.12		.294	.95	.109		4.223		5.16	4.96	.323	.285	.128	.123	100
N1400/0475	4 3/4	4.75	4.55		.12		.309	.1	.109		4.458		5.47	5.26	.437	.303	.152	.123	113
N1400/0550	5	5	4.79		.12		.324	.105	.109		4.692		5.72	5.5	.445	.36	.186	.151	149
N1400/0525	5 1/4	5.25	5.03		.139		.339	.11	.125		4.927		6.18	5.95	.457	.372	.211	.151	188
N1400/0550	5 1/2	5.5	5.265	±.007	.139	+0.006 -.000	.363	.117	.125	±.004	5.162	+0.020 -.040	6.43	6.19	.457	.39	.209	.151	196
N1400/0575	5 3/4	5.75	5.505		.139		.378	.122	.125		5.396		6.68	6.43	.457	.408	.22	.151	199
N1400/0600	6	6	5.745		.139		.393	.127	.125		5.631		6.93	6.67	.457	.381	.171	.151	212
N1400/0625	6 1/4	6.25	5.985		.174		.409	.132	.156		5.866		7.28	7.01	.508	.396	.176	.151	281
N1400/0650	6 1/2	6.5	6.225		.174		.425	.137	.156		6.1	+0.020 -.050	7.53	7.25	.508	.438	.236	.151	322
N1400/0675	6 3/4	6.75	6.465		.174		.44	.142	.156		6.335		7.78	7.49	.508	.456	.246	.182	356
N1400/0700	7	7	6.705		.174		.455	.147	.156		6.57		8.03	7.73	.508	.46	.256	.182	388
N1400/0750	7 1/2	7.5	7.18	±.008	.209	+0.008 -.000	.492	.16	.187	±.005	7.039		8.78	8.45	.632	.507	.269	.182	534
N1400/0800	8	8	7.66		.209		.522	.17	.187		7.508		9.27	8.93	.632	.54	.275	.182	628
N1400/0850	8 1/2	8.5	8.14		.209		.552	.18	.187		7.977	+0.020 -.160	9.78	9.41	.632	.573	.3	.182	700
N1400/0900	9	9	8.62		.209		.582	.19	.187		8.455		10.25	9.87	No Lugs	.609	.41	.182	756
N1400/0950	9 1/2	9.5	9.1		.209		.612	.2	.187		8.915		10.78	10.38	.632	.625	.42	.182	820
N1400/1000	10	10	9.575		.209		.65	.212	.187		9.385		11.27	10.85	.632	.625	.37	.182	964

For more sizes please contact our sales team.
 All dimensions in inches unless stated otherwise.
 If a dimension is critical to your application please contact our sales department for confirmation.
 Please note : errors and omissions excepted.