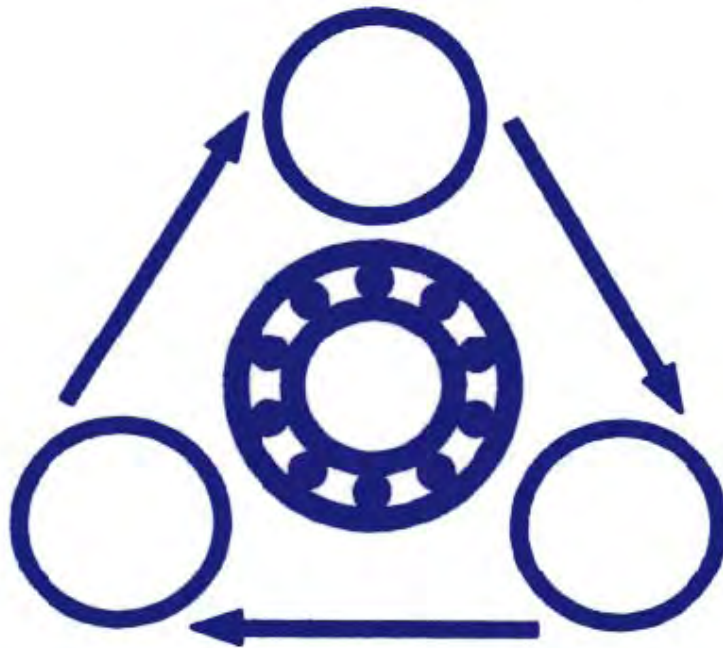


ASHLEY POWER LTD.
580-586 ASHLEY
ROAD
PARKSTONE
POOLE
DORSET, BH14 0AQ

ASHLEY POWER



CIRCLIP CATALOGUE



ASHLEY POWER



INTERNAL CIRCLIPS

EXTERNAL CIRCLIPS



E-CLIPS



Circlips Contents

Metric

D1300 (Internal).....	M4
D1400 (External).....	M7
D1500 (E-Clip).....	M10

Imperial

N1300 (Internal).....	M11
N1400 (External).....	M14
N1500 (E-Clip).....	M17

INTERNAL



EXTERNAL



E-CLIP



Please note: At Ashley Power we take care to ensure that all information is correct at time of printing however some errors and omissions excepted.

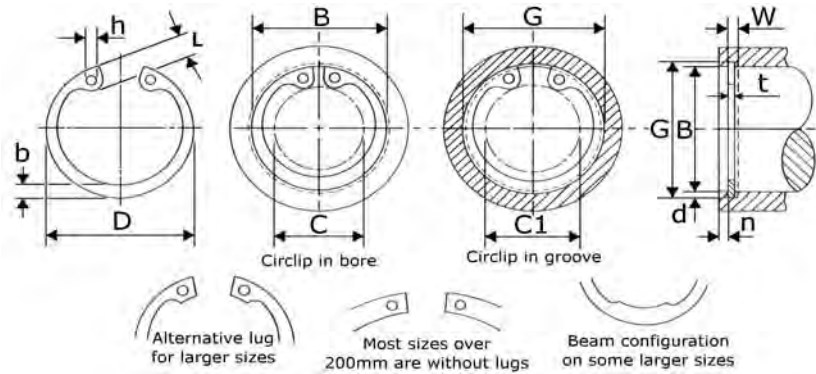


D1300

Standard Internal Circlips

(Metric)

European Specifications



Denotes Preferred Sizes

CODE	Bore B	Groove (G)						Circlip (F)									Wt. (kg/k)
		G	Tol.	W	Tol.	n d (min)	~	t	Tol.	D	Tol.	C	C1	L (max)	b ~	h (min)	
1300/8	8	8.4	+0.09	0.9		0.6	0.2	0.8	+0.00	8.7		3	3.6	2.4	1.1	1	0.11
1300/9	9	9.4	-0.00	0.9		0.6	0.2	0.8	-0.05	9.8		3.7	4.4	2.5	1.3	1	0.17
1300/9.5	9.5	9.9		1.1		0.6	0.2	1		10.3		3.2	3.9	3	1.3	1.2	0.22
1300/10	10	10.4		1.1		0.6	0.2	1		10.8		3.3	4	3.2	1.4	1.2	0.24
1300/11	11	11.4		1.1		0.6	0.2	1		11.8	+0.36	4.1	4.8	3.3	1.5	1.2	0.3
1300/12	12	12.5		1.1		0.8	0.3	1		13	0.10	4.9	5.7	3.4	1.7	1.5	0.34
1300/13	13	13.6	+0.11	1.1		0.9	0.3	1		14.1		5.4	6.4	3.6	1.8	1.5	0.39
1300/14	14	14.6	-0.00	1.1		0.9	0.3	1		15.1		6.2	7.2	3.7	1.9	1.7	0.45
1300/15	15	15.7		1.1		1.1	0.4	1		16.2		7.2	8.3	3.7	2	1.7	0.48
1300/16	16	16.8		1.1		1.2	0.4	1		17.3		8	9.2	3.8	2	1.7	0.54
1300/17	17	17.8		1.1		1.2	0.4	1		18.3		8.8	10	3.9	2.1	1.7	0.59
1300/18	18	19		1.1		1.5	0.5	1		19.5		9.4	10.8	4.1	2.2	2	0.61
1300/19	19	20	+0.13	1.1		1.5	0.5	1		20.5	+0.42	10.4	11.8	4.1	2.2	2	0.72
1300/20	20	21	-0.00	1.1		1.5	0.5	1		21.5	0.13	11.2	12.6	4.2	2.3	2	0.75
1300/21	21	22		1.1		1.5	0.5	1		22.5		12.2	13.6	4.2	2.4	2	0.84
1300/22	22	23		1.1		1.5	0.5	1		23.5		13.2	14.6	4.2	2.5	2	0.86
1300/23	23	24.1		1.3		1.7	0.6	1.2		24.6		14.2	15.7	4.2	2.5	2	1.2
1300/24	24	25.2		1.3		1.8	0.6	1.2		25.9	+0.42	14.8	16.4	4.4	2.6	2	1.21
1300/25	25	26.2	+0.21	1.3	+0.14	1.8	0.6	1.2	+0.00	26.9	0.21	15.5	17.2	4.5	2.7	2	1.33
1300/26	26	27.2	-0.00	1.3	0.00	1.8	0.6	1.2	-0.06	27.9		16.1	17.8	4.7	2.8	2	1.35
1300/27	27	28.4		1.3		2.1	0.7	1.2		29.1		17.1	19	4.7	2.9	2	1.55
1300/28	28	29.4		1.3		2.1	0.7	1.2		30.1		17.9	19.8	4.8	2.9	2	1.64
1300/29	29	30.4		1.3		2.1	0.7	1.2		31.1		18.9	20.8	4.8	3	2	1.74
1300/30	30	31.4		1.3		2.1	0.7	1.2		32.1		19.9	21.8	4.8	3	2	1.87
1300/31	31	32.7		1.3		2.6	0.9	1.2		33.4		20	22.3	5.2	3.2	2.5	2.2
1300/32	32	33.7		1.3		2.6	0.9	1.2		34.4	+0.50	20.6	22.9	5.4	3.2	2.5	1.98
1300/33	33	34.7		1.3		2.6	0.9	1.2		35.5	0.25	21.6	23.9	5.4	3.3	2.5	2.13
1300/34	34	35.7		1.6		2.6	0.9	1.5		36.5		22.6	24.9	5.4	3.3	2.5	2.88
1300/35	35	37		1.6		3	1	1.5		37.8		23.6	26.2	5.4	3.4	2.5	2.93
1300/36	36	38	+0.25	1.6		3	1	1.5		38.8		24.6	27.2	5.4	4	2.5	3.23
1300/37	37	39	-0.00	1.6		3	1	1.5		39.8		25.4	28	5.5	3.2	2.5	2.98
1300/38	38	40		1.6		3	1	1.5		40.8		26.4	29	5.5	3.7	2.5	3.54
1300/40	40	42.5		1.85		3.8	1.3	1.75		43.5		27.8	30.9	5.8	3.9	2.5	4.63
1300/41	41	43.5		1.85		3.8	1.3	1.75		44.5	+0.90	28.6	31.7	5.9	4	2.5	5.37
1300/42	42	44.5		1.85		3.8	1.3	1.75		45.5	0.39	29.6	32.7	5.9	4.1	2.5	5.21
1300/45	45	47.5		1.85		3.8	1.3	1.75		48.5		32	35.1	6.2	4.3	2.5	5.88
1300/47	47	49.5		1.85		3.8	1.3	1.75		50.5	+1.10 -0.46	33.5	36.7	6.4	4.4	2.5	6.13

For more sizes please contact our sales team.

All dimensions in mm unless stated otherwise.

If a dimension is critical to your application please contact our sales department for confirmation.

Please note : errors and omissions excepted.

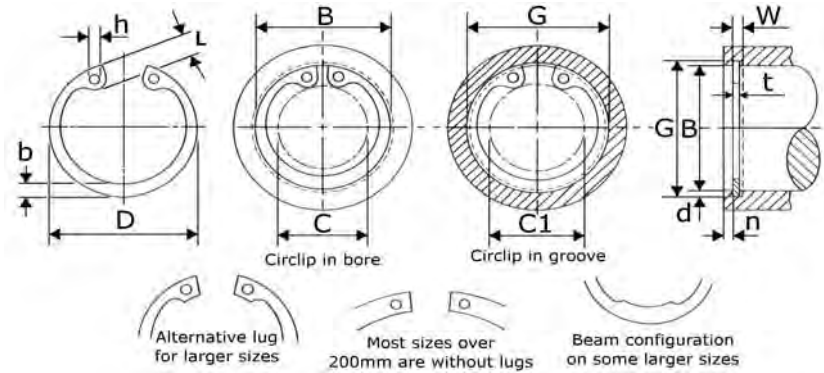


D1300

Standard Internal Circlips

(Metric)

European Specifications



Denotes Preferred Sizes

CODE	Bore B	Groove (G)						Circlip (F)									Wt. (kg/k)
		G	Tol.	W	Tol.	n d (min)	~	t	Tol.	D	Tol.	C	C1	L (max)	b ~	h (min)	
1300/48	48	50.5	+0.30	1.85		3.8	1.3	1.75	+0.00 -0.06	51.5		34.5	37.7	6.4	4.5	2.5	6.31
1300/50	50	53	-0.00	2.15		4.5	1.5	2	+0.00	54.2		36.3	40	6.5	4.6	2.5	8.01
1300/51	51	54		2.15		4.5	1.5	2	-0.07	55.2		37.3	41	6.5	4.7	2.5	8.72
1300/52	52	55		2.15		4.5	1.5	2		56.2		37.9	41.6	6.7	4.7	2.5	8.91
1300/55	55	58		2.15		4.5	1.5	2		59.2		40.7	44.4	6.8	5	2.5	9.44
1300/56	56	59		2.15		4.5	1.5	2		60.2		41.7	45.4	6.8	5.1	2.5	9.75
1300/57	57	60		2.15		4.5	1.5	2		62.2		42.7	46.4	6.8	5.1	2.5	9.56
1300/58	58	61		2.15		4.5	1.5	2		62.2		43.5	47.2	6.9	5.2	2.5	10.36
1300/60	60	63		2.15		4.5	1.5	2		64.2	+1.10	44.7	48.4	7.3	5.4	2.5	11.15
1300/62	62	65		2.15		4.5	1.5	2		66.2	0.46	46.7	50.4	7.3	5.5	2.5	11.59
1300/63	63	66	+0.30	2.15	+0.14	4.5	1.5	2		67.2		47.7	51.4	7.3	5.6	2.5	11.78
1300/64	64	67	-0.00	2.15	0.00	4.5	1.5	2	+0.00	68.2		48.7	52.4	7.3	5.2	2.5	16.8
1300/65	65	68		2.65		4.5	1.5	2	-0.07	69.2		49	52.8	7.6	5.8	3	17.71
1300/67	67	70		2.65		4.5	1.5	2.5		72.5		50.8	54.6	7.7	6	3	17.71
1300/68	68	71		2.65		4.5	1.5	2.5		72.5		51.6	55.4	7.8	6.1	3	17.72
1300/70	70	73		2.65		4.5	1.5	2.5		74.5		53.6	57.4	7.8	6.2	3	17.65
1300/72	72	75		2.65		4.5	1.5	2.5		76.5		55.6	59.4	7.8	6.4	3	19.7
1300/75	75	78		2.65		4.5	1.5	2.5		79.5		58.6	62.4	7.8	6.6	3	20.62
1300/76	76	79		2.65		4.5	1.5	2.5		80.7		59.6	63.4	7.8	6.1	3	22.68
1300/78	78	81		2.65		4.5	1.5	2.5		82.5		60.1	64	8.5	6.8	3	22.46
1300/80	80	83.5		2.65		5.3	1.8	2.5		85.5		62.1	66.5	8.5	7	3	21.38
1300/82	82	85.5		2.65		5.3	1.8	2.5		87.5		64.1	68.5	8.5	6.2	3	22.27
1300/85	85	88.5		3.15		5.3	1.8	3		90.5		66.9	71.3	8.6	7.2	3.5	31.78
1300/88	88	91.5	+0.35	3.15		5.3	1.8	3		93.5		69.9	74.3	8.6	7.4	3.5	32.94
1300/90	90	93.5	-0.00	3.15		5.3	1.8	3		95.5		71.9	76.3	8.6	7.6	3.5	33.35
1300/92	92	95.5		3.15		5.3	1.8	3	+0.00	97.5	+1.30	79.9	78.1	8.7	7.8	3.5	35.72
1300/95	95	98.5		3.15		5.3	1.8	3	-0.08	100.5	0.54	76.5	80.9	8.8	8.1	3.5	38.88
1300/98	98	101.5		3.15		5.3	1.8	3		103.5		79	83.5	9	8.3	3.5	42.16
1300/100	100	103.5		3.15		5.3	1.8	3		105.5		80.6	85.1	9.2	8.4	3.5	43.41
1300/102	102	106		4.15	+0.18	6	2	4		108		82	87	9.5	8.5	3.5	55.2
1300/105	105	109		4.15	0.00	6	2	4		112		85	90	9.5	8.7	3.5	59.2
1300/108	108	112	+0.54	4.15		6	2	4		115		88	93	9.5	8.9	3.5	62.6
1300/110	110	114	-0.00	4.15		6	2	4	+0.00	117		88.2	93.2	10.4	9	3.5	71.75
1300/112	112	116		4.15		6	2	4	-0.10	119		90	95	10.5	9.1	3.5	70.68
1300/115	115	119		4.15		6	2	4		122	+1.50	93	98	10.5	9.3	3.5	73.16
1300/120	120	124	+0.63	4.15		6	2	4		127	0.63	96.9	102	11	9.7	3.5	80.4
1300/125	125	129	-0.00	4.15		6	2	4		132		101.9	107	11	10	4	81.2

For more sizes please contact our sales team.

All dimensions in mm unless stated otherwise.

If a dimension is critical to your application please contact our sales department for confirmation.

Please note : errors and omissions excepted.

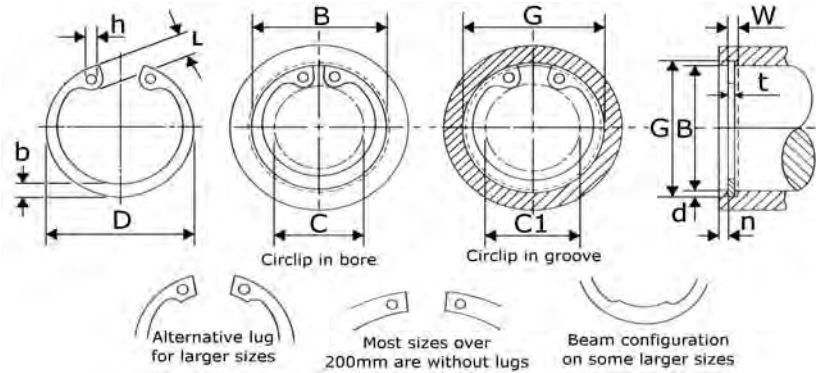


D1300

Standard Internal Circlips

(Metric)

European Specifications



Denotes Preferred Sizes

CODE	Bore B	Groove (G)						Circlip (F)									Wt. (kg/k)
		G	Tol.	W	Tol.	n d (min)	~	t	Tol.	D	Tol.	C	C1	L (max)	b ~	h (min)	
1300/127	127	131		4.15		6	2	4		135		103.9	109	11	10	4	80.8
1300/130	130	134		4.15		6	2	4		137		106.9	112	11	10.2	4	85.13
1300/135	135	139		4.15		6	2	4		142		111.5	116	11.2	10.5	4	94.79
1300/140	140	144		4.15		6	2	4		147		116.5	121	11.2	10.7	4	98.61
1300/145	145	149		4.15		6	2	4		152	+1.50	121	126	11.4	10.9	4	106.5
1300/150	150	155	+0.63 -0.00	4.15		7.5	2.5	4		158	0.63	124.8	131	12	11.2	4	106.8
1300/155	155	160		4.15		7.5	2.5	4		164		129.8	136	12	11.4	4	128
1300/160	160	165		4.15		7.5	2.5	4	+0.00	169		132.7	139	13	11.6	4	130.5
1300/165	165	170		4.15		7.5	2.5	4	-0.10	174.5		137.7	144	13	11.8	4	132
1300/170	170	175		4.15		7.5	2.5	4		179.5		141.6	148	13.5	12	4	149.5
1300/175	175	180		4.15		7.5	2.5	4		184.5		146.6	153	13.5	12	4	158.5
1300/180	180	185		4.15		7.5	2.5	4		189.5		150.2	156	14.2	13	4	168
1300/185	185	190		4.15	+0.18	7.5	2.5	4		194.5		155.2	161	14.2	13	4	177.5
1300/190	190	195		4.15	0.00	7.5	2.5	4		199.5		160.2	166	14.3	13	4	184
1300/195	195	200		4.15		7.5	2.5	4		204.5	+1.70	165.2	171	14.2	13	4	189.6
1300/200	200	205	+0.72 -0.00	4.15		7.5	2.5	4		209.5	0.72	170.2	176	14.3	13	4	196
1300/210	210	216		5.15		9	3	5		222		180.2	187	14.2	14	4	263
1300/220	220	226		5.15		9	3	5		232		190.2	197	14.2	14	4	276
1300/230	230	236		5.15		9	3	5		242		200.2	207	14.2	14	4	291
1300/240	240	246		5.15		9	3	5		252		210.2	217	14.2	14	4	304
1300/250	250	256		5.15		9	3	5	+0.00	262		220.2	227	14.2	14	4	318.5
1300/260	260	268		5.15		12	4	5	-0.12	275		226	235	16.2	16	5	385
1300/270	270	278		5.15		12	4	5		285	+2.00	236	245	16.2	16	5	401.5
1300/280	280	288	+0.81 -0.00	5.15		12	4	5		295	0.81	246	255	16.2	16	5	417.5
1300/290	290	298		5.15		12	4	5		305		256	265	16.2	16	5	433.4
1300/300	300	308		5.15		12	4	5		315		266	275	16.2	16	5	446
1300/310	310	320		6.2		15	5	6		327		267.8	279	20.2	20	6	658.5
1300/320	320	330		6.2		15	5	6		337		277.8	289	20.2	20	6	682
1300/330	330	340		6.2		15	5	6		347		287.8	299	20.2	20	6	705
1300/340	340	350		6.2		15	5	6		357		297.8	309	20.2	20	6	729
1300/350	350	360	+0.89 -0.00	6.2	+0.22	15	5	6	+0.00	367	+2.50	307.8	319	20.2	20	6	752.5
1300/360	360	370		6.2	0.00	15	5	6	-0.18	377	1.00	317.8	329	20.2	20	6	769
1300/370	370	380		6.2		15	5	6		387		327.8	339	20.2	20	6	793
1300/380	380	390		6.2		15	5	6		397		337.8	349	20.2	20	6	817
1300/390	390	400		6.2		15	5	6		407		347.8	359	20.2	20	6	838.5
1300/400	400	410		6.2		15	5	6		417		357.8	369	20.2	20	6	862.5

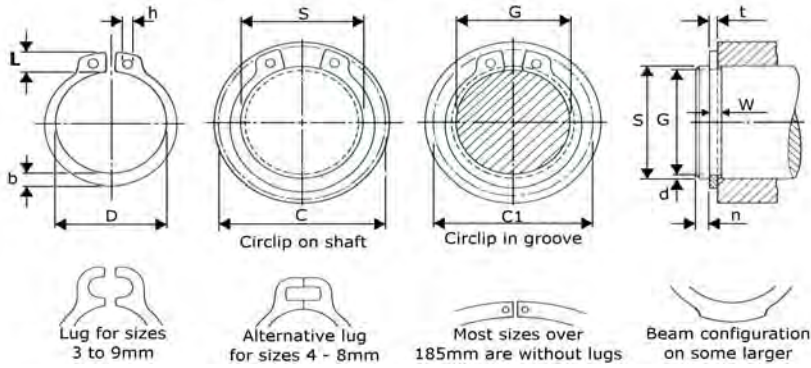
For more sizes please contact our sales team.
 All dimensions in mm unless stated otherwise.
 If a dimension is critical to your application please contact our sales department for confirmation.
 Please note : errors and omissions excepted.



D1400 Standard External Circlips (Metric)

European Specifications

Denotes Preferred Sizes



CODE	Bore B	Groove (G)						Circlip (F)									Wt. (kg/k)
		G	Tol.	W	Tol.	n d (min)	~	t	Tol.	D	Tol.	C	C1	L (max)	b ~	h (min)	
1400/3	3	2.8	-0.04	0.5		0.3	0.1	0.4		2.7		7	6.6	1.9	0.8	1	0.02
1400/4	4	3.8	+0.00	0.5		0.3	0.1	0.4		3.7	+0.04	8.6	8.2	2.2	0.9	1	0.03
1400/5	5	4.8	-0.048	0.7		0.3	0.1	0.6	+0.00	4.7	-0.15	10.3	9.8	2.5	1.1	1	0.08
1400/6	6	5.7		0.8		0.5	0.15	0.7	-0.05	5.6		11.7	11.1	2.7	1.3	1.2	0.13
1400/7	7	6.7		0.9		0.5	0.15	0.8		6.5	+0.06	13.5	12.9	3.1	1.4	1.2	0.18
1400/8	8	7.6	+0.00	0.9		0.6	0.2	0.8		7.4	-0.18	14.7	14	3.2	1.5	1.2	0.2
1400/9	9	8.6	-0.06	1.1		0.6	0.2	1		8.4		16	15.2	3.3	1.7	1.5	0.32
1400/10	10	9.6		1.1		0.6	0.2	1		9.3		17	16.2	3.3	1.8	1.5	0.4
1400/11	11	10.5		1.1		0.8	0.25	1		10.2		18	17.1	3.3	1.8	1.7	0.41
1400/12	12	11.5		1.1		0.8	0.25	1		11		19	18.1	3.3	1.8	1.7	0.45
1400/13	13	12.4		1.1		0.9	0.3	1		11.9		20.2	19.2	3.4	2	1.7	0.52
1400/14	14	13.4	+0.00	1.1		0.9	0.3	1		12.9	+0.10	21.4	20.4	3.5	2.1	1.7	0.56
1400/15	15	14.3	-0.11	1.1		1.1	0.35	1		13.8	-0.36	22.6	21.5	3.6	2.2	1.7	0.62
1400/16	16	15.2		1.1		1.2	0.4	1		14.7		23.8	22.6	3.7	2.2	1.7	0.69
1400/17	17	16.2		1.1		1.2	0.4	1		15.7		25	23.8	3.8	2.3	1.7	0.77
1400/18	18	17		1.3		1.5	0.5	1.2		16.5		26.2	24.8	3.9	2.4	2	0.99
1400/19	19	18		1.3		1.5	0.5	1.2		17.5		27.2	25.8	3.9	2.5	2	1.1
1400/20	20	19		1.3	+0.14	1.5	0.5	1.2		18.5		28.4	27	4	2.6	2	1.18
1400/21	21	20	+0.00	1.3	-0.00	1.5	0.5	1.2		19.5	+0.13	29.6	28.2	4.1	2.7	2	1.26
1400/22	22	21	-0.13	1.3		1.5	0.5	1.2		20.5	-0.42	30.8	29.4	4.2	2.8	2	1.39
1400/23	23	22		1.3		1.5	0.5	1.2	+0.00	21.5		32	30.6	4.3	2.9	2	1.54
1400/24	24	22.9		1.3		1.7	0.55	1.2	-0.06	22.2		33.2	31.7	4.4	3	2	1.52
1400/25	25	23.9		1.3		1.7	0.55	1.2		23.2		34.2	32.7	4.4	3	2	1.7
1400/26	26	24.9	+0.00	1.3		1.7	0.55	1.2		24.2		35.5	33.9	4.5	3.1	2	1.75
1400/27	27	25.6	-0.21	1.3		2.1	0.7	1.2		24.9	+0.21	36.7	34.8	4.6	3.1	2	1.89
1400/28	28	26.6		1.6		2.1	0.7	1.5		25.9	-0.42	37.9	36	4.7	3.2	2	2.47
1400/29	29	27.6		1.6		2.1	0.7	1.5		26.9		39.1	37.2	4.8	3.4	2	2.75
1400/30	30	28.6		1.6		2.1	0.7	1.5		27.9		40.5	38.6	5	3.5	2	2.93
1400/32	32	30.3		1.6		2.6	0.85	1.5		29.6		43	40.7	5.2	3.6	2.5	3.02
1400/33	33	31.3		1.6		2.6	0.85	1.5		30.5		44	41.7	5.2	3.7	2.5	3.3
1400/34	34	32.3		1.6		2.6	0.85	1.5		31.5		45.4	43.1	5.4	3.8	2.5	3.72
1400/35	35	33	+0.00	1.6		3	1	1.5		32.2	+0.25	46.8	44.2	5.6	3.9	2.5	3.78
1400/36	36	34	-0.25	1.85		3	1	1.75		33.1	-0.50	47.8	45.2	5.6	4	2.5	4.55
1400/38	38	36		1.85		3	1	1.75		35.2		50.2	47.6	5.8	4.2	2.5	5.08
1400/40	40	37.5		1.85		3.8	1.25	1.75		36.5		52.6	49.5	6	5	2.5	5.54
1400/42	42	39.5		1.85		3.8	1.25	1.75		38.5	+0.39	55.7	52.5	6.5	5	2.5	5.99
1400/45	45	42.5		1.85		3.8	1.25	1.75		41.5	-0.90	59.1	55.9	6.7	5	2.5	6.75

For more sizes please contact our sales team.

All dimensions in mm unless stated otherwise.

If a dimension is critical to your application please contact our sales department for confirmation.

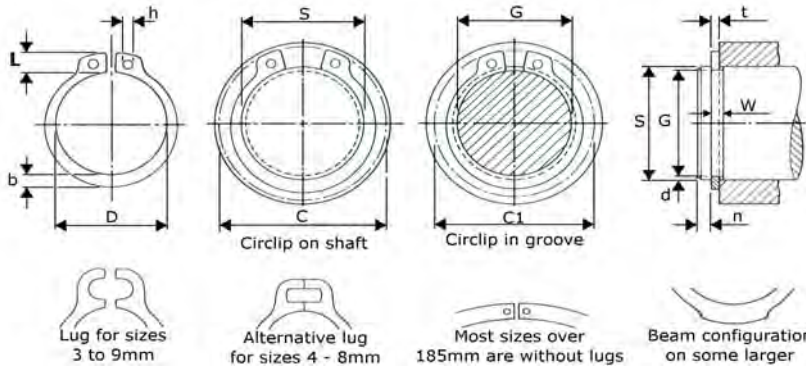
Please note : errors and omissions excepted.



D1400 Standard External Circlips (Metric)

European Specifications

Denotes Preferred Sizes



CODE	Bore B	Groove (G)						Circlip (F)									Wt. (kg/k)
		G	Tol.	W	Tol.	n	d (min)	~	t	Tol.	D	Tol.	C	C1	L (max)	b ~	
1400/46	46	43.5		1.85		3.8	1.25	1.75	+0.00	42.5		60.1	56.9	6.7	5	2.5	7.24
1400/47	47	44.5	+0.00	1.85		3.8	1.25	1.75	-0.06	43.5	+0.39	61.3	58.1	6.8	5	2.5	7.3
1400/48	48	45.5	-0.25	1.85		3.8	1.25	1.75		44.5	-0.90	62.5	59.3	6.9	5	2.5	7.51
1400/50	50	47		2.15		4.5	1.5	2		45.8		64.5	60.8	6.9	5.5	2.5	9.88
1400/52	52	49		2.15		4.5	1.5	2		47.8		66.7	63	7	5.5	2.5	9.53
1400/54	54	51		2.15		4.5	1.5	2		49.8		69	65.2	7.1	5.5	2.5	10.3
1400/55	55	52		2.15		4.5	1.5	2		50.8		70.2	66.4	7.2	5.5	2.5	10.41
1400/56	56	53		2.15		4.5	1.5	2		51.8		71.6	67.6	7.3	5.5	2.5	10.5
1400/58	58	55		2.15		4.5	1.5	2		53.8		73.6	69.6	7.3	5.6	2.5	12.47
1400/60	60	57		2.15		4.5	1.5	2		55.8		75.6	71.8	7.4	5.8	2.5	13.69
1400/62	62	59		2.15	+0.14	4.5	1.5	2		57.8		77.8	74	7.5	6	2.5	12.36
1400/63	63	60		2.15	-0.00	4.5	1.5	2		58.8		79	75.2	7.6	6.2	2.5	13.1
1400/65	65	62		2.65		4.5	1.5	2.5	+0.00	60.8		81.4	77.6	7.8	6.3	3	20.44
1400/67	67	64	+0.00	2.65		4.5	1.5	2.5	-0.07	62.5	+0.46	83.6	79.8	7.9	6.4	3	20.43
1400/68	68	65	-0.30	2.65		4.5	1.5	2.5		63.5	-1.10	84.4	81	8	6.5	3	19.55
1400/70	70	67		2.65		4.5	1.5	2.5		65.5		87	93.2	8.1	6.6	3	22.13
1400/72	72	69		2.65		4.5	1.5	2.5		67.5		89.2	85.4	8.2	6.8	3	21.6
1400/75	75	72		2.65		4.5	1.5	2.5		70.5		92.7	88.8	8.4	7	3	24.65
1400/77	77	74		2.65		4.5	1.5	2.5		72.5		94.9	91	8.5	7.2	3	24.26
1400/78	78	75		2.65		4.5	1.5	2.5		73.5		96.1	92.2	8.6	7.3	3	28.1
1400/80	80	76.5		2.65		5.3	1.75	2.5		74.5		98.1	93.7	8.6	7.4	3	26.68
1400/82	82	78.5		2.65		5.3	1.75	2.5		76.5		100.3	95.9	8.7	7.6	3	28.35
1400/85	85	81.5		3.15		5.3	1.75	3		79.5		103.3	98.9	8.7	7.8	3.5	35.4
1400/88	88	84.5		3.15		5.3	1.75	3		82.5		106.5	102	8.8	8	3.5	39.85
1400/90	90	86.5	+0.00	3.15		5.3	1.75	3	+0.00	84.5		108.5	104	8.8	8.2	3.5	38.89
1400/95	95	91.5	-0.35	3.15		5.3	1.75	3	-0.08	89.5		114.8	111	9.4	8.6	3.5	42.39
1400/98	98	94.5		3.15		5.3	1.75	3		91.5		118.6	114	9.8	9	3.5	54
1400/100	100	96.5		3.15		5.3	1.75	3		94.5		120.2	116	9.6	9	3.5	48.86
1400/102	102	98		4.15	+0.18	6	2	4		95	+0.54	122.4	118	9.7	9.2	3.5	69.73
1400/105	105	101		4.15	-0.00	6	2	4		98	-1.30	126.2	122	10.1	9.3	3.5	73.16
1400/108	108	104	+0.00	4.15		6	2	4		100		129	124	10	9.5	3.5	83.45
1400/110	110	106	-0.54	4.15		6	2	4		103		131.2	127	10.1	9.6	3.5	75.24
1400/115	115	111		4.15		6	2	4	+0.00	108		137.3	133	10.6	9.8	3.5	78.65
1400/120	120	116		4.15		6	2	4	-0.10	113		143.1	138	11	10.2	3.5	85.58
1400/125	125	121		4.15		6	2	4		118		149	144	11.4	10.4	4	99.62
1400/130	130	126	+0.00	4.15		6	2	4		123	+0.63	154.4	150	11.6	10.7	4	98.1
1400/135	135	131	-0.63	4.15		6	2	4		128	-1.50	159.8	155	11.8	11	4	113.4

For more sizes please contact our sales team.

All dimensions in mm unless stated otherwise.

If a dimension is critical to your application please contact our sales department for confirmation.

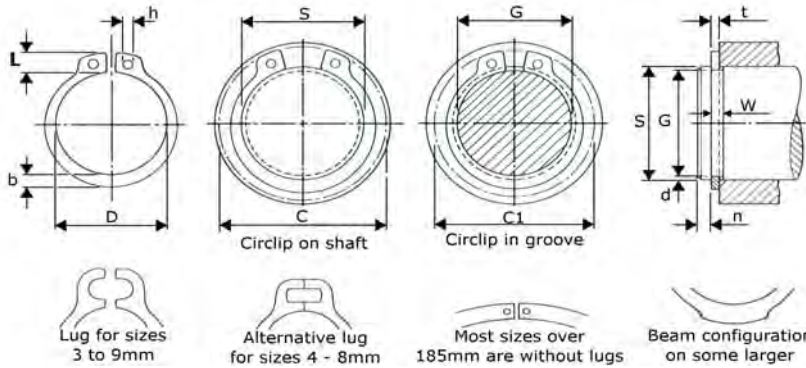
Please note : errors and omissions excepted.



D1400 Standard External Circlips (Metric)

European Specifications

Denotes Preferred Sizes



CODE	Bore B	Groove (G)						Circlip (F)								Wt. (kg/k)	
		G	Tol.	W	Tol.	n d (min)	~	t	Tol.	D	Tol.	C	C1	L (max)	b ~		h (min)
1400/140	140	136		4.15		6	2	4		133		165.2	160	12	11.2	4	119.18
1400/145	145	141		4.15		6	2	4		138		170.6	166	12.2	11.5	4	128.53
1400/150	150	145		4.15		7.5	2.5	4		142		177.3	171	13	11.8	4	132.8
1400/155	155	150		4.15		7.5	2.5	4		146		182.3	176	13	12	4	136.06
1400/160	160	155	+0.00	4.15		7.5	2.5	4		151	+0.63	188	182	13.3	12.2	4	137.5
1400/165	165	160	-0.63	4.15		7.5	2.5	4		155.5	-1.50	193.4	187	13.5	12.5	4	151.96
1400/170	170	165		4.15		7.5	2.5	4	+0.00	160.5	-0.10	198.4	192	13.5	12.9	4	169
1400/175	175	170		4.15		7.5	2.5	4		165.5		203.4	197	13.5	12.9	4	173.7
1400/180	180	175		4.15		7.5	2.5	4		170.5		210	204	14.2	13.5	4	188
1400/185	185	180		4.15		7.5	2.5	4		175.5		215.2	209	14.3	13.5	4	193
1400/190	190	185		4.15		7.5	2.5	4		180.5		220	214	14.2	14	4	203
1400/195	195	190		4.15	+0.18	7.5	2.5	4		185.5		225	219	14.2	14	4	209.5
1400/200	200	195		4.15	-0.00	7.5	2.5	4		190.5		230	224	14.2	14	4	214
1400/205	205	199	+0.00	5.15		9	3	5		193		235	228	14.2	14	4	278
1400/210	210	204	-0.72	5.15		9	3	5		198	+0.72	240	233	14.2	14	4	285
1400/220	220	214		5.15		9	3	5		208	-1.70	250	243	14.2	14	4	298.5
1400/230	230	224		5.15		9	3	5		218		260	253	14.2	14	4	312
1400/240	240	234		5.15		9	3	5	+0.00	228	-0.12	270	263	14.2	14	4	326
1400/250	250	244		5.15		9	3	5		238		280	272	14.2	14	4	340
1400/260	260	252		5.15		12	4	5		245		294	285	16.2	16	5	414
1400/270	270	262		5.15		12	4	5		255		304	295	16.2	16	5	430.5
1400/280	280	272		5.15		12	4	5		265	+0.81	314	305	16.2	16	5	446.5
1400/290	290	282	+0.00	5.15		12	4	5		275	-2.00	324	315	16.2	16	5	463
1400/300	300	292	-0.81	5.15		12	4	5		285		334	325	16.2	16	5	479
1400/310	310	300		6.2		15	5	6		293		352.2	341	20.2	20	6	710.5
1400/320	320	310		6.2		15	5	6		303		362.2	351	20.2	20	6	734
1400/330	330	320		6.2		15	5	6		313		372.2	361	20.2	20	6	757
1400/340	340	330		6.2		15	5	6		323		382.2	371	20.2	20	6	780
1400/350	350	340		6.2	+0.22	15	5	6	+0.00	333	+1.00	392.2	381	20.2	20	6	805
1400/360	360	350	+0.00	6.2	-0.00	15	5	6	-0.18	343	-2.50	402.2	391	20.2	20	6	827
1400/370	370	360	-0.89	6.2		15	5	6		353		412.2	401	20.2	20	6	850
1400/380	380	370		6.2		15	5	6		363		422.2	411	20.2	20	6	873
1400/390	390	380		6.2		15	5	6		373		432.2	421	20.2	20	6	896
1400/400	400	390		6.2		15	5	6		383		442.2	431	20.2	20	6	919

For more sizes please contact our sales team.

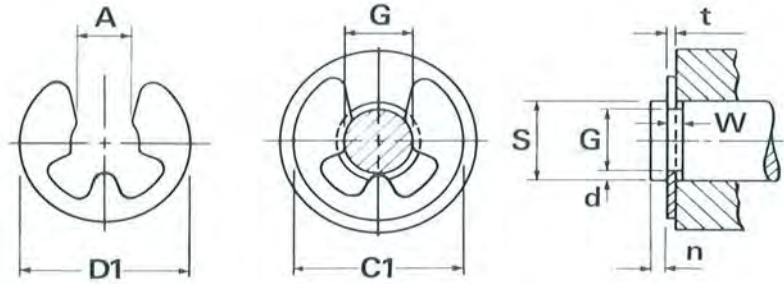
All dimensions in mm unless stated otherwise.

If a dimension is critical to your application please contact our sales department for confirmation.

Please note : errors and omissions excepted.



D1500
Standard series E Circlips
(Metric)



Denotes Preferred Sizes

CODE	Shaft (S)		Groove (G)						Circlip (F)							
	S	Tol.	G	Tol.	W	Tol.	n d (min)	Nom	t	Tol.	D1 ~	C1	A	Tol.		
*D1500/0008	1.2	± 0.2	0.8	+0.00	0.24	+0.04	0.4	0.2	0.2	± 0.02	1.95	2.25	0.58	± 0.04		
D1500/0012	1.7	± 0.3	1.2	0.04	0.34	0.00	0.6	0.25	0.3		2.9	3.25	1.01			
D1500/0015	2.25	± 0.25	1.5	+0.00	0.44	0.00	0.8	0.8	0.4		3.85	4.25	1.28			
D1500/0019	2.75	± 0.5	1.9	0.06	0.54		1	0.43	0.5		4.4	4.8	1.61			
D1500/0023	3.5		2.3	+0.05	0.64	1	0.6	0.6	5.9		6.3	1.94				
D1500/0032	4.5	3.2	0.64		1	0.65	0.6	6.8	7.3		2.7					
D1500/0040	6	± 1	4	+0.00	0.74	0.00	1.2	1	0.7		8.8	9.3	3.34		± 0.048	
D1500/0050	7		5	0.075	0.74		1.2	1	0.7		10.75	11.3	4.11			
D1500/0060	8	± 1.5	6	+0.00	0.74	0.00	1.2	1	0.7		± 0.03	11.75	12.3		5.26	± 0.058
D1500/0070	9.5		7		0.94		1.5	1.25	0.9			13.8	14.3		5.84	
D1500/0080	10.5	± 2	8	0.09	1.05	+0.08	1.8	1.25	1	0.00	15.6	16.3	6.52	± 0.07		
D1500/0090	12		9		1.15		2	1.5	1.1		18.2	18.8	7.63			
D1500/0100	13	± 2.5	10	0.11	1.25	0.00	2	1.5	1.2	± 0.03	19.65	20.4	8.32	± 0.084		
D1500/0120	15.5		12		1.35		2.5	1.75	1.3		22.65	23.4	10.45			
D1500/0150	20	± 4	15	+0.00	1.55	3	2.5	1.5	28.6	29.4	12.61	± 0.07				
D1500/0190	25.5	± 5.5	19	+0.00	1.85	3.5	3.25	1.75	36.7	37.6	15.92	± 0.084				
D1500/0240	31.5	± 6.5	24	0.13	2.05	4	3.75	2	43.65	44.6	21.88	± 0.084				

* Beryllium copper only

For more sizes please contact our sales team.

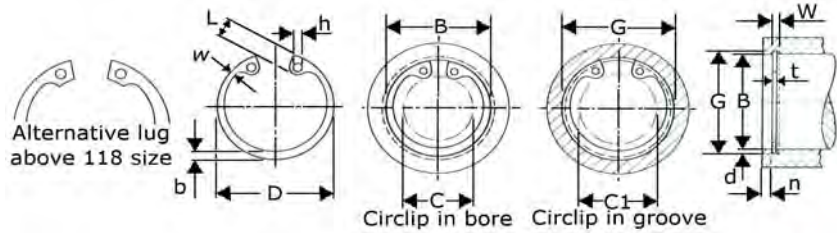
All dimensions in mm unless stated otherwise.

If a dimension is critical to your application please contact our sales department for confirmation.

Please note : errors and omissions excepted.



N1300
Standard Internal Circlips
(Imperial)
American Specifications



CODE	Bore		Groove (G)						Circlip (F)									Wt. lb/k	
	B		G	Tol.	W	Tol.	n d min ~	t	Tol.	D	Tol.	C	C1	L max	b ~	w ~	h min		
	frac	dec																	
N1300/0025	1/4	0.25	0.268	±.001	.018	+.002	.027	.009	.015		0.28		0.11	0.13	.068	.025	.015	.029	0.08
N1300/0031	5/16	0.312	0.33		.018	-.000	.027	.009	.015		0.346		0.17	0.19	.069	.033	.018	.029	0.11
N1300/0037	3/8	0.375	0.397		.029		.033	.011	.025		0.415		0.2	0.22	.085	.4	.028	.039	0.25
N1300/0043	7/16	0.438	0.461		.029		.036	.012	.025		0.482		0.23	0.25	.101	.049	.029	.039	0.37
N1300/0045	29/64	0.453	0.477		.029		.036	.012	.025		0.498		0.25	0.27	.101	.05	.03	.045	0.43
N1300/0050	1/2	0.5	0.53		.039		.045	.015	.035		0.548	+.01	0.26	0.29	.117	.053	.035	.045	0.7
N1300/0051	-	0.512	0.542	±.002	.039		.045	.015	.035		0.56	-.01	0.27	0.3	.119	.053	.035	.045	0.77
N1300/0056	9/16	0.562	0.596		.039		.051	.017	.035		0.62		0.28	0.32	.137	.053	.035	.045	0.86
N1300/0062	5/8	0.625	0.665		.039		.06	.02	.035		0.694		0.35	0.39	.137	.06	.035	.06	1
N1300/0068	11/16	0.688	0.732		.039	+.003	.066	.022	.035		0.763		0.41	0.45	.137	.063	.036	.06	1.2
N1300/0075	3/4	0.75	0.796		.039	-.000	.069	.023	.035		0.831		0.45	0.5	.147	.07	.04	.06	1.3
N1300/0077	-	0.777	0.825		.046		.072	.024	.042		0.859		0.47	0.52	.151	.074	.044	.06	1.7
N1300/0091	13/16	0.812	0.862		.046		.075	.025	.042		0.901		0.49	0.53	.16	.077	.044	.06	1.9
N1300/0086	-	0.866	0.92		.046		.081	.027	.042	±.002	0.961		0.54	0.59	.16	.081	.045	.06	2
N1300/0087	7/8	0.875	0.931		.046		.084	.028	.042		0.971		0.55	0.6	.16	.084	.045	.06	2.1
N1300/0090	-	0.901	0.959	±.003	.046		.087	.029	.042		1	+.02	0.58	0.63	.16	.087	.047	.06	2.2
N1300/0093	15/16	0.938	1		.046		.093	.031	.042		1.041	-.01	0.61	0.67	.16	.091	.05	.06	2.4
N1300/0100	1	1	1.066		.046		.099	.033	.042		1.111		0.68	0.74	.16	.104	.052	.06	2.7
N1300/0102	-	1.023	1.091		.046		.102	.034	.042		1.136		0.7	0.76	.16	.106	.054	.06	2.8
N1300/0106	1 1/16	1.062	1.13		.056		.102	.034	.05		1.18		0.69	0.75	.185	.11	.055	.076	3.7
N1300/0112	1 1/8	1.125	1.197		.056		.108	.036	.05		1.249		0.75	0.82	.185	.116	.057	.076	4
N1300/0118	1 3/16	1.188	1.262		.056		.111	.037	.05		1.319		0.81	0.88	.185	.12	.058	.076	4.3
N1300/0125	1 1/4	1.25	1.33		.056		.12	.04	.05		1.388		0.88	0.95	.185	.124	.062	.076	4.8
N1300/0131	1 5/16	1.312	1.396	±.004	.056		.126	.042	.05		1.456	+.03	0.94	1.02	.185	.13	.062	.076	5
N1300/0137	1 3/8	1.375	1.461		.056		.129	.043	.05		1.526	-.02	1	1.08	.185	.13	.063	.076	5.1
N1300/0143	1 7/16	1.438	1.528		.056		.135	.045	.05		1.596		1.06	1.15	.185	.133	.065	.076	5.8
N1300/0145	-	1.456	1.548		.056		.138	.046	.05		1616		1.08	1.17	.185	.133	.065	.076	6
N1300/0150	1 1/2	1.5	1.594		.056	+.004	.141	.047	.05		1.66		1.13	1.22	.185	.133	.066	.076	6.1
N1300/0156	1 9/16	1.562	1.658		.068	-.000	.144	.048	.062		1.734		1.15	1.24	.205	.16	.079	.076	9.1
N1300/0162	1 5/8	1.625	1.725		.068		.15	.05	.062		1.804		1.21	1.31	.205	.16	.08	.076	10.1
N1300/0165	-	1.653	1.755		.068		.153	.051	.062		1.835		1.24	1.34	.205	.167	.083	.076	10.4
N1300/0168	1 11/16	1.688	1.792		.068		.156	.052	.062		1.874		1.27	1.38	.205	.17	.085	.076	10.8
N1300/0175	1 3/4	1.75	1.858	±.005	.068		.162	.054	.062	±.003	1.942	+.04	1.34	1.44	.205	.175	.082	.076	11.5
N1300/0181	1 13/16	1.812	1.922		.068		.165	.055	.062		2.012	-.03	1.4	1.51	.205	.17	.084	.091	12
N1300/0185	-	1.850	1.962		.068		.168	.056	.062		2.054		1.44	1.55	.205	.17	.085	.091	12.8
N1300/0187	1 7/8	1.875	1.989		.068		.171	.057	.062		2.072		1.46	1.58	.205	.17	.085	.091	12.8
N1300/0193	1 15/16	1.938	2.056		.068		.177	.059	.062		2.141		1.52	1.64	.205	.165	.079	.091	13.3

For more sizes please contact our sales team.

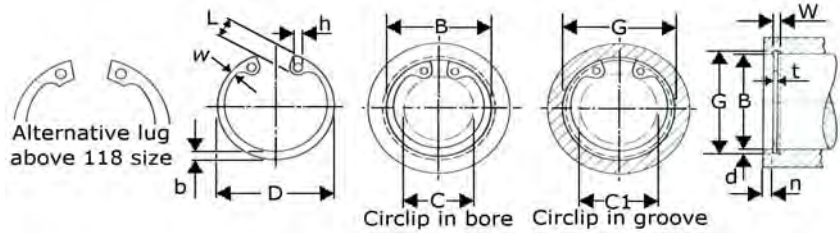
All dimensions in inches unless stated otherwise.

If a dimension is critical to your application please contact our sales department for confirmation.

Please note : errors and omissions excepted.



N1300 Standard Internal Circlips (Imperial) American Specifications



CODE	Bore		Groove (G)					Circlip (F)										Wt. lb/k	
	B		G	Tol.	W	Tol.	n d min	~	t	Tol.	D	Tol.	C	C1	L max	b ~	w ~		h min
	frac	dec																	
N1300/0200	2	2	2.122	±.005	.068	+.004	.183	.061	.062		2.21		1.59	1.71	.205	.17	.085	.091	13
N1300/0206	2 1/16	2.062	2.186		.086		.186	.062	.078		2.28		1.61	1.73	.225	.186	.091	.091	18
N1300/0212	2 1/8	2.125	2.251		.086		.189	.063	.078		2.35		1.65	1.78	.236	.195	.096	.091	19.4
N1300/0218	2 3/16	2.188	2.318		.086		.195	.065	.078		2.415		1.71	1.84	.236	.199	.098	.091	19.6
N1300/0225	2 1/4	2.25	2.382		.086		.198	.066	.078		2.49		1.77	1.91	.236	.203	.107	.091	21.8
N1300/0231	2 5/16	2.312	2.45		.086		.207	.069	.078		2.56		1.84	1.98	.236	.205	.106	.091	22.6
N1300/0237	2 3/8	2.375	2.517		.086		.213	.071	.078		2.63		1.9	2.04	.236	.207	.108	.091	23.8
N1300/0244	2 7/16	2.44	2.584		.086		.216	.072	.078		2.702	+.04	1.96	2.11	.236	.205	.104	.108	25.3
N1300/0250	2 1/2	2.5	2.648		.086		.222	.074	.078		2.775	-.03	2.02	2.17	.236	.21	.103	.108	29.3
N1300/0256	2 9/16	2.562	2.714		.103		.228	.076	.093		2.844		2.02	2.18	.268	.222	.109	.108	30.4
N1300/0262	2 5/8	2.625	2.781		.103		.234	.078	.093		2.91		2.08	2.24	.268	.226	.118	.108	34.5
N1300/0268	2 11/16	2.688	2.848		.103		.24	.08	.093		2.98		2.15	2.31	.268	.236	.122	.108	36.2
N1300/0275	2 3/4	2.75	2.914		.103		.246	.082	.093		3.05		2.18	2.34	.284	.234	.114	.108	35.5
N1300/0281	2 13/16	2.812	2.98		.103		.252	.084	.093		3.121		2.24	2.4	.284	.23	.115	.108	39.2
N1300/0287	2 7/8	2.875	3.051		.103		.264	.088	.093		3.191		2.3	2.47	.284	.24	.125	.108	41
N1300/0300	3	3	3.182		.103		.273	.091	.093		3.325		2.43	2.6	.284	.25	.124	.108	42.5
N1300/0306	3 1/16	3.062	3.248		.12		.279	.093	.109		3.418		2.46	2.64	.299	.254	.126	.123	54.4
N1300/0312	3 1/8	3.125	3.315		.12		.285	.095	.109		3.488	±.003	2.52	2.71	.299	.26	.129	.123	56
N1300/0315	-	3.149	3.348	±.006		+.005	.288	.096	.109		3.523		2.55	2.74	.299	.26	.129	.123	57.1
N1300/0325	3 1/4	3.25	3.446		.12	-.000	.294	.098	.109		3.623		2.65	2.84	.299	.269	.135	.123	59.9
N1300/0334	3 11/32	3.346	3.546		.12		.3	.1	.109		3.734	±.06	2.69	2.89	.323	.276	.14	.123	63
N1300/0347	3 15/32	3.469	3.675		.12		.309	.103	.109		3.857		2.77	2.96	.35	.294	.143	.123	69
N1300/0350	3 1/2	3.5	3.71		.12		.315	.105	.109		3.89		2.8	2.9	.35	.294	.143	.123	71
N1300/0354	-	3.543	3.776		.12		.321	.107	.109		3.936		2.84	3.07	.35	.292	.142	.123	72.1
N1300/0362	3 5/8	3.625	3.841		.12		.324	.108	.109		4.024		2.92	3.13	.35	.298	.149	.123	73
N1300/0375	3 3/4	3.750	3.974		.12		.336	.112	.109		4.157		3.04	3.26	.35	.309	.155	.123	78
N1300/0387	3 7/8	3.875	4.107		.12		.348	.116	.109		4.291		3.17	3.4	.35	.312	.165	.123	87.1
N1300/0393	3 15/16	3.938	4.174		.12		.354	.118	.109		4.358		3.23	3.46	.35	.319	.166	.123	87.9
N1300/0400	4	4	4.24		.12		.36	.12	.109		4.424		3.24	3.47	.378	.33	.166	.123	95
N1300/0412	4 1/8	4.125	4.365		.12		.36	.12	.109		4.558		3.36	3.6	.378	.33	.171	.123	97
N1300/0425	4 1/4	4.25	4.49		.12		.36	.12	.109		4.691	±.07	3.49	3.72	.378	.335	.18	.123	100
N1300/0433	-	4.331	4.571		.12		.36	.12	.109		4.756		3.5	3.73	.413	.345	.18	.151	107
N1300/0450	4 1/2	4.5	4.74		.12		.36	.12	.109		4.94		3.67	3.9	.413	.351	.181	.151	111
N1300/0462	4 5/8	4.625	4.865		.12		.36	.12	.109		5.076		3.79	4.03	.413	.36	.185	.151	119
N1300/0475	4 3/4	4.75	4.995		.12		.366	.122	.109		5.213		3.92	4.16	.413	.37	.175	.151	124
N1300/0500	5	5	5.26		.12		.39	.13	.109		5.485		4.1	4.36	.445	.395	.218	.151	136
N1300/0525	5 1/4	5.25	5.52	±.007	.139	+.006	.405	.135	.125	±.004	5.77		4.31	4.58	.465	.408	.212	.151	175

For more sizes please contact our sales team.

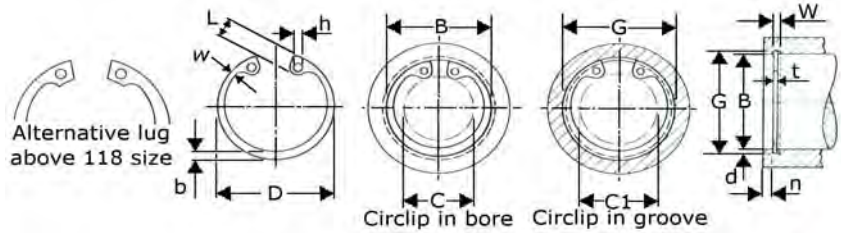
All dimensions in inches unless stated otherwise.

If a dimension is critical to your application please contact our sales department for confirmation.

Please note : errors and omissions excepted.



N1300
Standard Internal Circlips
(Imperial)
American Specifications

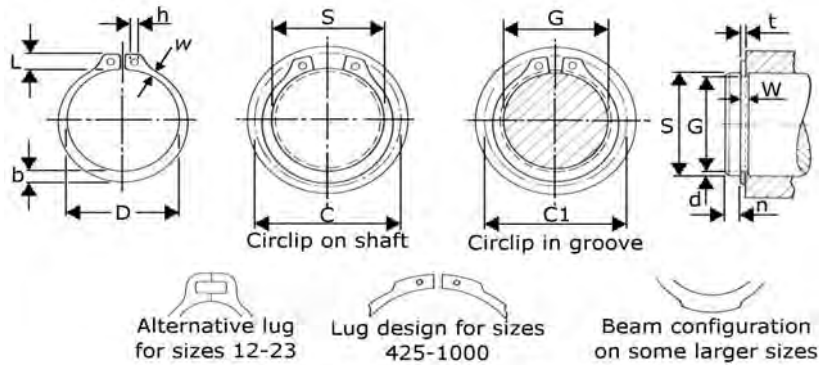


CODE	Bore		Groove (G)						Circlip (F)									Wt. lb/k
	B		G	Tol.	W	Tol.	n d min ~	t	Tol.	D	Tol.	C	C1	L max	b ~	w ~	h min	
	frac	dec																
N1300/0537	5 3/8	5.375	5.65		.139		.405 .135 .125		5.91		4.44	4.71	.465	.408	.198	.151	179	
N1300/0550	5 1/2	5.5	5.77	±.007	.139	+.006	.405 .135 .125	±.004	6.066	±.07	4.56	4.83	.465	.408	.2	.151	189	
N1300/0575	5 3/4	5.75	6.02		.139		.405 .135 .125		6.336		4.81	5.08	.465	.408	.198	.151	195	
N1300/0600	6	6	6.27		.139		.405 .135 .125		6.62		5.06	5.33	.465	.416	.223	.151	204	
N1300/0625	6 1/4	6.25	6.53		.174		.42 .14 .156		6.895		5.34	5.61	.454	.441	.213	.182	263	
N1300/0650	6 1/2	6.5	6.79		.174		.435 .145 .156		7.17		5.59	5.87	.454	.441	.244	.182	281	
N1300/0662	6 5/8	6.625	6.925		.174		.45 .15 .156		7.308	±.08	5.71	6.01	.454	.441	.22	.182	300	
N1300/0675	6 3/4	6.75	7.055		.174		.456 .152 .156		7.445		5.73	6.03	.508	.456	.224	.182	325	
N1300/0700	7	7	7.315		.174		.471 .157 .156		7.72		5.91	6.22	.54	.485	.258	.182	344	
N1300/0725	7 1/4	7.25	7.575		.209		.486 .162 .187		7.995		6.1	6.42	.57	.49	.238	.182	428	
N1300/0750	7 1/2	7.5	7.84		.209		.51 .17 .187		8.27		6.35	6.69	.57	.507	.282	.182	476	
N1300/0775	7 3/4	7.75	8.1		.209		.525 .175 .187		8.545		6.62	6.97	.56	.5	.241	.182	520	
N1300/0800	8	8	8.36	±.008	.209	+.008 -0.00	.54 .18 .187	±.005	8.82		6.79	7.15	.6	.55	.28	.182	555	
N1300/0825	8 1/4	8.25	8.62		.209		.555 .185 .187		9.095		7.04	7.41	.6	.548	.26	.182	603	
N1300/0850	8 1/2	8.5	8.88		.209		.57 .19 .187		9.285	±.09	7.23	7.6	.632	.573	.277	.182	634	
N1300/0875	8 3/4	8.75	9.145		.209		.591 .197 .187		9.558		7.48	7.88	.632	.576	.283	.182	653	
N1300/0900	9	9	9.405		.209		.606 .202 .187		9.83		7.73	8.13	.632	.592	.294	.182	732	
N1300/0925	9 1/4	9.25	9.668		.209		.627 .209 .187		10.102		7.98	8.39	.632	.622	.299	.182	767	
N1300/0950	9 1/2	9.5	9.93		.209		.645 .215 .187		10.375		8.23	8.65	.632	.622	.354	.182	803	
N1300/0975	9 3/4	9.75	10.19		.209		.66 .22 .187		10.648		8.5	8.93	no lug	.622	.295	.182	833	
N1300/1000	10	10	10.45		.209		.675 .225 .187		10.92		8.75	9.19	no lug	.622	.295	.182	863	

For more sizes please contact our sales team.
 All dimensions in inches unless stated otherwise.
 If a dimension is critical to your application please contact our sales department for confirmation.
 Please note : errors and omissions excepted.



N1400 Standard External Circlips (Imperial) American Specifications



CODE	Bore		Groove (G)				Circlip (F)												Wt. lb/k
	B		G	Tol.	W	Tol.	n d min	~	t	Tol.	D	Tol.	C	C1	L max	b ~	w ~	h min	
	frac	dec																	
N1400/0012	1/8	0.125	0.117		.012		.014	.004	.01	±.001	0.112		0.22	0.214	.048	.018	.011	.024	0.02
N1400/0015	5/32	0.156	0.146		.012		.017	.005	.01		0.142		0.27	0.26	.056	.026	.016	.024	0.04
N1400/0018	3/16	0.188	0.175		.018	+.002	.022	.007	.015		0.168		0.3	0.286	.052	.025	.016	.023	0.06
N1400/0019	-	0.197	0.185	±.001	.018	-.000	.02	.006	.015		0.179		0.32	0.307	.058	.026	.016	.024	0.06
N1400/0021	7/32	0.219	0.205		.018		.023	.007	.015		0.196		0.34	0.324	.058	.028	.017	.024	0.07
N1400/0023	15/64	0.236	0.222		.018		.023	.007	.015		0.215		0.36	0.341	.058	.03	.019	.024	0.09
N1400/0025	1/4	0.25	0.23		.029		.032	.01	.025		0.225		0.45	0.43	.083	.035	.025	.039	0.21
N1400/0027	-	0.276	0.255		.029		.035	.01	.025		0.25		0.48	0.46	.084	.035	.024	.039	0.25
N1400/0028	9/32	0.281	0.261		.029		.033	.01	.025		0.256		0.49	0.47	.083	.038	.025	.039	0.24
N1400/0031	5/16	0.312	0.29		.029		.036	.011	.025		0.281		0.54	0.52	.09	.04	.026	.039	0.27
N1400/0034	11/32	0.344	0.321		.029		.038	.012	.025		0.309		0.57	0.55	.09	.042	.026	.039	0.31
N1400/0035	-	0.354	0.33		.029		.038	.012	.025		0.32		0.59	0.57	.09	.046	.029	.039	0.35
N1400/0037	3/8	0.375	0.352		.029		.038	.012	.025		0.338		0.61	0.59	.091	.05	.03	.039	0.39
N1400/0039	-	0.394	0.369	±.002	.029		.041	.013	.025		0.354		0.62	0.6	.09	.052	.031	.039	0.42
N1400/0040	13/32	0.406	0.382		.029		.039	.012	.025		0.366		0.63	0.61	.09	.054	.033	.039	0.43
N1400/0043	7/16	0.438	0.412		.029		.042	.013	.025		0.395		0.66	0.64	.091	.055	.033	.039	0.5
N1400/0046	15/32	0.469	0.443		.029		.042	.013	.025		0.428		0.68	0.66	.091	.06	.035	.039	0.54
N1400/0050	1/2	0.5	0.468		.039		.051	.016	.035		0.461		0.77	0.74	.111	.065	.04	.045	0.91
N1400/0055	-	0.551	0.519		.039	+.003	.051	.016	.035		0.509		0.81	0.78	.111	.053	.036	.045	0.9
N1400/0056	9/16	0.562	0.53		.039	-.000	.051	.016	.035	±.002	0.521		0.82	0.79	.111	.072	.041	.045	1.1
N1400/0059	19/32	0.594	0.559		.039		.057	.017	.035		0.55		0.86	0.83	.112	.076	.043	.045	1.2
N1400/0062	5/8	0.625	0.588		.039		.06	.018	.035		0.579		0.9	0.87	.113	.08	.045	.045	1.3
N1400/0066	43/64	0.672	0.631		.039		.066	.02	.035		0.621		0.93	0.89	.113	.082	.043	.045	1.4
N1400/0068	11/16	0.688	0.646		.046		.068	.021	.042		0.635		1.01	0.97	.14	.084	.048	.05	1.8
N1400/0075	3/4	0.75	0.704		.046		.074	.023	.042		0.693		1.09	1.05	.14	.092	.05	.05	2.1
N1400/0078	25/32	0.781	0.733		.046		.076	.024	.042		0.722		1.12	1.08	.14	.094	.052	.05	2.2
N1400/0081	13/16	0.812	0.762	±.003	.046		.08	.025	.042		0.751		1.15	1.1	.14	.096	.054	.05	2.5
N1400/0098	7/8	0.875	0.821		.046		.085	.027	.042		0.81		1.21	1.16	.141	.104	.057	.05	2.8
N1400/0093	15/16	0.938	0.882		.046		.088	.028	.042		0.867		1.34	1.29	.17	.11	.063	.076	3.1
N1400/0098	63/64	0.984	0.926		.046		.091	.029	.042		0.91		1.39	1.34	.171	.114	.065	.076	3.5
N1400/0100	1	1	0.94		.046		.094	.03	.042		0.925		1.41	1.35	.171	.116	.065	.076	3.6
N1400/0102	-	1.023	0.961		.046		.097	.031	.042		0.946		1.43	1.37	.172	.118	.066	.076	3.9
N1400/0106	1 1/16	1.062	0.998		.056		.102	.032	.05		0.982		1.5	1.44	.185	.122	.069	.076	4.8
N1400/0112	1 1/8	1.125	1.059		.056		.105	.033	.05		1.041		1.55	1.49	.186	.128	.071	.076	5.1
N1400/0118	1 3/16	1.188	1.118	±.004	.056	+.004	.111	.035	.05		1.098		1.61	1.54	.186	.132	.072	.076	5.6
N1400/0125	1 1/4	1.25	1.176		.056	-.000	.117	.037	.05		1.156		1.69	1.62	.187	.14	.076	.076	5.9
N1400/0131	1 5/16	1.312	1.232		.056		.126	.04	.05		1.214		1.75	1.67	.187	.146	.077	.076	6.8

For more sizes please contact our sales team.

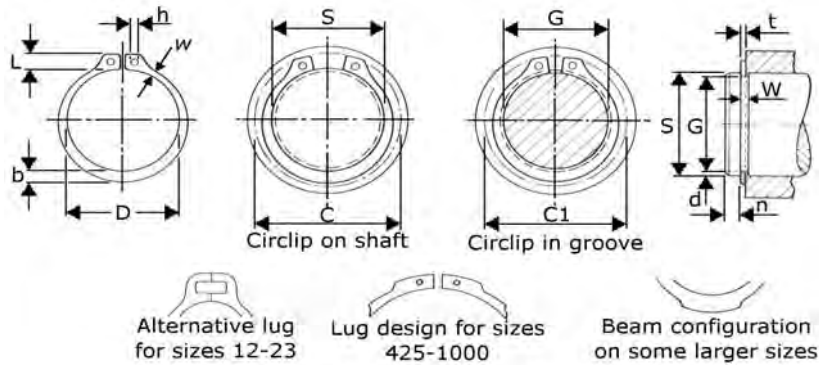
All dimensions in inches unless stated otherwise.

If a dimension is critical to your application please contact our sales department for confirmation.

Please note : errors and omissions excepted.



N1400 Standard External Circlips (Imperial) American Specifications



CODE	Bore		Groove (G)				Circlip (F)											Wt. lb/k	
	B		G	Tol.	W	Tol.	n	d	t	Tol.	D	Tol.	C	C1	L	b	w		h
	frac	dec																	
N1400/0137	1 3/8	1.375	1.291		.056		.132	.042	.05		1.272	+.010	1.8	1.72	.188	.152	.082	.076	7.2
N1400/0143	1 7/16	1.438	1.35	±.004	.056		.138	.044	.05	±.002	1.333	-.015	1.87	1.79	.188	.16	.086	.076	8.1
N1400/0150	1 1/2	1.5	1.406		.056		.147	.047	.05		1.387		1.99	1.9	.218	.168	.091	.118	9
N1400/0156	1 9/16	1.562	1.468		.068		.148	.047	.062		1.446		1.95	1.85	.189	.18	.098	.1	11.7
N1400/0162	1 5/8	1.625	1.529		.068		.151	.048	.062		1.503		2.17	2.08	.189	.18	.097	.1	12.8
N1400/0168	1 11/16	1.688	1.589		.068	+.004	.156	.049	.062		1.56		2.04	1.95	.205	.197	.099	.1	13.2
N1400/0175	1 3/4	1.75	1.65		.068	-.000	.157	.05	.062		1.618		2.11	2.01	.205	.197	.101	.1	13.8
N1400/0177	-	1.772	1.669	±.005	.068		.162	.051	.062		1.618	+.013	2.19	2.09	.205	.197	.102	.1	14.1
N1400/0181	1 13/16	1.812	1.708		.068		.163	.052	.062		1.675	-.020	2.23	2.13	.205	.197	.095	.1	14.7
N1400/0187	1 7/8	1.875	1.769		.068		.166	.053	.062		1.735		2.29	2.19	.205	.197	.104	.1	15.5
N1400/0196	-	1.968	1.857		.068		.174	.055	.062		1.819		2.39	2.27	.205	.197	.106	.123	18.2
N1400/0200	2	2	1.886		.068		.178	.057	.062		1.85		2.48	2.36	.232	.224	.108	.123	19.2
N1400/0206	2 1/16	2.062	1.946		.086		.183	.058	.078		1.906		2.52	2.4	.225	.217	.111	.123	22.6
N1400/0212	2 1/8	2.125	2.003		.086		.192	.061	.078		1.964		2.61	2.48	.236	.228	.12	.123	24.4
N1400/0215	2 5/32	2.156	2.032		.086		.195	.062	.078		1.993		2.62	2.49	.225	.217	.113	.123	26.6
N1400/0225	2 1/4	2.25	2.12		.086		.204	.065	.078		2.081	+.015	2.87	2.74	.225	.217	.116	.123	26
N1400/0231	2 5/16	2.312	2.178		.086		.21	.067	.078		2.139	-.025	2.94	2.81	.225	.217	.118	.123	28.4
N1400/0237	2 3/8	2.375	2.239		.086		.213	.068	.078		2.197		2.86	2.72	.236	.228	.119	.123	27.9
N1400/0243	2 7/16	2.438	2.299		.086		.217	.069	.078		2.255		2.92	2.78	.236	.228	.12	.123	29.4
N1400/0250	2 1/2	2.5	2.36		.086		.219	.07	.078	±.003	2.313		2.98	2.84	.236	.228	.122	.123	29.7
N1400/0255	-	2.559	2.419		.086		.219	.07	.078		2.377		3.09	2.94	.258	.25	.13	.123	31.7
N1400/0262	2 5/8	2.625	2.481		.086		.225	.072	.078		2.428		3.11	2.96	.236	.228	.12	.123	35
N1400/0268	2 11/16	2.688	2.541		.086		.23	.073	.078		2.485		3.32	3.18	.273	.246	.129	.123	36
N1400/0275	2 3/4	2.75	2.602		.103		.231	.074	.093		2.543		3.33	3.18	.284	.276	.145	.123	47
N1400/0287	2 7/8	2.875	2.721	±.006	.103	+.005	.24	.077	.093		2.659		3.42	3.26	.268	.26	.133	.123	48.4
N1400/0293	2 15/16	2.938	2.779		.103	-.000	.247	.079	.093		2.717		3.49	3.32	.268	.26	.125	.123	50
N1400/0300	3	3	2.838		.103		.252	.081	.093		2.775		3.55	3.38	.268	.26	.138	.123	51.5
N1400/0306	3 1/16	3.062	2.898		.103		.255	.082	.093		2.832		3.61	3.44	.268	.26	.131	.123	56.8
N1400/0312	3 1/8	3.125	2.957		.103		.261	.084	.093		2.892	+.020	3.75	3.57	.305	.272	.141	.123	57.9
N1400/0315	3 5/32	3.156	2.986		.103		.264	.085	.093		2.92	-.030	3.74	3.56	.284	.276	.143	.123	59
N1400/0325	3 1/4	3.25	3.076		.103		.27	.087	.093		3.006		3.83	3.65	.284	.276	.145	.123	61.9
N1400/0334	3 11/32	3.346	3.166		.103		.279	.09	.093		3.092		3.93	3.74	.284	.276	.147	.123	63.9
N1400/0343	3 7/16	3.438	3.257		.103		.28	.09	.093		3.179		4.02	3.83	.284	.276	.13	.123	65.9
N1400/0350	3 1/2	3.5	3.316		.12		.285	.092	.093		3.237		4.15	3.96	.32	.285	.148	.123	71.9
N1400/0354	-	3.543	3.357		.12		.288	.093	.109		3.277		4.2	4	.32	.288	.149	.123	72.9
N1400/0362	3 5/8	3.625	3.435		.12		.294	.095	.109		3.352		4.28	4.09	.323	.315	.153	.123	76
N1400/0368	3 11/16	3.688	3.493		.12		.301	.097	.109		3.41		4.31	4.11	.335	.302	.156	.123	80

For more sizes please contact our sales team.

All dimensions in inches unless stated otherwise.

If a dimension is critical to your application please contact our sales department for confirmation.

Please note : errors and omissions excepted.

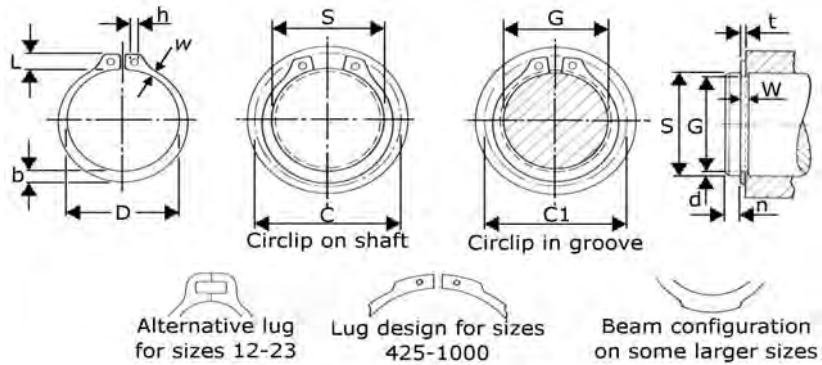


N1400

Standard External Circlips

(Imperial)

American Specifications

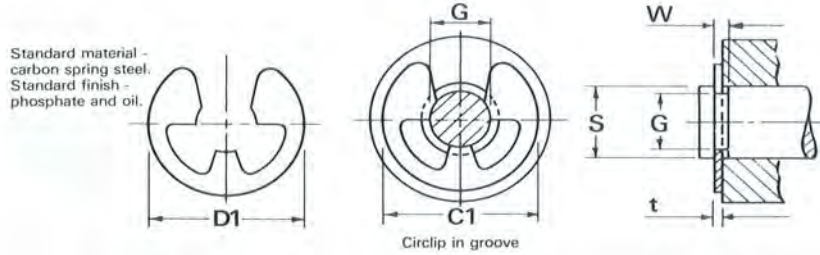


CODE	Bore		Groove (G)				Circlip (F)												Wt. lb/k
	B		G	Tol.	W	Tol.	n d min	~	t	Tol.	D	Tol.	C	C1	L max	b ~	w ~	h min	
	frac	dec																	
N1400/0375	3 3/4	3.75	3.552		.12		.306	.099	.109		3.468		4.44	4.23	.337	.31	.16	.123	82.9
N1400/0387	3 7/8	3.875	3.673		.12		.312	.101	.109		3.584		4.56	4.35	.335	.318	.163	.123	87.9
N1400/0393	3 15/16	3.938	3.734		.12		.315	.102	.109		3.642		4.6	4.39	.323	.318	.163	.123	95
N1400/0400	4	4	3.792		.12		.321	.104	.109		3.7		4.72	4.5	.352	.344	.176	.123	100
N1400/0425	4 1/4	4.25	4.065	±.006	.12	+0.005 -.000	.287	.092	.109	±.003	3.989	+0.020 -.030	4.91	4.72	.323	.318	.176	.123	112
N1400/0437	4 3/8	4.375	4.19		.12		.287	.092	.109		4.106		5.04	4.84	.323	.318	.181	.123	115
N1400/0450	4 1/2	4.5	4.31		.12		.294	.95	.109		4.223		5.16	4.96	.323	.285	.128	.123	100
N1400/0475	4 3/4	4.75	4.55		.12		.309	.1	.109		4.458		5.47	5.26	.437	.303	.152	.123	113
N1400/0550	5	5	4.79		.12		.324	.105	.109		4.692		5.72	5.5	.445	.36	.186	.151	149
N1400/0525	5 1/4	5.25	5.03		.139		.339	.11	.125		4.927		6.18	5.95	.457	.372	.211	.151	188
N1400/0550	5 1/2	5.5	5.265	±.007	.139	+0.006 -.000	.363	.117	.125	±.004	5.162	+0.020 -.040	6.43	6.19	.457	.39	.209	.151	196
N1400/0575	5 3/4	5.75	5.505		.139		.378	.122	.125		5.396		6.68	6.43	.457	.408	.22	.151	199
N1400/0600	6	6	5.745		.139		.393	.127	.125		5.631		6.93	6.67	.457	.381	.171	.151	212
N1400/0625	6 1/4	6.25	5.985		.174		.409	.132	.156		5.866		7.28	7.01	.508	.396	.176	.151	281
N1400/0650	6 1/2	6.5	6.225		.174		.425	.137	.156		6.1	+0.020 -.050	7.53	7.25	.508	.438	.236	.151	322
N1400/0675	6 3/4	6.75	6.465		.174		.44	.142	.156		6.335		7.78	7.49	.508	.456	.246	.182	356
N1400/0700	7	7	6.705		.174		.455	.147	.156		6.57		8.03	7.73	.508	.46	.256	.182	388
N1400/0750	7 1/2	7.5	7.18	±.008	.209	+0.008 -.000	.492	.16	.187	±.005	7.039		8.78	8.45	.632	.507	.269	.182	534
N1400/0800	8	8	7.66		.209		.522	.17	.187		7.508		9.27	8.93	.632	.54	.275	.182	628
N1400/0850	8 1/2	8.5	8.14		.209		.552	.18	.187		7.977	+0.020 -.160	9.78	9.41	.632	.573	.3	.182	700
N1400/0900	9	9	8.62		.209		.582	.19	.187		8.455		10.25	9.87	No Lugs	.609	.41	.182	756
N1400/0950	9 1/2	9.5	9.1		.209		.612	.2	.187		8.915		10.78	10.38	.632	.625	.42	.182	820
N1400/1000	10	10	9.575		.209		.65	.212	.187		9.385		11.27	10.85	.632	.625	.37	.182	964

For more sizes please contact our sales team.
 All dimensions in inches unless stated otherwise.
 If a dimension is critical to your application please contact our sales department for confirmation.
 Please note : errors and omissions excepted.



N1500
Standard Series E Circlips
(Imperial)
American Specifications



CODE	Shaft (S)		Groove (G)			Circlip (F)				
	S	Tol.	G	Tol.	W	Tol.	D1	C1	t	Tol.
N1500/X004	0.04	+0.010	0.026	+0.002 -0.000	0.012	+0.002 0.000	0.079	0.09	0.01	±0.001
N1500/X006	0.062	0.000	0.052		0.012		0.14	0.15	0.01	
N1500/0006	0.062	+0.030 0.000	0.052		0.012		0.156	0.165	0.01	
N1500/Y006	0.062		0.052		0.023		0.187	0.2	0.02	
N1500/X009	0.094	0.000	0.074		0.018		0.23	0.245	0.015	±0.002
N1500/0009	0.094	0.074	0.018		0.187		0.2	0.015		
N1500/X011	0.11	0.079	0.018		0.375		0.39	0.015		
N1500/0012	0.125	0.095	0.018		0.23		0.24	0.015		
N1500/X014	0.14	+0.040	0.102		0.018		0.203	0.214	0.015	
N1500/Y014	0.14	0.000	0.11		0.018		0.25	0.265	0.015	
N1500/0014	0.14	0.105	0.029		0.27		0.285	0.025		
N1500/0015	0.156	+0.050	0.116		0.029		0.282	0.295	0.025	
N1500/X017	0.172	0.000	0.127		0.029		0.312	0.325	0.025	
N1500/X018	0.188	+0.060	0.125		0.029		0.375	0.39	0.025	
N1500/0018	0.188	0.000	0.147	0.029	0.335	0.35	0.025			
N1500/X021	0.219	0.188	0.029	0.437	0.45	0.025	±0.002			
N1500/0025	0.25	0.21	0.029	0.527	0.54	0.025				
N1500/X031	0.312	+0.100	0.25	0.029	0.5	0.52		0.025		
N1500/0037	0.375	-0.000	0.303	0.039	0.66	0.68		0.035		
N1500/0043	0.438	0.343	0.039	0.687	0.71	0.035				
N1500/X043	0.438	0.38	0.039	0.6	0.62	0.035				
N1500/0050	0.5	0.396	+0.003 -0.000	0.046	0.8	0.82		0.042		
N1500/0062	0.625	0.485	0.046	0.94	0.96	0.042				
N1500/X074	0.744	+0.120	0.625	0.056	1	1.02		0.05		
N1500/0075	0.75	0.000	0.58	0.056	1.12	1.14		0.05		
N1500/0087	0.875	0.675	0.056	1.3	1.32	0.05				
N1500/X098	0.984	0.835	0.056	1.5	1.53	0.05				
N1500/X118	1.188	+0.200	1.079	+0.005	0.068	+0.004	1.626	1.67	0.062	±0.003
N1500/X137	0.1375	0.000	1.23	-0.000	0.068	0.000	1.875	1.92	0.062	

For more sizes please contact our sales team.
 All dimensions in inches unless stated otherwise.
 If a dimension is critical to your application please contact our sales department for confirmation.
 Please note : errors and omissions excepted.



ASHLEY POWER



Notes