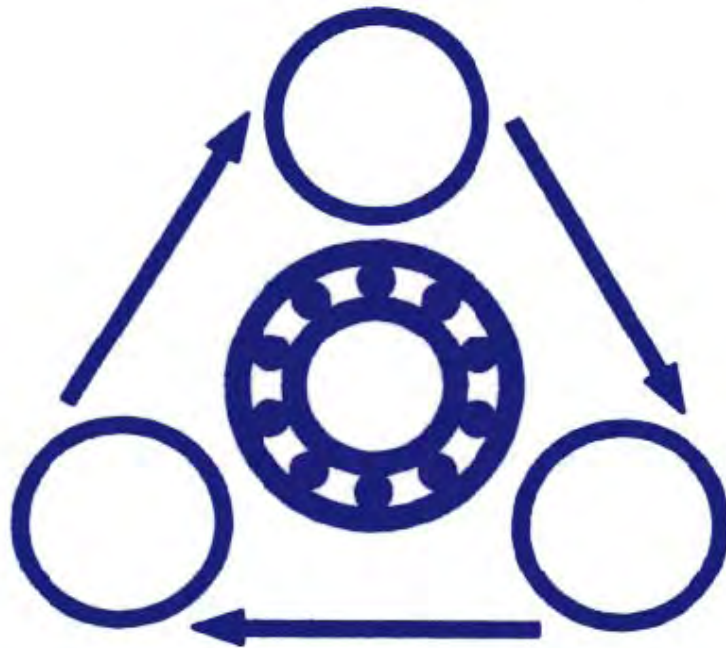


ASHLEY POWER LTD.
580-586 ASHLEY
ROAD
PARKSTONE
POOLE
DORSET, BH14 0AQ

ASHLEY POWER



CHAIN & SPROCKETS CATALOGUE



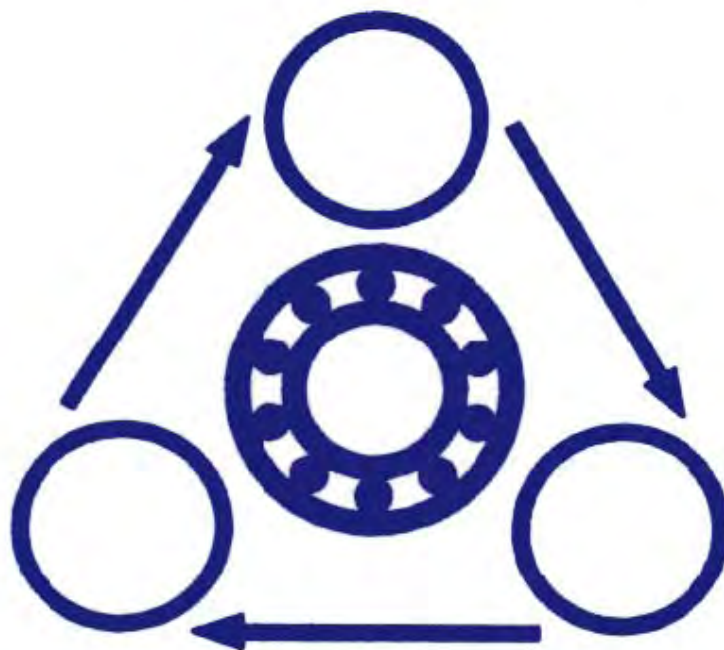
Chain & Sprockets Contents

Chain.....	E1
Sprockets & Platewheels.....	F1

Please note: At Ashley Power we take care to ensure that all information is correct at time of printing however some errors and omissions excepted.

ASHLEY POWER LTD.
580-586 ASHLEY
ROAD
PARKSTONE
POOLE
DORSET, BH14 0AQ

ASHLEY POWER



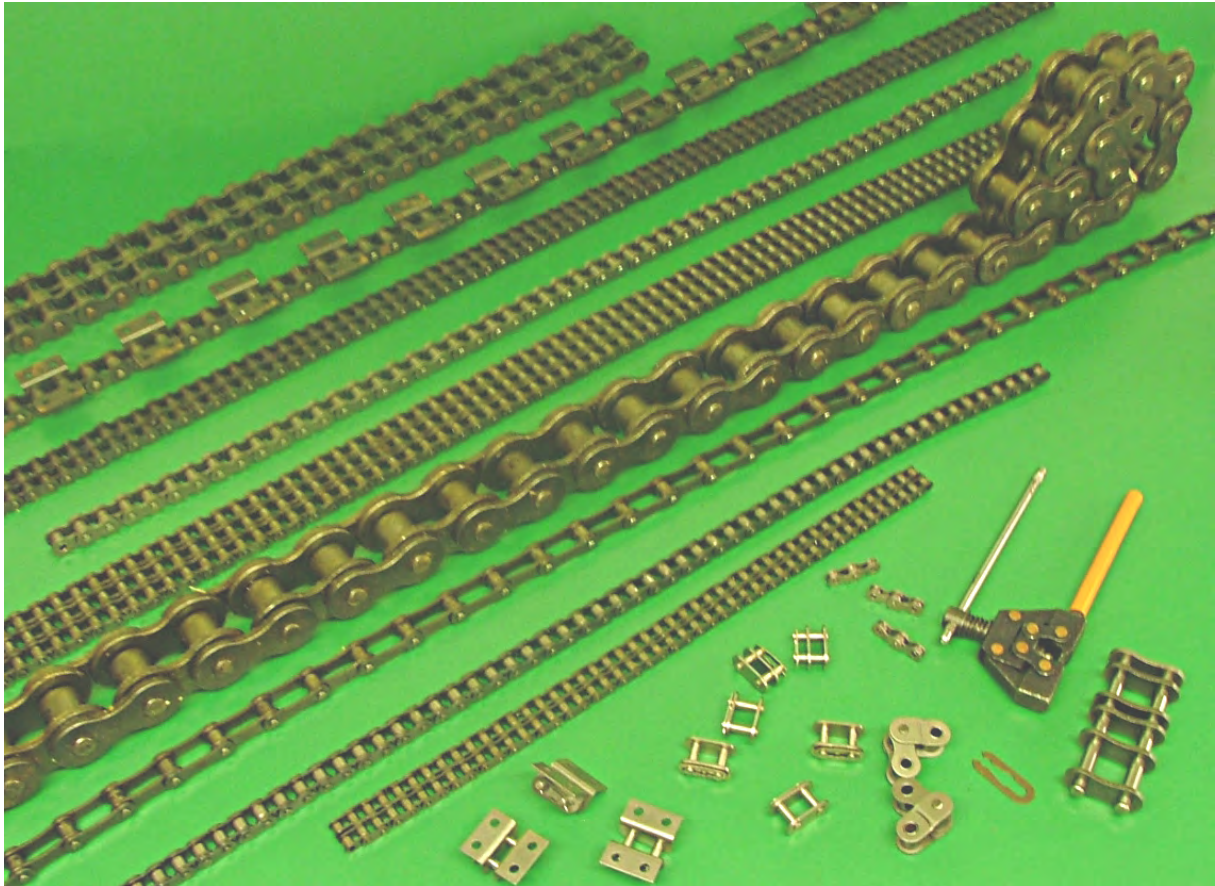
CHAIN CATALOGUE



ASHLEY POWER



TRANSMISSION CHAIN

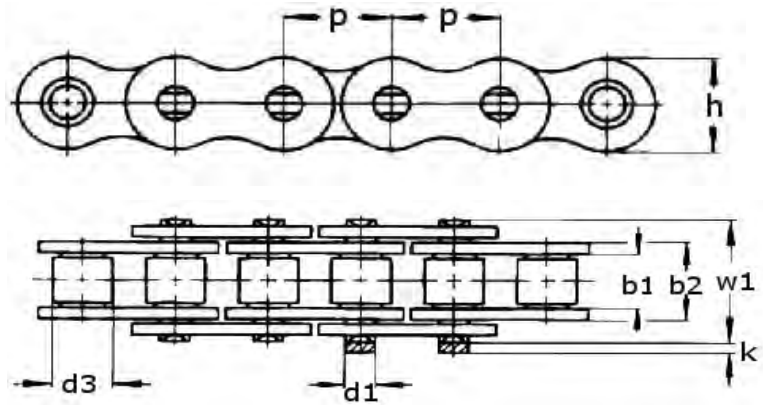




Chain Contents

British Standard Simplex.....	E4
British Standard Duplex.....	E5
British Standard Triplex.....	E6
British Standard Stainless Steel Simplex.....	E7
British Standard Stainless Steel Duplex.....	E8
British Standard Stainless Steel Triplex.....	E9
American Standard Simplex.....	E10
American Standard Simplex Heavy Duty.....	E11
American Standard Duplex.....	E12
American Standard Triplex.....	E13

Please note: At Ashley Power we take care to ensure that all information is correct at time of printing however some errors and omissions excepted.



Roller Chain
British Standard
SIMPLEX
To DIN8187
(ISO 606-1982 & SMS 1613)

Product Code	ISO DIN Code	Pitch (p)		b1 min	b2 max	d3 max	d1	h max	k	w1 max	Break load		Weight kg/m
		mm	inch								DIN kN min	W kN median	
04B-1	4	6	-	2.8	4.1	4	1.85	5	2.9	7.4	3	3.3	0.15
05B-1	05B-1	8	-	3	4.77	5	2.31	7.1	3.1	8.6	5	5.9	0.18
06B-1	06B-1*	9.525	3/8	5.72	8.53	6.35	3.28	8.2	3.3	13.5	9	10.1	0.41
081-1B	81	12.7	1/2	3.3	5.8	7.75	3.66	9.9	1.5	10.2	8.2	9.97	0.28
08N	332	12.7	1/2	4.88	7.2	7.75	3.66	9.9	1.5	11.2	8.2	10	0.33
083-1M	83	12.7	1/2	4.88	7.9	7.75	4.09	10.3	1.5	12.9	12	12.7	0.42
08L-1	-	12.7	1/2	6.4	9.78	7.75	3.97	11.5	3.9	15.4	16	17.5	0.5
**08B-1	08B-1	12.7	1/2	7.75	11.3	8.51	4.45	11.8	3.9	17	18	19	0.7
**10B-1	10B-1	15.875	5/8	9.65	13.28	10.16	5.08	14.7	4.1	19.6	22.4	28.4	0.91
**12B-1	12B-1	19.05	3/4	11.68	15.62	12.07	5.72	16.1	4.6	22.7	29	32.5	1.18
**16B-1	16B-1	25.4	1	17.02	25.4	15.88	8.28	21	5.4	36.1	60	76.5	2.68
20B-1	20B-1	31.75	1 1/4	19.56	29	19.05	10.19	26.4	6.1	43.2	95	108	3.5
24B-1	24B-1	38.1	1 1/2	25.4	37.9	25.4	14.63	33.4	6.6	53.4	160	185.5	6.8
28B-1	28B-1	44.45	1 3/4	30.99	46.5	27.94	15.9	37	7.4	65.1	200	237	8.5
32B-1	32B-1	50.8	2	30.99	45.5	29.21	17.81	42.2	7.9	67.4	250	276	10.5
40B-1	40B-1	63.5	2 1/2	38.1	55.7	39.37	22.89	52.9	10	82.6	355	406	16.4
48B-1	48B-1	76.2	3	45.72	70.5	48.26	29.24	63.8	10	99.1	560	600	25

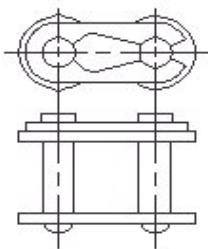
All dimensions in mm unless stated

* with straight side plates

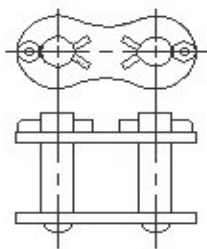
Zinc or nickel plated chains on request (only 80% of the breaking load of standard chain)

**Copperhead Easy Break chain as standard

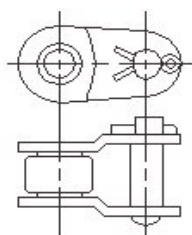
Please note : errors and omissions excepted.



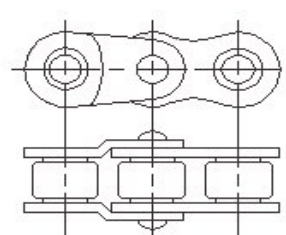
/26
Spring Clip



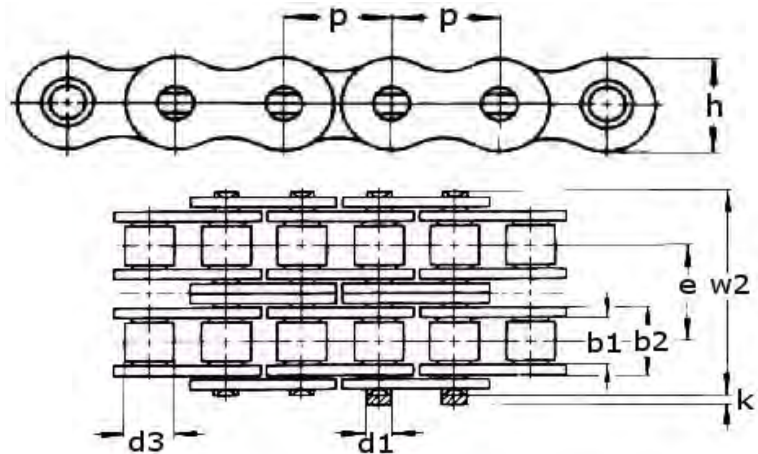
/26
cotter pin link



/12
single crank link



/30
double crank link



Roller Chain
British Standard
DUPLEX
To DIN8187
(ISO 606-1982 & SMS 1613)

Product Code	ISO DIN Code	Pitch		b1 min	b2 max	d3 max	d1	h max	k	e	w2 max	Break load		Weight kg/m
		mm	inch									DIN kN min	W kN median	
04B-2	42	6	-	2.8	4.1	4	1.85	5	2.9	13.3	5.5	5	5.8	0.23
05B-2	05B-2	8	-	3	4.77	5	2.31	7.1	3.1	14.3	5.64	7.8	8.6	0.36
06B-2	06B-2*	9.525	3/8	5.72	8.53	6.35	3.28	8.2	3.3	23.8	10.24	16.9	17.7	0.78
**08B-2	08B-2	12.7	1/2	7.75	11.3	8.51	4.45	11.8	3.9	31	13.92	32	39	1.36
*10B-2	10B-2	15.88	5/8	9.65	13.28	10.16	5.08	14.7	4.1	36.2	16.59	44.5	55	1.82
**12B-2	12B-2	19.05	3/4	11.68	15.62	12.07	5.72	16.1	4.6	42.2	19.46	57.8	65	2.38
**16B-2	16B-2	25.4	1	17.02	25.4	15.88	8.28	21	5.4	68	31.88	106	149.5	5.3
20B-2	20B-2	31.75	1 1/4	19.56	29	19.05	10.19	26.4	6.1	79	36.45	170	217.5	7.3
24B-2	24B-2	38.1	1 1/2	25.4	37.9	25.4	14.63	33.4	6.6	101	48.36	280	366	13.4
28B-2	28B-2	44.45	1 3/4	30.99	46.5	27.94	15.9	37	7.4	124	59.56	360	469	16.6
32B-2	32B-2	50.8	2	30.99	45.5	29.21	17.81	42.2	7.9	126	58.55	450	560	21
40B-2	40B-2	63.5	2 1/2	38.1	55.7	39.37	22.89	52.9	10	154	72.29	630	806	32.6
48B-2	48B-2	76.2	3	45.72	70.5	48.26	29.24	63.8	10	190	91.21	1000	1100	50

All dimensions in mm unless stated

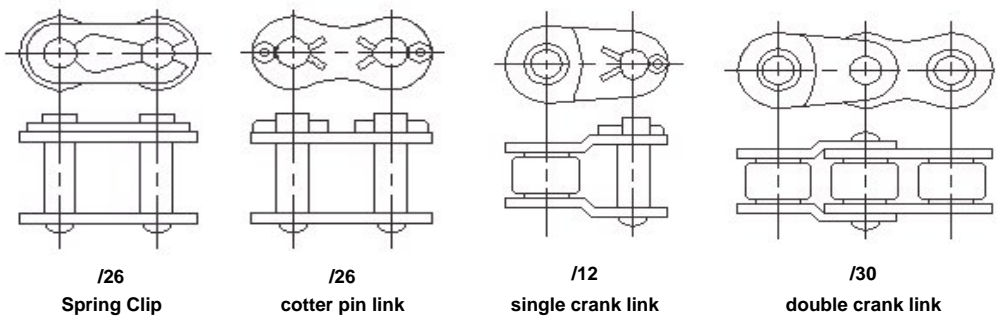
* with straight side plates

Zinc or nickel plated chains on request

(only 80% of the breaking load of standard chain)

**Copperhead Easy Break chain as standard

Please note : errors and omissions excepted.



1/26
Spring Clip

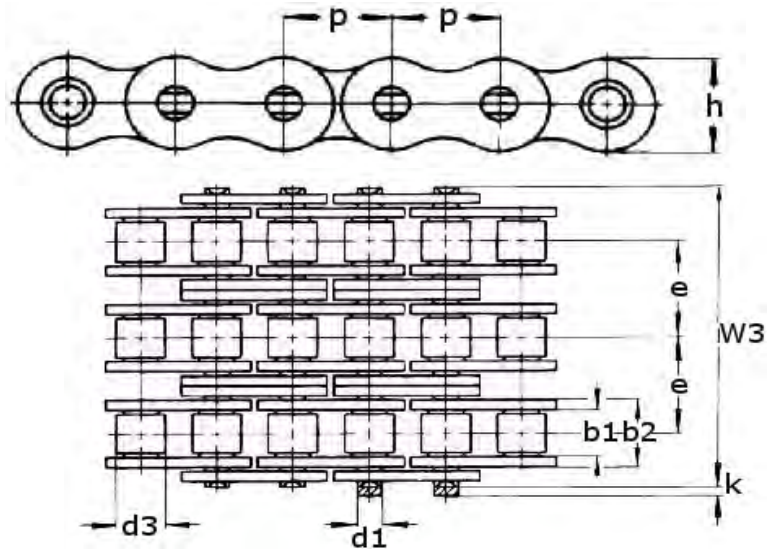
1/26
cotter pin link

1/12
single crank link

1/30
double crank link

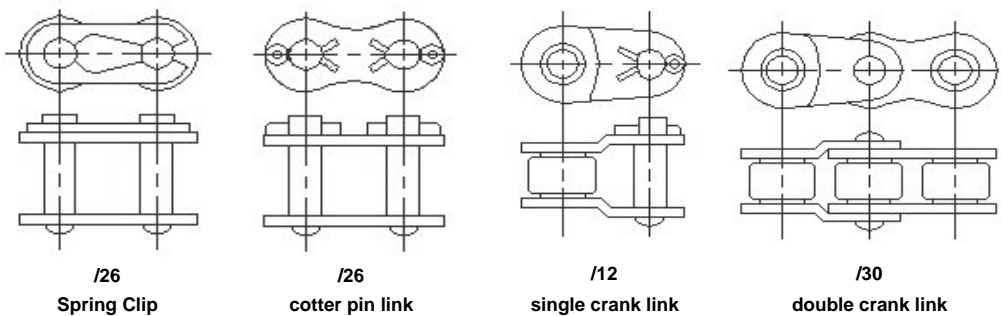


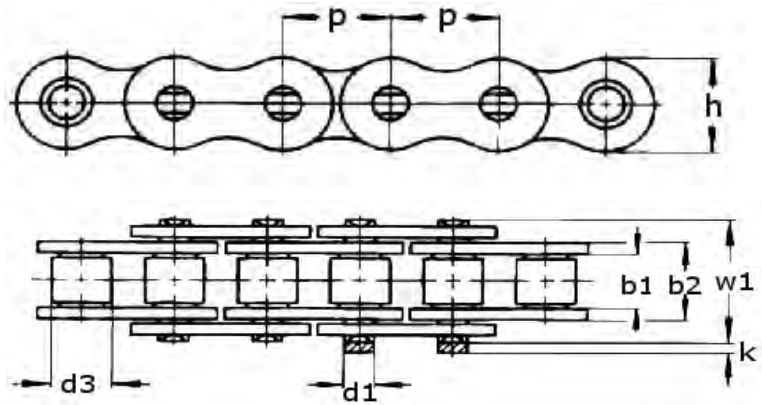
Roller Chain
British Standard
TRIPLEX
To DIN8187
(ISO 606-1982 & SMS 1613)



Product Code	ISO DIN Code	Pitch (p)		b1 min	b2 max	d3 max	d1	h max	k	e	W3 max	Break load		Weight kg/m
		mm	inch									DIN kN min	W kN median	
05B-3	05B-3	8	-	3	4.77	5	2.31	7.1	3.1	19.9	5.64	10.2	11	0.54
06B-3	06B-3*	9.525	3/8	5.72	8.53	6.35	3.28	8.2	3.3	34	10.24	23.6	23.7	1.18
**08B-3	08B-3	12.7	1/2	7.75	11.3	8.51	4.45	11.8	3.9	44.9	13.92	47.5	57.5	2.01
**10B-3	10B-3	15.875	5/8	9.65	13.28	10.16	5.08	14.7	4.1	52.8	16.59	66.7	82	2.7
**12B-3	12B-3	19.05	3/4	11.68	15.62	12.07	5.72	16.1	4.6	61.7	19.46	86.7	96.5	3.12
**16B-3	16B-3	25.4	1	17.02	25.4	15.88	8.28	21	5.4	99.9	31.88	160	231	7.5
20B-3	20B-3	31.75	1 1/4	19.56	29	19.05	10.19	26.4	6.1	116	36.45	250	315	10.6
24B-3	24B-3	38.1	1 1/2	25.4	37.9	25.4	14.63	33.4	6.6	150	48.36	425	520	20
28B-3	28B-3	44.45	1 3/4	30.99	46.5	27.94	15.9	37	7.4	184	59.56	530	640	25
32B-3	32B-3	50.8	2	30.99	45.5	29.21	17.81	42.2	7.9	184	58.55	670	800	32
40B-3	40B-3	63.5	2 1/2	38.1	55.7	39.37	22.89	52.9	10	227	72.29	950	1140	48.7
48B-3	48B-3	76.2	3	45.72	70.5	48.26	29.24	63.8	10	281	91.21	1500	1700	75

All dimensions in mm unless stated
 * with straight side plates
 Zinc or nickel plated chains on request
 (only 80% of the breaking load of standard chain)
 **Copperhead Easy Break chain as standard
 Please note : errors and omissions excepted.

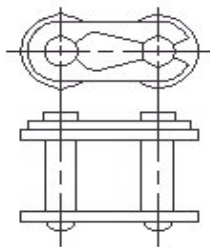




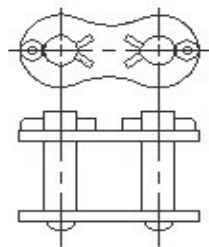
**Stainless Steel
Roller Chain British Standard
SIMPLEX
To DIN8187/8188**

Product Code	ISO DIN Code	Pitch (p)		b1 min	b2 max	d3 max	d1	h max	k	W1 max	Break load DIN kN min	Weight kg/m
		mm	inch									
05B-1SS	05B-1	8	-	3	4.77	5	2.31	7.1	3.1	8.6	4	0.18
06B-1SS	06B-1	9.525	3/8	5.72	8.53	6.35	3.28	8.2	3.3	13.5	7	0.41
081-1BSS	81	12.7	1/2	3.3	5.8	7.75	3.66	9.9	1.5	10.2	7	0.28
08NSS	-	12.7	1/2	4.88	7.2	7.75	3.66	9.9	1.5	11.2	7	0.33
08B-1SS	08B-1	12.7	1/2	7.75	11.3	8.51	4.45	11.8	3.9	17	12	0.7
10B-1SS	10B-1	15.88	5/8	9.65	13.28	10.16	5.08	14.7	4.1	19.6	14.5	0.91
12B-1SS	12B-1	19.05	3/4	11.68	15.62	12.07	5.72	16.1	4.6	22.7	18.5	1.18
16B-1SS	16B-1	25.4	1	17.02	25.4	15.88	8.28	21	5.4	36.1	40	2.5

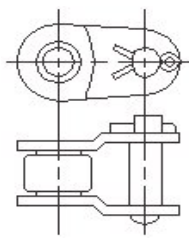
All dimensions in mm unless stated
Please note : errors and omissions excepted.



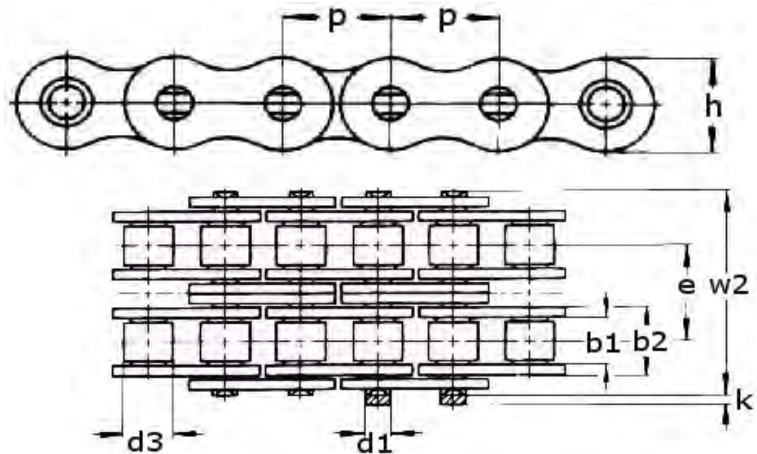
**/26
Spring Clip**



**/26
cotter pin link**



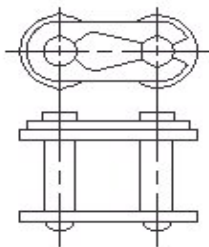
**/12
single crank link**



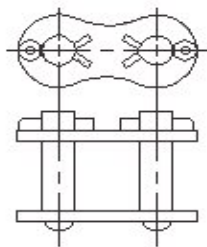
Stainless Steel
Roller Chain British Standard
DUPLEX
To DIN8187/8188

Product Code	ISO DIN Code	Pitch (p)		b1 min	b2 max	d3 max	d1	h max	k	w2 max	e	Break load DIN kN min	Weight kg/m
		mm	inch										
05B-2SS	05B-2	8	-	3	4.77	5	2.31	7.1	3.1	14.3	5.64	6	0.36
06B-2SS	06B-2	9.525	3/8	5.72	8.53	6.35	3.28	8.2	3.3	23.8	10.24	11.9	0.78
08B-2SS	08B-2	12.7	1/2	7.75	11.3	8.51	4.45	11.8	3.9	31	13.92	20.4	1.36
10B-2SS	10B-2	15.88	5/8	9.65	13.28	10.16	5.08	14.7	4.1	36.2	16.59	24.7	1.82
12B-2SS	12B-2	19.05	3/4	11.68	15.62	12.07	5.72	16.1	4.6	42.2	19.46	31.5	2.38
16B-2SS	16B-2	25.4	1	17.02	25.4	15.88	8.28	21	5.4	68	31.88	68	5.1

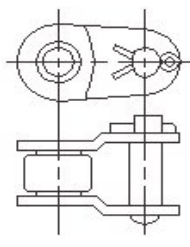
All dimensions in mm unless stated
 Please note : errors and omissions excepted.



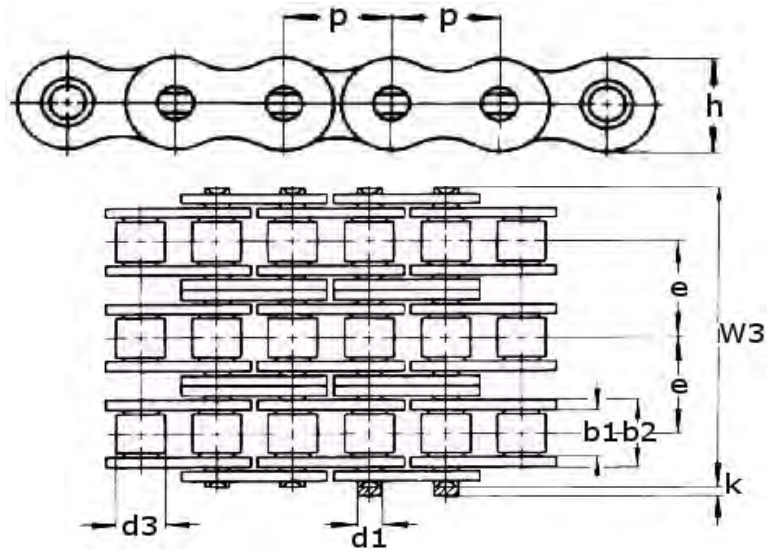
/26
Spring Clip



/26
cotter pin link



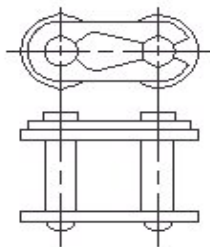
/12
single crank link



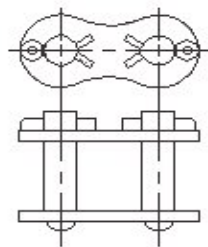
Stainless Steel
Roller Chain British Standard
TRIPLEX
To DIN8187/8188

Product Code	ISO DIN Code	Pitch (p)		b1 min	b2 max	d3 max	d1	h max	k	w3 max	e	Break load DIN kN min	Weight kg/m
		mm	inch										
06B-3SS	06B-3	9.525	3/8	5.72	8.53	6.35	3.28	8.2	3.3	34	10.24	9	1.18
08B-3SS	08B-3	12.7	1/2	7.75	11.3	8.51	4.45	11.8	3.9	44.9	13.92	30	2.01
10B-3SS	10B-3	15.88	5/8	9.65	13.28	10.16	5.08	14.7	4.1	52.8	16.59	36	2.7
12B-3SS	12B-3	19.05	3/4	11.68	15.62	12.07	5.72	16.1	4.6	61.7	19.46	47	3.14
16B-3SS	16B-3	25.4	1	17.02	25.4	15.88	8.28	21	5.4	99.9	31.88	102	7.8

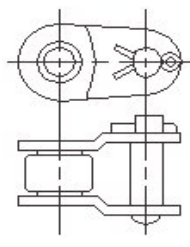
All dimensions in mm unless stated
 Please note : errors and omissions excepted.



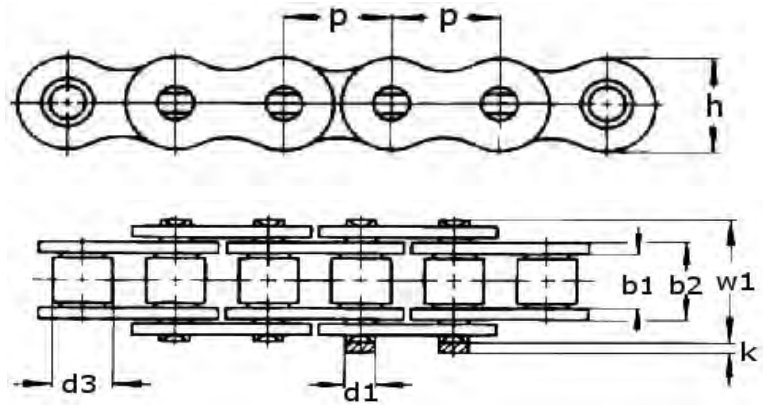
/26
Spring Clip



/26
cotter pin link



/12
single crank link



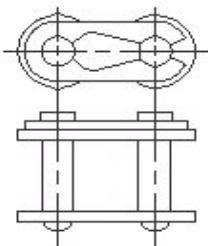
Roller Chain
American Standard
SIMPLEX
To DIN8188 (ISO 606-1982)

Product Code	ISO DIN Code	Pitch (p)		b1 min	b2 max	d3 max	d1	h max	k	W1 max	Break load		Weight kg/m
		mm	inch								DIN kN min	W kN median	
25-1	04C-1	6.35	1/4	3.18	4.8	3.3	2.31	6	2.5	9.1	3.5	3.5	0.13
35-1	06C-1	9.53	3/8	4.68	7.47	5.08	3.58	9.1	3.3	13.2	7.9	10.6	0.35
40-1	08A-1	12.7	1/2	7.85	11.15	7.95	3.96	12	3.9	17.8	14.1	17.8	0.6
41-1	85	12.7	1/2	6.38	9.07	7.77	3.58	9.9	2	14	6.8	12.3	0.38
50-1	10A-1	15.88	5/8	9.4	13.8	10.16	5.08	15	4.1	21.8	22.2	31.8	1.01
60-1	12A-1	19.05	3/4	12.57	17.7	11.91	5.94	18	4.6	26.9	31.8	44.6	1.58
80-1	16A-1	25.4	1	15.75	22.5	15.88	7.92	24.1	5.4	33.5	56.7	73.3	2.36
100-1	20A-1	31.75	1 1/4	18.9	27.4	19.05	9.53	30.1	6.1	41.1	88.5	106.4	3.8
120-1	24A-1	38.1	1 1/2	25.22	35.3	22.23	11.1	36.2	6.6	50.8	127	141	5.4
140-1	28A-1	44.45	1 3/4	25.22	37	25.4	12.7	42.2	7.4	54.9	172.4	181	7.3
160-1	32A-1	50.8	2	31.55	45	28.58	14.27	48.2	7.9	65.5	226.8	239.5	9.9
200-1	40A-1	63.5	2 1/2	37.85	54.7	39.68	19.84	60.3	10	80.3	353.8	387	16.5

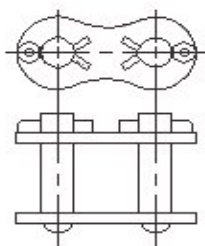
All dimensions in mm unless stated

*without rollers (DIN8154)

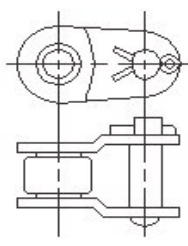
Please note : errors and omissions excepted.



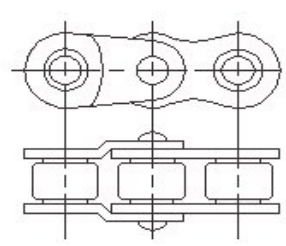
/26
Spring Clip



/26
cotter pin link



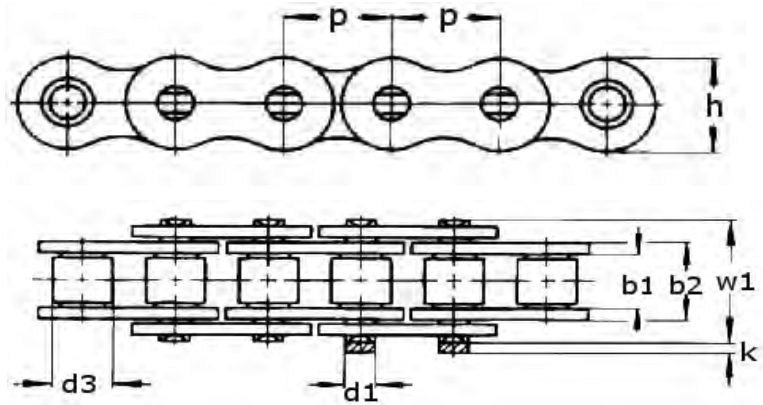
/12
single crank link



/30
double crank link



Roller Chain
American Standard
SIMPLEX
HEAVY DUTY
with stronger side plates
and increased bearing area
To DIN8188 (ISO 606-1982)

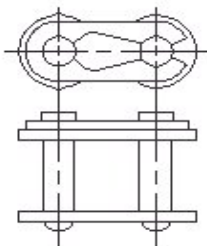


Product Code	ISO DIN Code	Pitch (p)		b1 min	b2 max	d3 max	d1	h max	k	W1 max	Break load		Weight kg/m
		mm	inch								DIN kN min	W kN median	
50H-1	10A-1	15.88	5/8	9.4	14.6	10.16	5.08	15	4.1	23.4	22.2	31.8	1.18
60H-1	12A-1	19.05	3/4	12.57	19.45	11.91	5.94	18	4.6	28.9	31.8	44.6	1.94
80H-1	16A-1	25.4	1	15.75	24.28	15.88	7.92	24.1	5.4	37	56.7	73.3	3.04
100H-1	20A-1	31.75	1 1/4	18.9	29.1	19.05	9.53	30.1	6.1	44	88.5	106.4	4.25
120H-1	24A-1	38.1	1 1/2	25.22	37.18	22.23	11.1	36.2	6.6	54	127	141	6.8
140H-1	28A-1	44.45	1 3/4	25.22	38.85	25.4	12.7	42.2	7.4	58	172.4	181	7.9
160H-1	32A-1	50.8	2	31.55	46.88	28.58	14.27	48.2	7.9	68	226.8	239.5	10.4
200H-1	40A-1	63.5	2 1/2	37.85	58.29	39.68	19.84	60.3	10	84	353.8	387	19.5

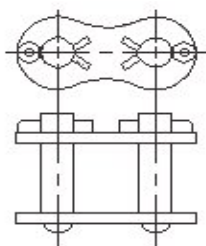
All dimensions in mm unless stated

*without rollers (DIN8154)

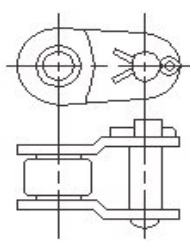
Please note : errors and omissions excepted.



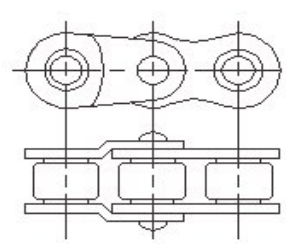
/26
Spring Clip



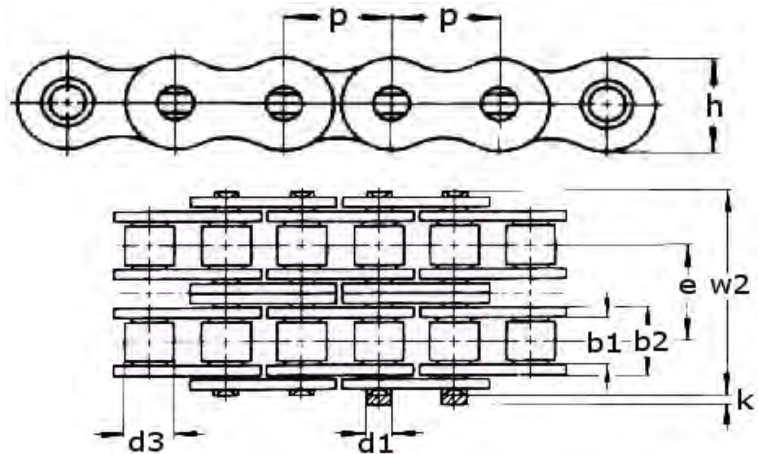
/26
cotter pin link



/12
single crank link



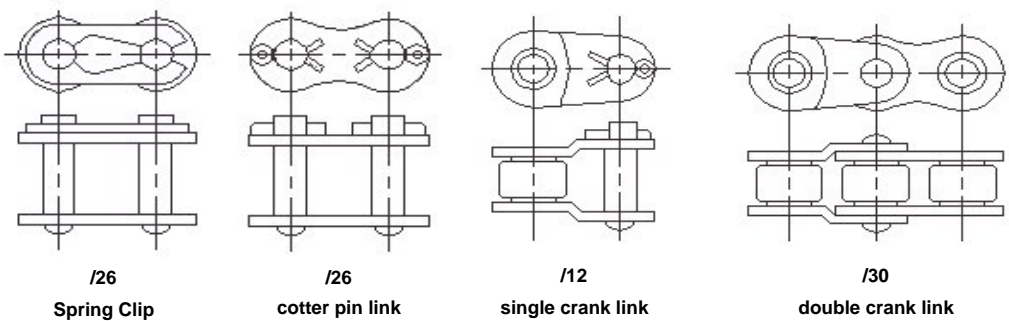
/30
double crank link



**Roller Chain
American Standard
DUPLEX
To DIN8188 (ISO 606-1982)**

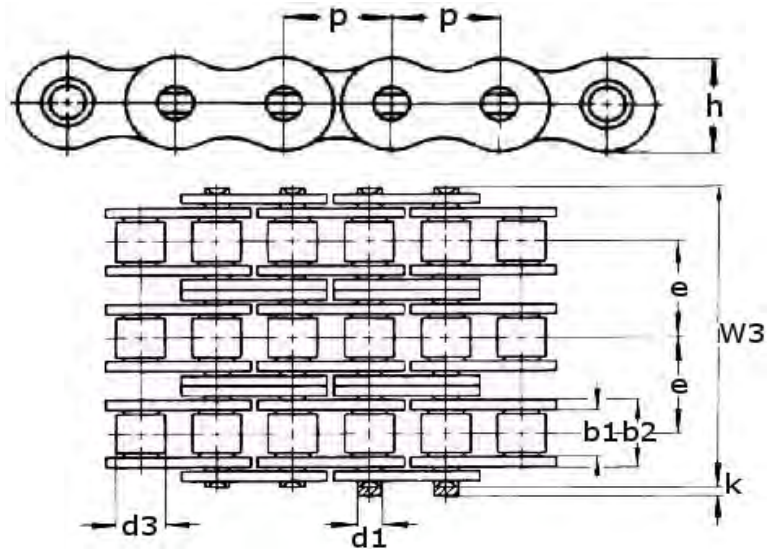
Product Code	ISO DIN Code	Pitch (p)		b1 min	b2 max	d3 max	d1	h max	k	W2 max	e	Break load		Weight kg/m
		mm	inch									DIN kN min	W kN median	
35-2*	06C-2	9.525	3/8	4.68	7.47	5.08	3.58	9	3.3	23.4	10.13	15.8	17.7	0.7
40-2	08A-2	12.7	1/2	7.85	11.15	7.95	3.96	12	3.9	32.3	14.38	28.2	32	1.2
50-2	10A-2	15.88	5/8	9.4	13.8	10.16	5.08	15	4.1	39.9	18.11	44.4	63.3	1.78
60-2	12A-2	19.05	3/4	12.57	17.7	11.91	5.94	18	4.6	49.8	22.78	63.6	90.5	3.15
80-2	16A-2	25.4	1	15.75	22.5	15.88	7.92	24.1	5.4	62.7	29.29	113.4	151	4.9
100-2	20A-2	31.75	1 1/4	18.9	27.4	19.05	9.53	30.1	6.1	77	35.76	177	217.5	7.6
120-2	24A-2	38.1	1 1/2	25.22	35.3	22.23	11.1	36.2	6.6	96.3	45.44	254	301.5	10.8
140-2	28A-2	44.45	1 3/4	25.22	37	25.4	12.7	42.2	7.4	103	48.87	344.8	363.8	14.3
160-2	32A-2	50.8	2	31.55	45	28.58	14.27	48.2	7.9	124	58.55	453.6	491.7	19.4
200-2	40A-2	63.5	2 1/2	37.85	54.7	39.68	19.84	60.3	10	151	71.55	707.6	735	33

All dimensions in mm unless stated
 *without rollers (DIN8154)
 Please note : errors and omissions excepted.



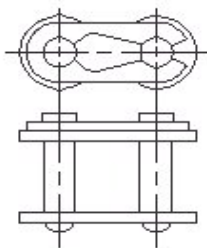


**Roller Chain
American Standard
TRIPLEX
To DIN8188
(ISO 606-1982)**

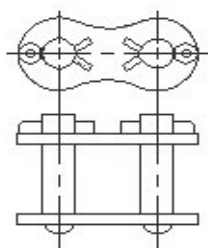


Product Code	ISO DIN Code	Pitch (p)		b1 min	b2 max	d3 max	d1	h max	W3 max	e	Break load		Weight kg/m
		mm	inch								DIN kN min	W kN median	
35-3W	06C-3*	9.53	3/8	4.68	7.47	5.08	3.58	9	33.5	10.13	23.7	26	1.05
40-3W	08A-3	12.7	1/2	7.85	11.15	7.95	3.96	12	46.7	14.38	42.3	46	1.8
50-3W	10A-3	15.9	5/8	9.4	13.8	10.16	5.08	15	57.9	18.11	66.6	89.5	3.02
60-3W	12A-3	19.1	3/4	12.57	17.7	11.91	5.94	18	72.6	22.78	95.4	113	4.7
80-3W	16A-3	25.4	1	15.75	22.5	15.88	7.92	24.1	91.7	29.29	170.1	227	7.5
100-3W	20A-3	31.8	1 1/4	18.9	27.4	19.05	9.53	30.1	113	35.76	265.5	315	11.2
120-3W	24A-3	38.1	1 1/2	25.22	35.3	22.23	11.1	36.2	141	45.44	381	420	16.1
140-3W	28A-3	44.5	1 3/4	25.22	37	25.4	12.7	42.2	152	48.87	517.2	520	21.4
160-3W	32A-3	50.8	2	31.55	45	28.58	14.27	48.2	182	58.55	680.4	700	29.1
200-3W	40A-3	63.5	2 1/2	37.85	54.7	39.68	19.84	60.3	223	71.55	1061.4	1100	50

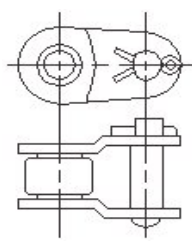
All dimensions in mm unless stated
 *without rollers (DIN8154)
 Please note : errors and omissions excepted.



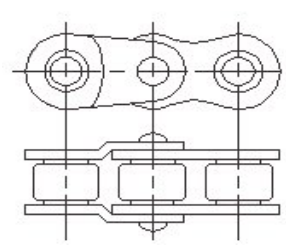
/26
Spring Clip



/26
cotter pin link



/12
single crank link



/30
double crank link



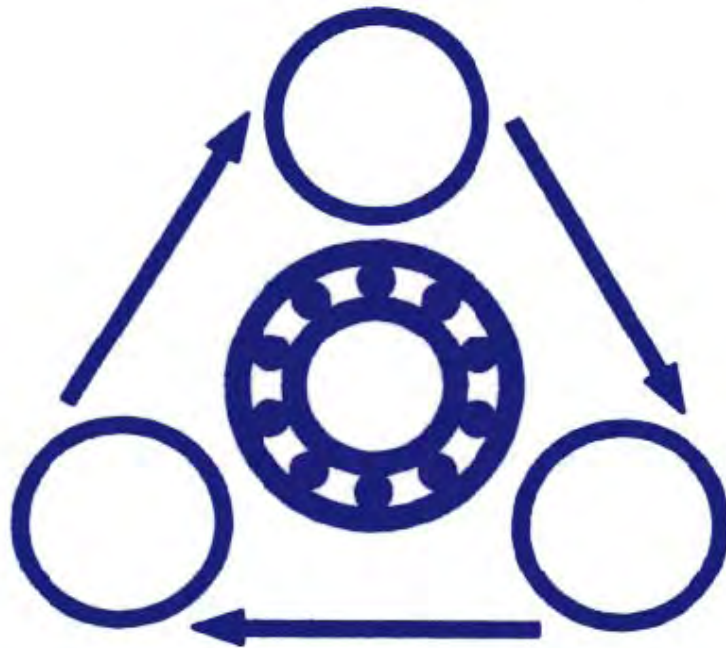
ASHLEY POWER



Notes

ASHLEY POWER LTD.
580-586 ASHLEY
ROAD
PARKSTONE
POOLE
DORSET, BH14 0AQ

ASHLEY POWER



**SPROCKETS
&
PLATEWHEELS
CATALOGUE**



ASHLEY POWER

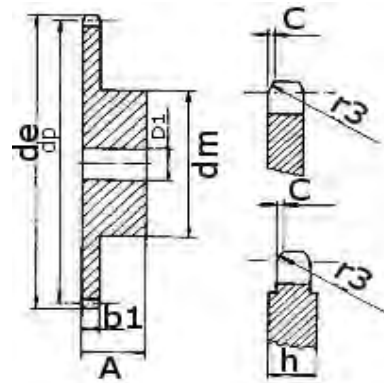


SPROCKETS & PLATEWHEELS





Sprockets British Standard 6mm x 2.8mm (041-1) Steel with hub



No. Teeth	Outside Dia. de	Pitch Dia. dp	dm	D1	A
8	18	15.67	9.8	5	10
9	19.9	17.54	11.5	5	10
10	21.7	19.42	13	6	10
11	23.6	21.3	14	6	10
12	25.4	23.18	16	6	10
13	27.3	25.05	18	8	10
14	29.2	26.96	20	8	10
15	31	28.86	20	8	10
16	33	30.76	20	8	13
17	35	32.65	20	8	13
18	36.9	34.55	20	8	13
19	38.8	36.44	20	8	13
20	40.7	38.34	20	8	13
21	42.6	40.25	25	8	13
22	44.5	42.16	25	8	13
23	46.4	44.06	25	8	13
24	48.3	45.96	25	8	13
25	50.2	47.87	25	8	13
26	52.1	49.76	30	8	15
27	54	51.67	30	8	15
28	55.9	53.58	30	8	15
29	57.8	55.5	30	8	15
30	59.8	57.42	30	8	15
31	61.7	59.31	30	8	15
32	63.6	61.21	30	8	15
33	65.5	63.11	30	8	15
34	67.4	65.02	30	8	15
35	69.3	66.93	30	8	15
36	71.2	68.84	30	8	15
37	73.1	70.75	30	8	15
38	75	72.66	30	8	15
39	76.9	74.57	30	8	15
40	78.9	76.47	30	8	15
45	88.5	86.01	40	10	16
50	98	95.55	50	12	20
57	111.4	108.93	50	12	20
76	147.6	145.19	60	12	20

for 57 and 76 teeth
dimension 'h' = 4mm

Tooth Radius $r_3 = 6$

Radius size C = 0.7

Tooth width $B_1 = 2.6$

All dimensions in mm

Intermediate sizes & special sprockets to drawing up to 1000mm diameter

Standard : to DIN 8187 ISO/R 606

Please note : All dimensions including bore sizes subject to change.

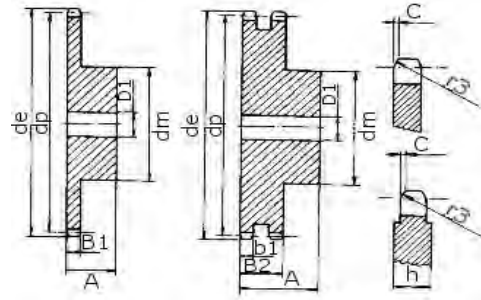
If a dimension is critical to your application please contact our sales department for confirmation.

For special sprockets or reworked sprockets please contact our sales department.

Please note : errors and omissions excepted



**Sprockets British Standard
8mm x 3mm (05B)
Steel with hub**



No. Teeth	Outside Dia. de	Pitch Dia. dp	Simplex			Duplex		
			dm	D ₁	A	dm	D ₁	A
8	24	20.9	13	6	12	12	8	18
9	26.6	23.39	15	6	12	15	8	18
10	29.2	25.89	17	8	12	17	8	18
11	31.7	28.39	18	8	13	19	10	18
12	34.2	30.91	20	8	13	21	10	18
13	36.7	33.42	23	8	13	24	10	18
14	39.2	35.95	25	8	13	26	10	18
15	41.7	38.48	28	8	13	29	10	18
16	44.3	41.01	30	8	14	32	10	20
17	46.8	43.53	30	8	14	34	10	20
18	49.3	46.07	30	8	14	37	10	20
19	51.9	48.61	30	8	14	39	10	20
20	54.4	51.14	30	8	14	40	10	20
21	57	53.68	35	8	14	40	10	20
22	59.5	56.21	35	8	14	40	10	20
23	62	58.75	35	8	14	40	10	20
24	64.6	61.29	35	8	14	40	10	20
25	67.5	63.83	35	8	14	40	10	20
28	69.5	66.37	40	10	16	50	12	22
27	72.2	68.91	40	10	16	50	12	22
28	74.8	71.45	40	10	16	50	12	22
29	77.3	73.99	40	10	16	50	12	22
30	79.8	76.53	40	10	16	50	12	22
31	82.4	79.08	40	10	16	60	12	22
32	84.9	81.61	40	10	16	60	12	22
33	87.5	84.16	40	10	16	60	12	22
34	90	86.7	40	10	16	60	12	22
35	92.5	89.25	40	10	16	60	12	22
36	95	91.79	40	10	16	60	12	22
37	97.6	94.33	40	10	16	60	12	22
38	100.2	96.88	40	10	16	60	12	22
39	102.7	99.42	40	10	16	60	12	22
40	105.3	101.97	40	10	16	60	12	22
45	118	114.69	60	12	20	-	-	-
50	130.7	127.41	60	12	20	-	-	-
57	148.6	145.22	80	14	20	-	-	-
76	197.7	193.59	80	20	25	-	-	-

for 57 and 76 teeth
dimension 'h' = 4mm

Tooth Radius r₃ = 8

Radius size C = 1.0

Tooth width B₁ = 2.8

Tooth width b₁ = 2.7

Tooth width B₂ = 8.3

All dimensions in mm

Intermediate sizes & special sprockets to drawing up to 1000mm diameter

Standard : to DIN 8187 ISO/R 606

Please note : All dimensions including bore sizes subject to change.

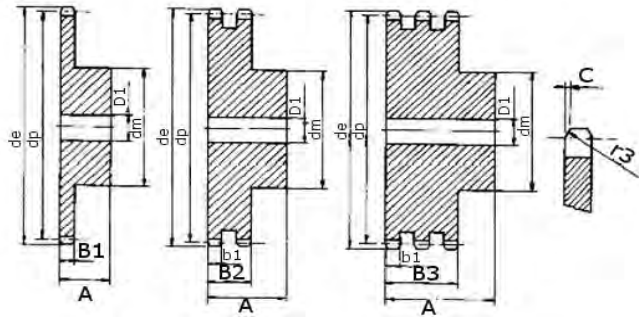
If a dimension is critical to your application please contact our sales department for confirmation.

For special sprockets or reworked sprockets please contact our sales department.

Please note : errors and omissions excepted



Sprockets British Standard 3/8" x 7/32" (06B) Steel with hub



No. Teeth	Outside Dia. de	Pitch Dia. dp	Simplex			Duplex			Triplex		
			dm	D1	A	dm	D1	A	dm	D1	A
8	28	24.89	15	6	22	15	6	22	15	6	32
9	31	27.85	18	8	22	18	8	22	18	8	32
10	34	30.82	20	8	22	20	8	22	20	10	32
11	37	33.8	22	8	25	22	10	25	22	10	35
12	40	36.8	25	8	25	25	10	25	25	10	35
13	43	39.79	28	10	25	28	10	25	28	10	35
14	46.3	42.8	31	10	25	31	10	25	31	12	35
15	49.3	45.81	34	10	25	34	10	25	34	12	35
16	52.3	48.82	37	10	28	37	12	30	37	12	35
17	55.3	51.83	40	10	28	40	12	30	40	12	35
18	58.3	54.85	43	10	28	43	12	30	43	12	35
19	61.3	57.87	45	10	28	46	12	30	46	12	35
20	64.3	60.89	46	10	28	49	12	30	49	12	35
21	68	63.91	48	12	28	52	12	30	52	14	40
22	71	66.93	50	12	28	55	12	30	55	14	40
23	73.5	69.95	52	12	28	58	12	30	58	14	40
24	77	72.97	54	12	28	61	12	30	61	14	40
25	80	76	57	12	28	64	12	30	64	14	40
26	83	79.02	60	12	28	67	12	30	67	14	40
27	86	82.05	60	12	28	70	12	30	70	14	40
28	89	85.07	60	12	28	73	12	30	73	14	40
29	92	88.09	60	12	28	76	12	30	76	14	40
30	94.7	91.12	60	12	30	79	12	30	79	14	40
31	98.3	94.15	65	14	30	80	16	30	80	16	40
32	101.3	97.17	65	14	30	80	16	30	80	16	40
33	104.3	100.2	65	14	30	80	16	30	80	16	40
34	107.3	103.23	65	14	30	80	16	30	85	16	40
35	110.4	106.26	65	14	30	80	16	30	85	16	40
36	113.4	109.29	70	16	30	90	16	30	90	16	40
37	116.4	112.32	70	16	30	90	16	30	90	16	40
38	119.5	115.35	70	16	30	90	16	30	90	16	40
39	122.5	118.37	70	16	30	90	16	30	90	16	40
40	125.5	121.4	70	16	30	90	16	30	90	16	40
50	155.7	151.69	70	16	30	-	-	-	-	-	-
57	176.9	172.91	70	16	30	80	16	30	-	-	-
76	234.9	230.49	80	20	30	-	-	-	-	-	-

Tooth Radius $r_3 = 10$
 Radius size C = 1.0
 Tooth width $B_1 = 5.3$
 Tooth width $b_1 = 5.2$
 Tooth width $B_2 = 15.4$
 Tooth width $B_3 = 25.6$

All dimensions in mm

Intermediate sizes & special sprockets to drawing up to 1000mm diameter

Standard : to DIN 8187 ISO/R 606

Please note : All dimensions including bore sizes subject to change.

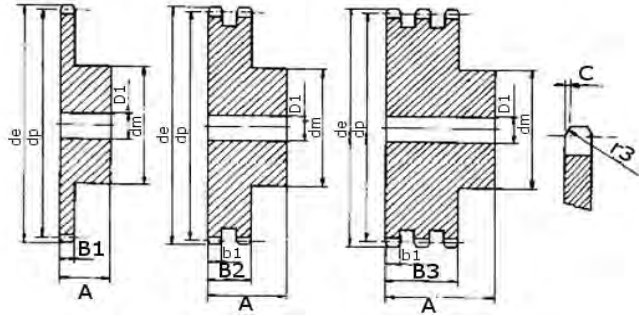
If a dimension is critical to your application please contact our sales department for confirmation.

For special sprockets or reworked sprockets please contact our sales department.

Please note : errors and omissions excepted



**Sprockets British Standard
1/2" x 5/16" (08B)
Steel with hub**



No. Teeth	Outside Dia. de	Pitch Dia. dp	Simplex			Duplex			Triplex		
			dm	D1	A	dm	D1	A	dm	D1	A
8	37.2	33.18	20	10	25	20	10	32	20	10	46
9	41	37.13	24	10	25	24	10	32	24	12	46
10	45.2	41.1	26	10	25	28	10	32	28	12	46
11	48.7	45.07	29	10	25	32	12	35	32	14	50
12	53	49.07	33	10	28	35	12	35	35	14	50
13	57.4	53.06	37	10	28	38	12	35	38	14	50
14	61.8	57.07	41	10	28	42	12	35	42	14	50
15	65.5	61.09	45	10	28	46	12	35	46	14	50
16	69.5	65.1	50	12	28	50	14	35	50	16	50
17	73.6	69.11	52	12	28	54	14	35	54	16	50
18	77.8	73.14	56	12	28	58	14	35	58	16	50
19	81.7	77.16	60	12	28	62	14	35	62	16	50
20	85.8	81.19	64	12	28	66	14	35	66	16	50
21	89.7	85.22	68	12	28	70	16	40	70	20	55
22	93.8	89.24	70	12	28	70	16	40	70	20	55
23	98.2	93.27	70	14	28	70	16	40	70	20	55
24	101.8	97.29	70	14	28	75	16	40	75	20	55
25	105.8	101.33	70	14	28	80	16	40	80	20	55
26	110	105.36	70	16	30	85	20	40	85	20	55
27	114	109.4	70	16	30	85	20	40	85	20	55
28	118	113.42	70	16	30	90	20	40	90	20	55
29	122	117.46	80	16	30	95	20	40	95	20	55
30	126.1	121.5	80	16	30	100	20	40	100	20	55
31	130.2	125.54	90	16	30	100	20	40	110	20	55
32	134.3	129.56	90	16	30	100	20	40	110	20	55
33	138.4	133.6	90	16	30	100	20	40	110	20	55
34	142.6	137.64	90	16	30	100	20	40	110	20	55
35	146.7	141.68	90	16	30	100	20	40	110	20	55
36	151	145.72	90	16	35	110	20	40	120	25	55
37	154.6	149.76	90	16	35	110	20	40	120	25	55
38	158.6	153.8	90	16	35	110	20	40	120	25	55
39	162.7	157.83	90	16	35	110	20	40	120	25	55
40	166.8	161.87	90	16	35	110	20	40	120	25	55
45	140.7	136.55	70	19	35	-	-	-	-	-	-
57	176.9	172.91	-	-	-	70	19	40	-	-	-
60	248.6	242.66	70	19	35	-	-	-	-	-	-
64	265.1	258.82	70	19	35	-	-	-	-	-	-

Tooth Radius r3 = 13
 Radius size C = 1.3
 Tooth width B1 = 7.2
 Tooth width b1 = 7.0
 Tooth width B2 = 21.0
 Tooth width B3 = 34.9

All dimensions in mm

Intermediate sizes & special sprockets to drawing up to 1000mm diameter

Standard : to DIN 8187 ISO/R 606

Please note : All dimensions including bore sizes subject to change.

If a dimension is critical to your application please contact our sales department for confirmation.

For special sprockets or reworked sprockets please contact our sales department.

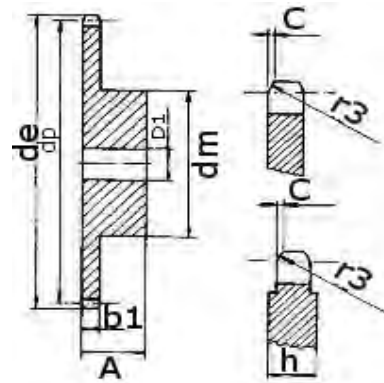
Please note : errors and omissions excepted



Sprockets British Standard

1/2" x 1/8" (081-1)

Steel with hub



No. Teeth	Outside Diam. de	Pitch Dia. dp	Boss Dia. dm	D1	Overall Width
8	37.2	33.18	21	8	14
9	41.5	37.13	25	8	14
10	46.2	41.1	28	8	14
11	49.6	45.07	31	8	16
12	53.9	49.07	35	8	16
13	58.4	53.06	39	8	16
14	62.8	57.07	43	8	16
15	66.8	61.09	47	8	16
16	70.9	65.1	50	10	18
17	74.9	69.11	50	10	18
18	78.9	73.14	50	10	18
19	82.9	77.16	50	10	18
20	86.9	81.19	50	10	18
21	91	85.22	60	12	20
22	95	89.24	60	12	20
23	99	93.27	60	12	20
24	103	97.29	60	12	20
25	107.1	101.33	60	12	20
26	111.2	105.36	70	16	20
27	115.4	109.4	70	16	20
28	119.4	113.42	70	16	20
29	123.4	117.46	70	16	20
30	127.5	121.5	70	16	20
31	131.5	125.54	70	16	20
32	135.5	129.56	70	16	20
33	139.6	133.6	70	16	20
34	143.6	137.64	70	16	20
35	147.6	141.68	70	16	20
36	151.7	145.72	70	16	25
37	155.7	149.76	70	16	25
38	159.8	153.8	70	16	25
39	163.8	157.83	70	16	25
40	167.8	161.87	70	16	25

from 31 teeth dimension
h = 5mm

Tooth Radius $r_3 = 13$

Radius size C = 1.0

Tooth width $b_1 = 3.0$

All dimensions in mm

Intermediate sizes & special sprockets to drawing up to 1000mm diameter

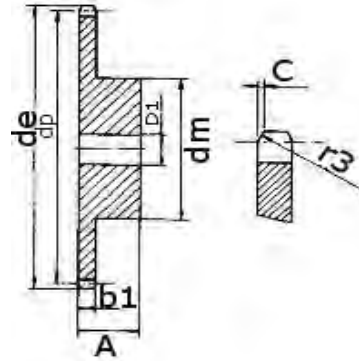
Standard : to DIN 8187 ISO/R 606

Please note : All dimensions including bore sizes subject to change.

If a dimension is critical to your application please contact our sales department for confirmation.

For special sprockets or reworked sprockets please contact our sales department.

Please note : errors and omissions excepted

**Sprockets British Standard****1/2" x 3/16"****Steel with hub**

No. Teeth	Outside Dia. de	Pitch Dia. dp	Boss Dia. dm	D1	Overall Width
8	38.5	33.18	21	8	14
9	41.5	37.13	25	8	14
10	46.2	41.1	28	8	14
11	49.6	45.07	31	8	16
12	53.9	49.07	35	8	16
13	58.4	53.06	39	8	16
14	62.8	57.07	43	8	16
15	66.8	61.09	47	8	16
16	70.9	65.1	50	10	18
17	74.9	69.11	50	10	18
18	78.9	73.14	50	10	18
19	82.9	77.16	50	10	18
20	88.9	81.19	50	10	18
21	91	85.22	60	12	20
22	95	89.24	60	12	20
23	99	93.27	60	12	20
24	103	97.29	60	12	20
25	107.1	101.33	60	12	20
26	111.2	105.36	70	16	20
27	115.4	109.4	70	16	20
28	119.4	113.42	70	16	20
29	123.4	117.46	70	16	20
30	127.5	121.5	70	16	20
31	131.5	125.54	70	16	20
32	135.5	129.56	70	16	20
33	139.6	133.6	70	16	20
34	143.6	137.64	70	16	20
35	147.6	141.68	70	16	20
36	151.7	145.72	70	16	25
37	155.7	149.76	70	16	25
38	159.8	153.8	70	16	25
39	163.8	157.83	70	16	25
40	167.8	161.87	70	16	25

Tooth Radius $r_3 = 13$

Radius size C = 1.3

Tooth width $b_1 = 4.5$

All dimensions in mm

Intermediate sizes & special sprockets to drawing up to 1000mm diameter

Standard : to DIN 8187 ISO/R 606

Please note : All dimensions including bore sizes subject to change.

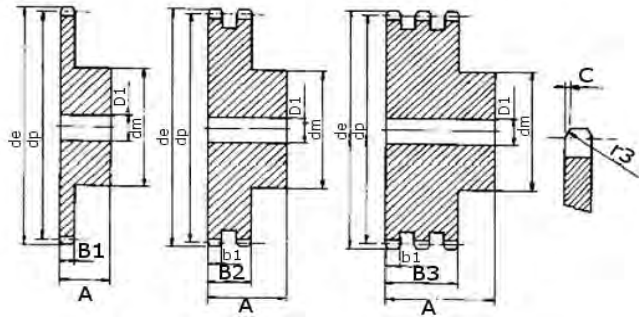
If a dimension is critical to your application please contact our sales department for confirmation.

For special sprockets or reworked sprockets please contact our sales department.

Please note : errors and omissions excepted



**Sprockets British Standard
5/8" x 3/8" (10B)
Steel with hub**



No. Teeth	Outside Dia. de	Pitch Dia. dp	Simplex			Duplex			Triplex		
			dm	D1	A	dm	D1	A	dm	D1	A
8	47	41.48	25	10	25	25	12	40	25	12	55
9	52.6	46.42	30	10	25	30	12	40	30	12	55
10	57.5	51.37	35	10	25	35	12	40	35	16	55
11	63	56.34	37	12	30	39	14	40	39	16	55
12	68	61.34	42	12	30	44	14	40	44	16	55
13	73	66.32	47	12	30	49	14	40	49	16	55
14	78	71.34	52	12	30	54	14	40	54	16	55
15	83	76.36	57	12	30	59	14	40	59	16	55
16	88	81.37	60	12	30	64	16	45	64	16	60
17	93	86.39	60	12	30	69	16	45	69	16	60
18	98.3	91.42	70	14	30	74	16	45	74	16	60
19	103.3	96.45	70	14	30	79	16	45	79	16	60
20	108.4	101.49	75	14	30	84	16	45	84	16	60
21	113.4	106.52	75	16	30	85	16	45	85	20	60
22	118	111.55	80	16	30	90	16	45	90	20	60
23	123.4	116.58	80	16	30	95	16	45	95	20	60
24	128.3	121.62	80	16	30	100	16	45	100	20	60
25	134	126.66	80	16	30	105	16	45	105	20	60
26	139	131.7	85	20	35	110	20	45	110	20	60
27	144	136.75	85	20	35	110	20	45	110	20	60
28	148.7	141.78	90	20	35	115	20	45	115	20	60
29	153.8	146.83	90	20	35	115	20	45	115	20	60
30	158.8	151.87	90	20	35	120	20	45	120	20	60
31	163.9	156.92	95	20	35	120	20	45	120	20	60
32	168.9	161.95	95	20	35	120	20	45	120	20	60
33	174.5	167	95	20	35	120	20	45	120	20	60
34	179	172.05	95	20	35	120	20	45	120	20	60
35	184.1	177.1	95	20	35	120	20	45	120	20	60
36	189.1	182.15	100	20	35	120	20	45	120	25	60
37	194.2	187.2	100	20	35	120	20	45	120	25	60
38	199.2	192.24	100	20	35	120	20	45	120	25	60
39	204.2	197.29	100	20	35	120	20	45	120	25	60
40	209.3	202.34	100	20	35	120	20	45	120	25	60
57	296	288.18	-	-	-	100	29	45	-	-	-
60	310.8	303.32	90	23	35	-	-	-	-	-	-

Tooth Radius $r_3 = 16$
 Radius size C = 1.6
 Tooth width $B_1 = 9.1$
 Tooth width $b_1 = 9.0$
 Tooth width $B_2 = 25.5$
 Tooth width $B_3 = 42.1$

All dimensions in mm

Intermediate sizes & special sprockets to drawing up to 1000mm diameter

Standard : to DIN 8187 ISO/R 606

Please note : All dimensions including bore sizes subject to change.

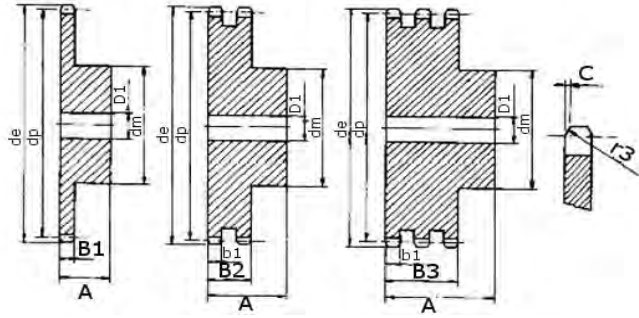
If a dimension is critical to your application please contact our sales department for confirmation.

For special sprockets or reworked sprockets please contact our sales department.

Please note : errors and omissions excepted



**Sprockets British Standard
3/4" x 7/16" (12B)
Steel with hub**



No. Teeth	Outside Dia. de	Pitch Dia. dp	Simplex			Duplex			Triplex		
			dm	D1	A	dm	D1	A	dm	D1	A
8	57.6	49.78	31	12	30	31	12	45	31	16	65
9	62	55.7	37	12	30	37	12	45	37	16	65
10	69	61.64	42	12	30	42	12	45	42	16	65
11	75	67.61	46	14	35	47	16	50	47	20	70
12	81.5	73.61	52	14	35	53	16	50	53	20	70
13	87.5	79.59	58	14	35	59	16	50	59	20	70
14	93.6	85.61	64	14	35	65	16	50	65	20	70
15	99.8	91.63	70	14	35	71	16	50	71	20	70
16	105.5	97.65	75	16	35	77	20	50	77	20	70
17	111.5	103.67	80	16	35	83	20	50	83	20	70
18	118	109.71	80	16	35	89	20	50	89	20	70
19	124.2	115.75	80	16	35	95	20	50	95	20	70
20	129.7	121.78	80	16	35	100	20	50	100	20	70
21	136	127.82	90	20	40	100	20	50	100	20	70
22	141.8	133.86	90	20	40	100	20	50	100	20	70
23	149	139.9	90	20	40	110	20	50	110	20	70
24	153.9	145.94	90	20	40	110	20	50	110	20	70
25	160	152	90	20	40	120	20	50	120	20	70
26	165.9	158.04	95	20	40	120	20	50	120	20	70
27	172.3	164.09	95	20	40	120	20	50	120	20	70
28	178	170.13	95	20	40	120	20	50	120	20	70
29	184.1	176.19	95	20	40	120	20	50	120	20	70
30	190.5	182.25	95	20	40	120	20	50	120	20	70
31	196.3	188.31	100	20	40	130	20	50	130	25	70
32	203.3	194.35	100	20	40	130	20	50	130	25	70
33	209.3	200.4	100	20	40	130	20	50	130	25	70
34	214.6	206.46	100	20	40	130	20	50	130	25	70
35	221	212.52	100	20	40	130	20	50	130	25	70
36	226.8	218.58	100	20	40	130	25	50	130	25	70
37	232.9	224.64	100	20	40	130	25	50	130	25	70
38	239	230.69	100	20	40	130	25	50	130	25	70
39	245.1	236.75	100	20	40	130	25	50	130	25	70
40	251.3	242.81	100	20	40	130	25	50	130	25	70
57	354	345.81	100	29	40	120	29	50	-	-	-

Tooth Radius $r_3 = 19$
 Radius size C = 2
 Tooth width $B_1 = 11.1$
 Tooth width $b_1 = 10.8$
 Tooth width $B_2 = 30.3$
 Tooth width $B_3 = 49.8$

All dimensions in mm

Intermediate sizes & special sprockets to drawing up to 1000mm diameter

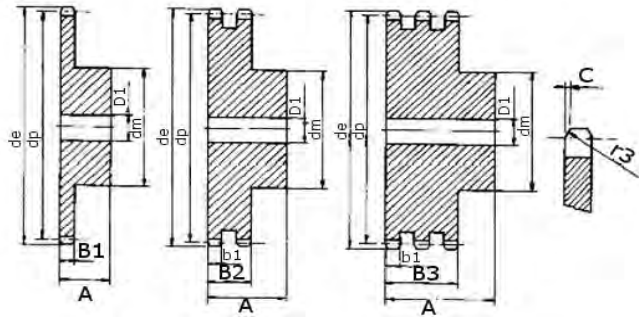
Standard : to DIN 8187 ISO/R 606

Please note : All dimensions including bore sizes subject to change.

If a dimension is critical to your application please contact our sales department for confirmation.

For special sprockets or reworked sprockets please contact our sales department.

Please note : errors and omissions excepted



Sprockets British Standard

1" x 17.02mm (16B)

Steel with hub

No. Teeth	Outside Dia. de	Pitch Dia. dp	Simplex			Duplex			Triplex		
			dm	D1	A	dm	D1	A	dm	D1	A
8	77	66.37	42	16	35	42	16	65	42	20	95
9	85	74.27	50	16	35	50	16	65	50	20	95
10	93	82.19	55	16	35	56	16	65	56	20	95
11	99.5	90.14	61	16	40	64	20	70	64	25	100
12	109	98.14	69	16	40	72	20	70	72	25	100
13	117	106.12	78	16	40	80	20	70	80	25	100
14	125	114.15	84	16	40	88	20	70	88	25	100
15	133	122.17	92	16	40	96	20	70	96	25	100
16	141	130.2	100	20	45	104	20	70	104	30	100
17	149	138.22	100	20	45	112	20	70	112	30	100
18	157	146.28	100	20	45	120	20	70	120	30	100
19	165.2	154.33	100	20	45	128	20	70	128	30	100
20	173.2	162.38	100	20	45	130	20	70	130	30	100
21	181.2	170.43	110	20	50	130	25	70	130	30	100
22	189.3	178.48	110	20	50	130	25	70	130	30	100
23	197.5	186.53	110	20	50	130	25	70	130	30	100
24	205.5	194.59	110	20	50	130	25	70	130	30	100
25	213.5	202.66	110	20	50	130	25	70	130	30	100
26	221.6	210.72	120	20	50	130	25	70	130	30	100
27	229.6	218.79	120	20	50	130	25	70	130	30	100
28	237.7	226.85	120	20	50	130	25	70	130	30	100
29	245.8	234.92	120	20	50	130	25	70	130	30	100
30	254	243	120	20	50	130	25	70	130	30	100
31	262	251.08	120	25	50	140	25	70	140	30	100
32	270	259.13	120	25	50	140	25	70	140	30	100
33	278.5	267.21	120	25	50	140	25	70	140	30	100
34	287	275.28	120	25	50	140	25	70	140	30	100
35	296.2	283.36	120	25	50	140	25	70	140	30	100
36	304.6	291.44	120	25	50	140	25	70	140	30	100
37	312.6	299.51	120	25	50	140	25	70	140	30	100
38	320.7	307.59	120	25	50	140	25	70	140	30	100
39	328.8	315.67	120	25	50	140	25	70	140	30	100
40	336.9	323.75	120	25	50	140	25	70	140	30	100

Tooth Radius $r_3 = 26$

Radius size C = 2.5

Tooth width $B_1 = 16.2$

Tooth width $b_1 = 15.8$

Tooth width $B_2 = 47.7$

Tooth width $B_3 = 79.6$

All dimensions in mm

Intermediate sizes & special sprockets to drawing up to 1000mm diameter

Standard : to DIN 8187 ISO/R 606

Please note : All dimensions including bore sizes subject to change.

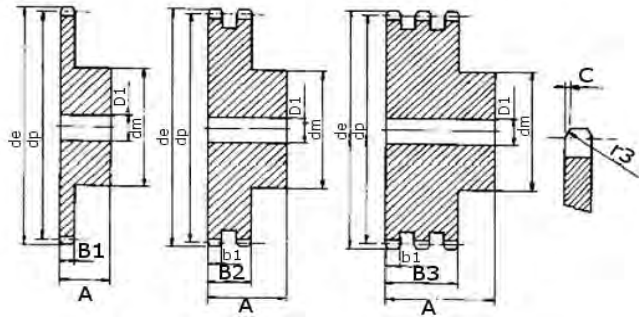
If a dimension is critical to your application please contact our sales department for confirmation.

For special sprockets or reworked sprockets please contact our sales department.

Please note : errors and omissions excepted



**Sprockets British Standard
1 1/4" x 3/4" (20B)
Steel with hub**



No. Teeth	Outside Dia. de	Pitch Dia. dp	Simplex			Duplex			Triplex		
			dm	D1	A	dm	D1	A	dm	D1	A
8	98.1	82.96	53	20	40	53	20	75	53	20	110
9	108	92.84	63	20	40	63	20	75	63	20	110
10	117.9	102.74	70	20	40	70	20	75	70	20	110
11	127.8	112.68	77	20	45	80	20	80	80	20	115
12	137.8	122.68	88	20	45	90	20	80	90	20	115
13	147.8	132.65	98	20	45	100	20	80	100	20	115
14	157.8	142.68	108	20	45	110	20	80	110	20	115
15	167.9	152.72	118	20	45	120	20	80	120	20	115
16	177.9	162.75	120	25	50	120	25	80	120	25	115
17	187.9	172.78	120	25	50	120	25	80	120	25	115
18	198	182.85	120	25	50	120	25	80	120	25	115
19	208.1	192.91	120	25	50	120	25	80	120	25	115
20	218.1	202.98	120	25	50	120	25	80	120	25	115
21	228.2	213.04	140	25	55	140	25	80	140	25	115
22	238.3	223.11	140	25	55	140	25	80	140	25	115
23	248.3	233.17	140	25	55	140	25	80	140	25	115
24	258.4	243.23	140	25	55	140	25	80	140	25	115
25	268.5	253.33	140	25	55	140	25	80	140	25	115
26	278.6	263.4	150	25	55	150	25	80	150	25	115
27	288.6	273.49	150	25	55	150	25	80	150	25	115
28	298.7	283.56	150	25	55	150	25	80	150	25	115
29	308.8	293.65	150	25	55	150	25	80	150	25	115
30	318.9	303.75	150	25	55	150	25	80	150	25	115
31	329	313.85	160	25	55	150	25	80	150	30	115
32	339.1	323.91	160	25	55	150	25	80	150	30	115
33	349.2	334.01	160	25	55	150	25	80	150	30	115
34	359.3	344.1	160	25	55	150	25	80	150	30	115
35	369.4	354.2	160	25	55	150	25	80	150	30	115
36	379.5	364.3	160	25	55	150	30	80	150	30	115
37	389.5	374.39	160	25	55	150	30	80	150	30	115
38	399.6	384.49	160	25	55	150	30	80	150	30	115
39	409.7	394.59	160	25	55	150	30	80	150	30	115
40	419.8	404.69	160	25	55	150	30	80	150	30	115

Tooth Radius r3 = 32
 Radius size C = 3.5
 Tooth width B1 = 18.5
 Tooth width b1 = 18.2
 Tooth width B2 = 54.6
 Tooth width B3 = 91

All dimensions in mm

Intermediate sizes & special sprockets to drawing up to 1000mm diameter

Standard : to DIN 8187 ISO/R 606

Please note : All dimensions including bore sizes subject to change.

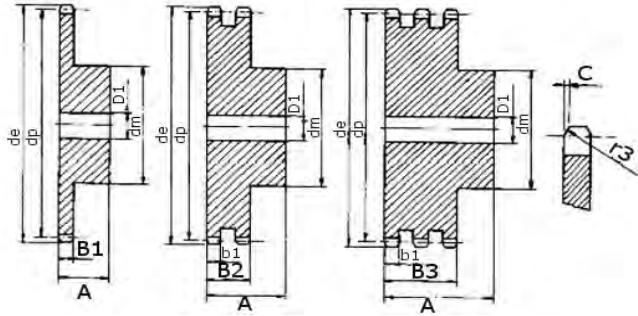
If a dimension is critical to your application please contact our sales department for confirmation.

For special sprockets or reworked sprockets please contact our sales department.

Please note : errors and omissions excepted



**Sprockets British Standard
1 1/2" x 1" (24B)
Steel with hub**



No. Teeth	Outside Dia. de	Pitch Dia. dp	Simplex			Duplex			Triplex		
			dm	D1	A	dm	D1	A	dm	D1	A
8	115	99.55	58	20	45	58	25	95	58	25	140
9	126.4	111.4	70	20	45	70	25	95	70	25	140
10	138	123.29	80	20	45	80	25	95	80	25	140
11	150	135.21	90	25	50	90	25	100	90	25	150
12	162	147.22	102	25	50	102	25	100	102	25	150
13	174.2	159.18	114	25	50	114	25	100	114	25	150
14	186.2	171.22	128	25	50	128	25	100	128	25	150
15	198.2	183.26	140	25	50	140	25	100	140	25	150
16	210.3	195.3	140	25	55	140	25	100	140	25	150
17	222.3	207.34	140	25	55	150	25	100	150	25	150
18	234.3	219.42	140	25	55	160	25	100	160	25	150
19	246.5	231.49	140	25	55	160	25	100	160	25	150
20	258.6	243.57	140	25	55	160	25	100	160	25	150
21	270.6	255.65	150	25	60	160	25	100	160	30	150
22	282.7	267.73	150	25	60	160	25	100	160	30	150
23	294.8	279.8	150	25	60	160	25	100	160	30	150
24	306.8	291.88	150	25	60	160	25	100	160	30	150
25	319	304	150	25	60	160	25	100	160	30	150
26	331	316.08	160	30	60	160	30	100	160	30	150
27	343.2	328.19	160	30	60	160	30	100	160	30	150
28	355.2	340.27	160	30	60	160	30	100	160	30	150
29	367.3	352.38	160	30	60	160	30	100	160	30	150
30	379.5	364.5	160	30	60	160	30	100	160	40	150
31	391.6	376.62	160	30	60	170	30	100	-	-	-
32	403.7	388.69	160	30	60	170	30	100	170	40	150
33	415.8	400.81	160	30	60	170	30	100	170	40	150
34	427.8	412.93	160	30	60	170	30	100	170	40	150
35	440	425.04	160	30	60	170	30	100	170	40	150
36	452	437.16	160	30	60	170	30	100	170	40	150
37	464.2	449.27	160	30	60	170	30	100	-	-	-
38	476.2	461.39	160	30	60	170	30	100	170	40	150
39	488.5	473.5	160	30	60	170	30	100	-	-	-
40	500.6	485.62	160	30	60	170	30	100	170	40	150

Tooth Radius $r_3 = 38$
 Radius size C = 4
 Tooth width $B_1 = 24.1$
 Tooth width $b_1 = 23.6$
 Tooth width $B_2 = 72$
 Tooth width $B_3 = 120.3$

All dimensions in mm

Intermediate sizes & special sprockets to drawing up to 1000mm diameter

Standard : to DIN 8187 ISO/R 606

Please note : All dimensions including bore sizes subject to change.

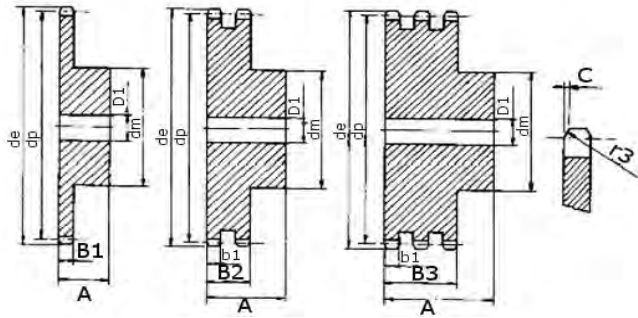
If a dimension is critical to your application please contact our sales department for confirmation.

For special sprockets or reworked sprockets please contact our sales department.

Please note : errors and omissions excepted



**Sprockets British Standard
1 3/4" x 1 1/4" (28B)
Steel with hub**



No. Teeth	Outside Dia. de	Pitch Dia. dp	Simplex			Duplex			Triplex		
			dm	D1	A	dm	D1	A	dm	D1	A
8	132	116.15	74	25	70	74	25	120	74	30	180
9	148.4	129.96	88	25	70	88	25	120	88	30	180
10	162.3	143.85	100	25	70	100	25	120	100	30	180
11	176.3	157.77	112	25	70	112	25	120	112	30	180
12	189.5	171.74	125	25	70	125	25	120	125	30	180
13	204.2	185.75	130	25	70	130	25	120	130	30	180
14	218.2	199.76	130	25	70	130	25	120	130	30	180
15	232.3	213.79	145	25	70	145	25	120	145	30	180
16	246.3	227.84	160	30	75	160	30	120	160	30	180
17	260	241.91	160	30	75	160	30	120	160	30	180
18	274	255.98	160	30	75	160	30	120	160	30	180
19	289	270.06	160	30	75	160	30	120	160	30	180
20	303	284.15	160	30	75	160	30	120	160	30	180
21	317	298.24	170	30	75	180	30	120	180	30	180
22	331	312.34	170	30	75	180	30	120	180	30	180
23	345	326.44	170	30	75	180	30	120	180	30	180
24	359	340.55	170	30	75	180	30	120	180	30	180
25	373	354.66	170	30	75	180	30	120	180	40	180
26	387	368.77	170	30	75	180	30	120	180	40	180
27	401.4	382.88	170	30	75	180	30	120	180	40	180
28	416	397	170	30	75	180	30	120	180	40	180
29	430	411.12	170	30	75	180	30	120	-	-	-
30	444	425.24	170	30	75	180	30	120	180	40	180
31	458	439.37	180	30	75	-	-	-	-	-	-
32	472	453.49	180	30	75	-	-	-	-	-	-
33	486	467.62	180	30	75	-	-	-	-	-	-
34	500	481.75	180	30	75	-	-	-	-	-	-
35	514	495.88	180	30	75	200	30	120	200	40	180
36	529	510.01	180	30	75	-	-	-	-	-	-
37	543	524.14	180	30	75	-	-	-	-	-	-
38	557	538.27	180	30	75	200	30	120	200	40	180
39	571	552.4	180	30	75	-	-	-	-	-	-
40	585	566.54	180	30	75	200	30	120	200	40	180

Tooth Radius $r_3 = 44$

Radius size C = 5

Tooth width $B_1 = 29.4$

Tooth width $b_1 = 29.8$

Tooth width $B_2 = 88.4$

Tooth width $B_3 = 148$

All dimensions in mm

Intermediate sizes & special sprockets to drawing up to 1000mm diameter

Standard : to DIN 8187 ISO/R 606

Please note : All dimensions including bore sizes subject to change.

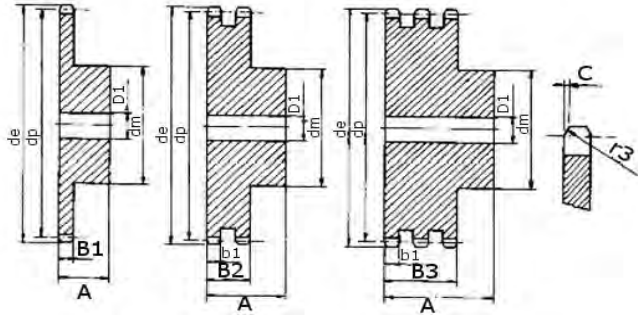
If a dimension is critical to your application please contact our sales department for confirmation.

For special sprockets or reworked sprockets please contact our sales department.

Please note : errors and omissions excepted



**Sprockets British Standard
2" x 1 1/4" (32B)
Steel with hub**



No. Teeth	Outside Dia. de	Pitch Dia. dp	Simplex			Duplex			Triplex		
			dm	D1	A	dm	D1	A	dm	D1	A
8	153.2	132.69	82	25	80	82	30	120	82	30	180
9	169	148.54	88	25	80	88	30	120	88	30	180
10	185	164.44	104	25	80	104	30	120	104	30	180
11	200.8	180.34	120	30	80	120	30	120	120	30	180
12	216.8	196.29	133	30	80	133	30	120	133	30	180
13	232.8	212.29	145	30	80	145	30	120	145	30	180
14	248.8	228.29	160	30	80	160	30	120	160	30	180
15	264.8	244.3	160	30	80	160	30	120	160	30	180
16	280.9	260.4	160	30	90	160	30	120	160	30	180
17	296.9	276.4	170	30	90	180	30	120	180	30	180
18	313	292.55	170	30	90	180	30	120	180	30	180
19	329.1	308.66	170	30	90	200	30	120	200	30	180
20	345.2	324.71	180	30	90	200	30	120	200	30	180
21	361.3	340.82	180	30	90	200	30	120	200	40	180
22	377.5	356.98	180	30	90	200	30	120	200	40	180
23	393.6	373.08	180	30	90	200	30	120	200	40	180
24	409.7	389.18	180	30	90	200	30	120	200	40	180
25	425.8	405.33	180	30	90	200	30	120	200	40	180
26	441.9	421.44	180	30	90	200	30	120	200	40	180
27	458.1	437.59	180	30	90	200	30	120	200	40	180
28	474.2	453.69	180	30	90	200	30	120	200	40	180
29	490.4	469.9	180	30	90	-	-	-	-	-	-
30	506.5	486	180	30	90	200	30	120	200	40	180
32	538.8	518.28	180	30	90	-	-	-	-	-	-
35	589.5	566.72	180	30	90	-	-	-	-	-	-
38	635.5	615.14	180	30	90	-	-	-	-	-	-
40	670.3	647.49	180	30	90	-	-	-	-	-	-

Tooth Radius $r_3 = 51$

Radius size C = 5

Tooth width $B_1 = 29.4$

Tooth width $b_1 = 29.8$

Tooth width $B_2 = 87.4$

Tooth width $B_3 = 146$

All dimensions in mm

Intermediate sizes & special sprockets to drawing up to 1000mm diameter

Standard : to DIN 8187 ISO/R 606

Please note : All dimensions including bore sizes subject to change.

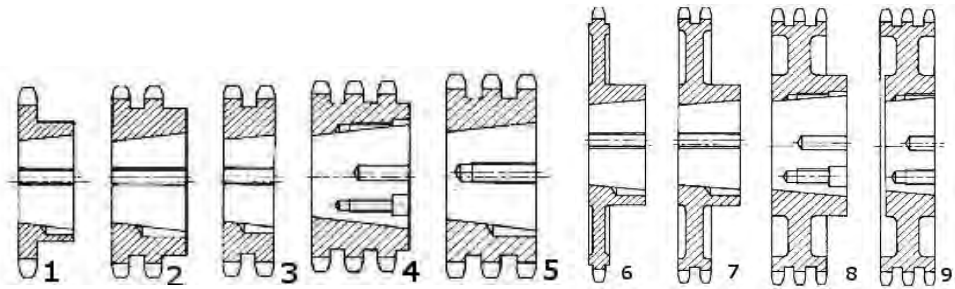
If a dimension is critical to your application please contact our sales department for confirmation.

For special sprockets or reworked sprockets please contact our sales department.

Please note : errors and omissions excepted



Sprockets
British Standard
3/8" x 7/32" (06B)
Steel Taper Lock



SIMPLEX				
No. Teeth	Bush Size	Type	Hub Dia	Overall Width
17	1008	1	44.5	22
18	1008	1	43	22
19	1008	1	46	22
20	1008	1	46	22
21	1008	1	46	22
22	1108	1	50	22
23	1210	1	62	25
24	1210	1	62	25
25	1210	1	63	25
26	1210	1	60	25
27	1210	1	60	25
28	1210	1	60	25
30	1210	1	63	25
38	1210	1	73	25
45	1210	1	73	25
57	1210	1	83	25
57*	1210	6	83	25
76*	1210	6	83	25
95*	1210	6	83	25
114*	1215	6	83	38

DUPLEX				
No. Teeth	Bush Size	Type	Hub Dia	Overall Width
17	1008	2	42.5	22
18	1008	2	43	22
19	1008	2	46	22
20	1008	2	48	22
21	1008	2	49	22
22	1108	2	52	22
23	1210	2	58	25
24	1210	2	61	25
25	1210	2	64	25
26	1210	2	65	25
27	1210	2	65	25
28	1210	2	65	25
30	1210	2	65	25
38	1610	2	76	25
45	1610	2	89	25
57	1610	7	89	25
76	1610	2	89	25
76*	1610	7	89	25
95*	1610	7	89	25
114*	1615	7	89	38

* Cast Iron

All dimensions in mm

Intermediate sizes & special sprockets to drawing up to 1000mm diameter

Standard : to DIN 8187 ISO/R 606

Please note : All dimensions including bore sizes subject to change.

If a dimension is critical to your application please contact our sales department for confirmation.

For special sprockets or reworked sprockets please contact our sales department.

Please note : errors and omissions excepted.

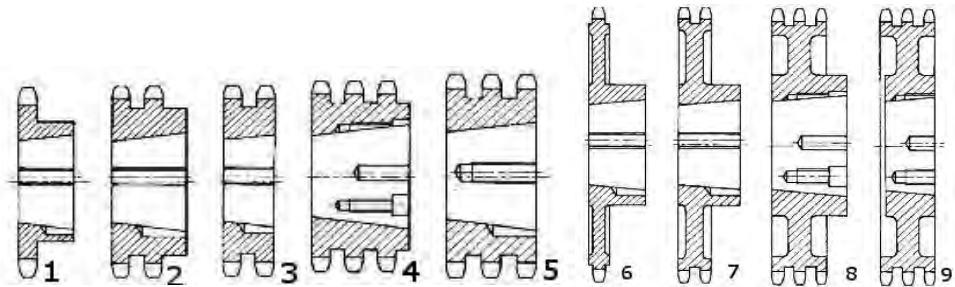


Sprockets

British Standard

1/2" x 5/16" (08B)

Steel Taper Lock



SIMPLEX				
No. Teeth	Bush Size	Type	Hub Dia	Overall Width
15	1008	1	46	22
16	1108	1	50	22
17	1210	1	59.5	25
18	1210	1	60	25
19	1210	1	63	25
20	1610	1	71	25
21	1610	1	71	25
22	1610	1	70	25
23	1610	1	76	25
24	1610	1	70	25
25	1610	1	76	25
26	1610	1	70	25
27	1610	1	76	25
28	2012	1	90	32
30	2012	1	90	32
38	2012	1	102	32
45	2012	1	102	32
57	2012	1	111	32
57*	2012	6	111	32
76	2012	1	111	32
76*	2012	6	111	32
95*	2012	6	111	32
114*	2517	6	124	45

DUPLEX				
No. Teeth	Bush Size	Type	Hub Dia	Overall Width
15	1008	2	46	22
16	1108	2	50	22
17	1210	2	56	25
18	1210	2	58	25
19	1210	2	64	25
20	1610	2	66	25
21	1610	2	71	25
22	1610	2	76	25
23	1610	2	79	25
24	2012	2	84	32
25	2012	2	87	32
26	2012	2	85	32
27	2012	2	87	32
28	2012	2	87	32
30	2012	2	87	32
38	2012	2	102	32
45	2012	2	111	32
57	2012	2	111	32
57*	2012	7	111	32
76*	2012	7	111	32
95*	2012	7	111	32
114*	2517	7	124	45

* Cast Iron

All dimensions in mm

Intermediate sizes & special sprockets to drawing up to 1000mm diameter

Standard : to DIN 8187 ISO/R 606

Please note : All dimensions including bore sizes subject to change.

If a dimension is critical to your application please contact our sales department for confirmation.

For special sprockets or reworked sprockets please contact our sales department.

Please note : errors and omissions excepted.

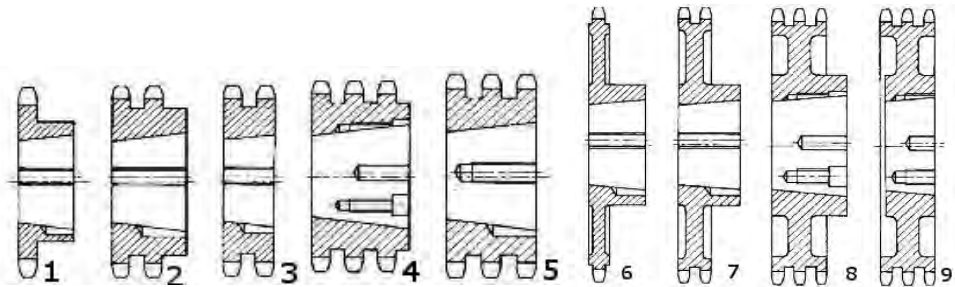


Sprockets

British Standard

5/8" x 3/8" (10B)

Steel Taper Lock



SIMPLEX				
No. Teeth	Bush Size	Type	Hub Dia	Overall Width
13	1008	1	46	22
14	1108	1	52	22
15	1210	1	63	25
16	1610	1	70	25
17	1610	1	71	25
18	1610	1	75	25
19	1610	1	76	25
20	1610	1	75	25
21	1610	1	76	25
22	1610	1	76	25
23	1610	1	76	25
24	2012	1	90	32
25	2012	1	90	32
26	2012	1	85	32
27	2012	1	90	32
28	2012	1	90	32
30	2012	1	90	32
38	2012	1	102	32
45	2012	6	111	32
57	2012	1	111	32
57*	2012	6	111	32
76	2012	1	111	32
76*	2012	6	111	32
95*	2517	6	124	45
114*	2517	6	124	45

DUPLEX				
No. Teeth	Bush Size	Type	Hub Dia	Overall Width
15	1210	3	-	25.5
16	1610	3	-	25.5
17	1610	3	-	25.5
18	1610	3	-	25.5
19	1610	3	-	25.5
20	1610	3	-	25.5
21	1610	3	-	25.5
22	1610	3	-	25.5
23	1610	3	-	25.5
24	2012	2	90	32
25	2012	2	90	32
26	2012	2	90	32
27	2012	2	90	32
28	2012	2	90	32
30	2012	2	90	32
38	2517	2	108	45

*Cast Iron

All dimensions in mm

Intermediate sizes & special sprockets to drawing up to 1000mm diameter

Standard : to DIN 8187 ISO/R 606

Please note : All dimensions including bore sizes subject to change.

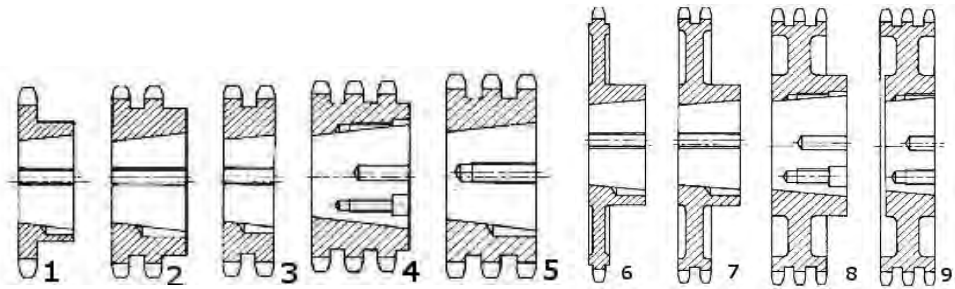
If a dimension is critical to your application please contact our sales department for confirmation.

For special sprockets or reworked sprockets please contact our sales department

Please note : errors and omissions excepted.



Sprockets
British Standard
3/4" x 7/16" (12B)
Steel Taper Lock



SIMPLEX				
No. Teeth	Bush Size	Type	Hub Dia	Overall Width
13	1210	1	63	25
14	1610	1	71	25
15	1610	1	71	25
16	1610	1	75	25
17	1610	1	76	25
18	2012	1	90	32
19	2012	1	90	32
20	2012	1	90	32
21	2517	1	102	45
22	2517	1	102	45
23	2517	1	108	45
24	2517	1	108	45
25	2517	1	108	45
26	2517	1	108	45
27	2517	1	108	45
28	2517	1	108	45
30	2517	1	108	45
38	2517	1	124	45
45	2517	6	124	45
57*	2517	1	124	45
76*	2517	6	124	45
95*	2517	6	124	45
114*	2525	6	124	63

DUPLEX				
No. Teeth	Bush Size	Type	Hub Dia	Overall Width
15	1610	3	-	30.3
16	1610	3	-	30.3
17	1610	3	-	30.3
18	2012	2	89	32
19	2012	2	95	32
20	2517	2	108	45
21	2517	2	108	45
22	2517	2	108	45
23	2517	2	108	45
24	2517	2	108	45
25	2517	2	108	45
26	2517	2	108	45
27	2517	2	108	45
28	2517	2	108	45
30	2517	2	108	45
38	3020	7	152	51
45	3020	2	154	51
45*	3020	7	154	51
57*	3020	7	159	51
76*	3020	7	159	51
95*	3020	7	159	51
114*	3030	7	159	76

TRIPLEX				
No. Teeth	Bush Size	Type	Hub Dia	Overall Width
15	1615	5	-	49.8
17	2012	5	-	49.8
19	2012	5	-	49.8
21	2517	5	-	49.8
23	2517	5	-	49.8
25	2517	5	-	49.8
27	3020	5	-	51
30	3020	5	-	51
38	3020	5	-	51
45	3020	5	-	51
57*	3020	8	159	51
76*	3020	8	159	51
95*	3030	8	165	76
114*	3030	8	165	76

* Cast Iron

All dimensions in mm
 Intermediate sizes & special sprockets to drawing
 up to 1000mm diameter

Standard : to DIN 8187 ISO/R 606

Please note : All dimensions including bore sizes
 subject to change.

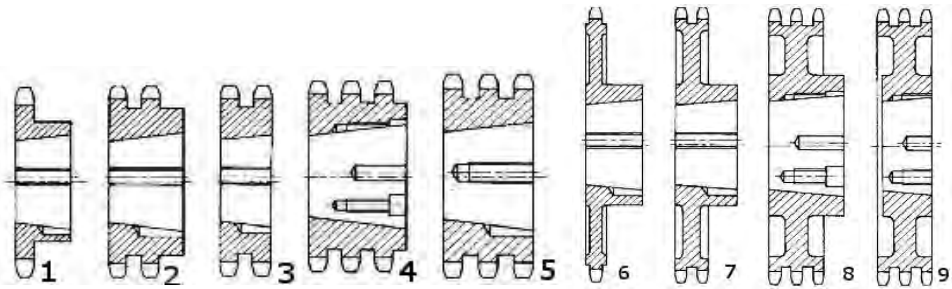
If a dimension is critical to your application please
 contact our sales department for confirmation.

For special sprockets or reworked sprockets please
 contact our sales department.

Please note : errors and omissions excepted.



Sprockets
British Standard
1" x 17.02mm (16B)
Steel Taper Lock



SIMPLEX				
No. Teeth	Bush Size	Type	Hub Dia	Overall Width
13	1610	1	78	25
14	1610	1	78	25
15	1610	1	78	25
16	2012	1	90	32
17	2012	1	90	32
18	2517	1	108	45
19	2517	1	108	45
20	2517	1	108	45
21	2517	1	108	45
22	2517	1	108	45
23	2517	1	108	45
24	2517	1	108	45
25	2517	1	108	45
26	2517	1	108	45
27	2517	1	108	45
28	3020	1	108	45
30	3020	1	159	51
38	3020	6	159	51
45	3020	6	159	51
45*	3020	6	159	51
57	3020	6	159	51
57*	3020	6	159	51
76*	3020	6	159	51

DUPLEX				
No. Teeth	Bush Size	Type	Hub Dia	Overall Width
15	2012	3	-	47.7
16	2517	3	-	47.7
17	2517	3	-	47.7
18	2517	3	-	47.7
19	2517	3	-	47.7
20	2517	3	-	47.7
21	3020	2	143	51
22	3020	2	150	51
23	3020	2	159	51
24	3020	2	166	51
25	3020	2	175	51
26	3020	2	175	51
27	3020	2	175	51
28	3020	2	175	51
30	3020	2	175	51
38	3020	7	146	51
38*	3020	7	146	51
45*	3020	7	198	51

TRIPLEX				
No. Teeth	Bush Size	Type	Hub Dia	Overall Width
17	2517	5	-	79.6
19	3020	5	-	79.6
21	3020	5	-	79.6
23	3525	5	-	79.6
25	3525	5	-	79.6
27	3525	5	-	79.6
30	3525	5	-	79.6
38	3525	5	-	79.6
38*	3525	5	-	79.6

*Cast Iron

All dimensions in mm

Intermediate sizes & special sprockets to drawing up to 1000mm diameter

Standard : to DIN 8187 ISO/R 606

Please note : All dimensions including bore sizes subject to change.

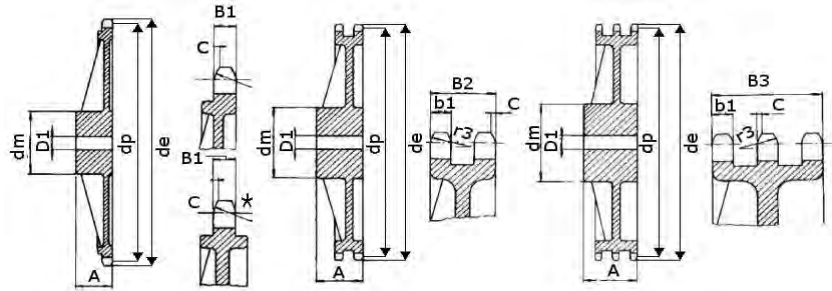
If a dimension is critical to your application please contact our sales department for confirmation.

For special sprockets or reworked sprockets please contact our sales department.

Please note : errors and omissions excepted.



Sprockets British Standard 3/8" x 7/32" Cast Iron



No. teeth	de	dp	Simplex			Duplex			Triplex		
			dm	D1	A	dm	D1	A	dm	D1	A
38	119.5	115.35	70	19	32	80	19	40	90	23	56
45	140.7	136.55	70	19	32	80	19	40	90	23	56
57	176.9	172.91	70	19	32	80	19	40	90	23	56
76	234.9	230.49	70	19	32	80	19	40	100	23	56
*95	292.5	288.08	80	19	40	90	19	45	100	23	56
*114	349.6	345.68	80	19	40	90	19	45	100	23	56
*150	459.2	454.82	90	23	45	100	23	50	125	23	60

Tooth Radius $r_3 = 10$

Radius size C = 1.0

Tooth width $B_1 = 5.3$

Tooth width $b_1 = 5.2$

Tooth width $B_2 = 15.4$

Tooth width $B_3 = 25.6$

de = outside diameter

dp = pitch diameter

* Simplex sprockets with rim reinforcement on both sides

All dimensions in mm

Intermediate sizes & special sprockets to drawing up to 1000mm diameter

Standard : to DIN 8187 ISO/R 606

Please note : All dimensions including bore sizes subject to change.

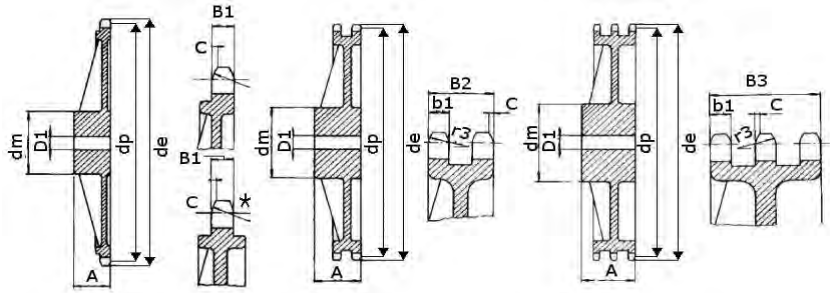
If a dimension is critical to your application please contact our sales department for confirmation.

For special sprockets or reworked sprockets please contact our sales department.

Please note : errors and omissions excepted.



Sprockets British Standard 1/2" x 5/16" Cast Iron



No. teeth	de	dp	Simplex			Duplex			Triplex		
			dm	D1	A	dm	D1	A	dm	D1	A
38	119.5	115.35	70	19	32	80	19	40	90	23	56
45	140.7	136.55	70	19	32	80	19	40	90	23	56
57	176.9	172.91	70	19	32	80	19	40	90	23	56
76	234.9	230.49	70	19	32	80	19	40	100	23	56
95	292.5	288.08	80	19	40	90	19	45	100	23	56
114	349.6	345.68	80	19	40	90	19	45	100	23	56
150	459.2	454.82	90	23	45	100	23	50	125	23	60

Tooth Radius $r_3 = 13$

Radius size C = 1.3

Tooth width $B_1 = 7.2$

Tooth width $b_1 = 7.0$

Tooth width $B_2 = 21.0$

Tooth width $B_3 = 34.9$

de = outside diameter

dp = pitch diameter

All dimensions in mm

Intermediate sizes & special sprockets to drawing up to 1000mm diameter

Standard : to DIN 8187 ISO/R 606

Please note : All dimensions including bore sizes subject to change.

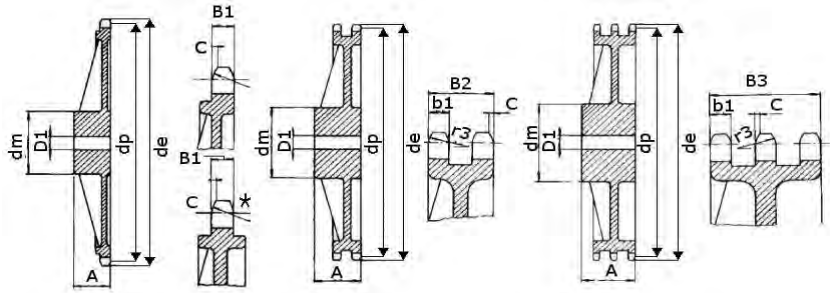
If a dimension is critical to your application please contact our sales department for confirmation.

For special sprockets or reworked sprockets please contact our sales department.

Please note : errors and omissions excepted.



Sprockets British Standard 5/8" x 3/8" Cast Iron



No. teeth	de	dp	Simplex			Duplex			Triplex		
			dm	D1	A	dm	D1	A	dm	D1	A
38	199.2	192.24	80	19	40	100	29	50	100	31	60
45	235	227.58	80	19	40	100	29	50	100	31	60
57	296	288.18	90	23	45	100	29	56	100	31	63
*76	392.1	384.16	90	23	50	100	29	63	110	34	67
*95	488.5	480.14	100	23	56	110	29	63	125	34	70
*114	584.1	576.13	100	23	56	125	29	70	125	34	80

Tooth Radius $r_3 = 16$

Radius size C = 1.6

Tooth width $B_1 = 9.1$

Tooth width $b_1 = 9.0$

Tooth width $B_2 = 25.5$

Tooth width $B_3 = 42.1$

de = Outside Diameter

dp = Pitch Diameter

* Simplex sprockets with rim reinforcement on both sides

All dimensions in mm

Intermediate sizes & special sprockets to drawing up to 1000mm diameter

Standard : to DIN 8187 ISO/R 606

Please note : All dimensions including bore sizes subject to change.

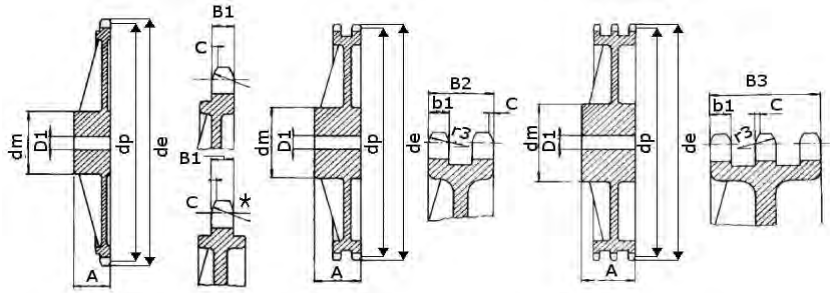
If a dimension is critical to your application please contact our sales department for confirmation.

For special sprockets or reworked sprockets please contact our sales department.

Please note : errors and omissions excepted.



Sprockets British Standard 3/4 x 7/16 Cast Iron



No. teeth	de	dp	Simplex			Duplex			Triplex		
			dm	D1	A	dm	D1	A	dm	D1	A
38	239	230.69	100	23	56	110	29	63	140	31	70
45	282.5	273.1	100	23	56	110	29	63	140	31	70
57	354	345.81	100	29	56	120	29	63	140	39	70
76	469.9	460.99	100	29	56	135	29	63	160	39	75
*95	585.1	576.17	100	29	65	135	29	70	170	39	82
*114	700.6	691.36	100	29	65	135	44	70	170	49	82

Tooth Radius $r_3 = 19$

Radius size C = 2

Tooth width $B_1 = 11.1$

Tooth width $b_1 = 10.8$

Tooth width $B_2 = 30.3$

Tooth width $B_3 = 49.8$

de = Outside Diameter

dp = Pitch Diameter

* Simplex sprockets with rim reinforcement on both sides

All dimensions in mm

Intermediate sizes & special sprockets to drawing up to 1000mm diameter

Standard : to DIN 8187 ISO/R 606

Please note : All dimensions including bore sizes subject to change.

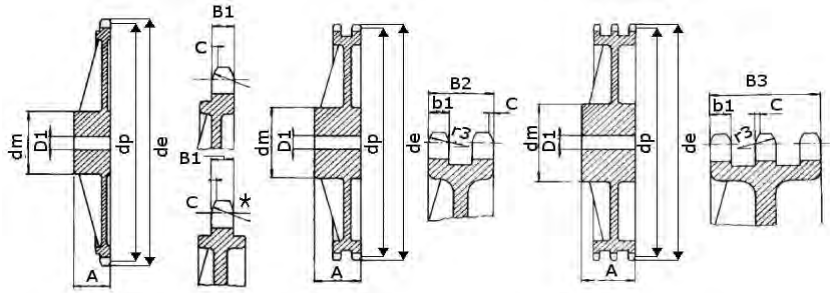
If a dimension is critical to your application please contact our sales department for confirmation.

For special sprockets or reworked sprockets please contact our sales department.

Please note : errors and omissions excepted.



Sprockets British Standard 1" x 17.02mm Cast Iron



No. teeth	de	dp	Simplex			Duplex			Triplex		
			dm	D1	A	dm	D1	A	dm	D1	A
30	254	243	110	29	65	125	39	75	145	39	90
38	320	307.59	110	29	65	140	39	75	160	44	100
45	377	364.13	125	29	70	148	39	75	160	44	100
57	474	461.08	125	34	70	160	39	90	165	44	100
76	627	614.65	140	34	80	175	39	95	200	44	110
95	781	768.22	140	39	80	175	44	95	200	49	110
*114	933	921.81	150	39	80	175	44	95	200	49	115

Tooth Radius $r_3 = 26$

Radius size C = 2.5

Tooth width $B_1 = 16.2$

Tooth width $b_1 = 15.8$

Tooth width $B_2 = 47.7$

Tooth width $B_3 = 79.6$

de = Outside Diameter

dp = Pitch Diameter

* Simplex sprockets with rim reinforcement on both sides

All dimensions in mm

Intermediate sizes & special sprockets to drawing up to 1000mm diameter

Standard : to DIN 8187 ISO/R 606

Please note : All dimensions including bore sizes subject to change.

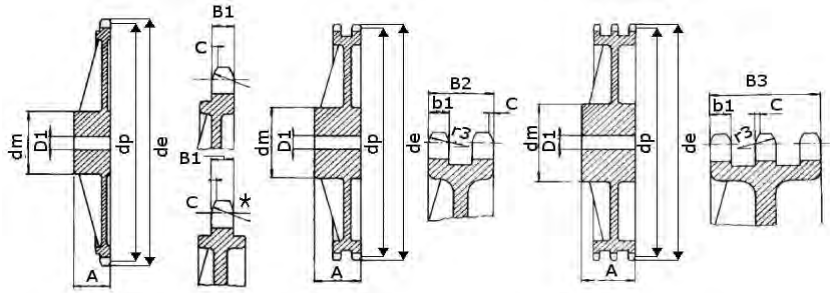
If a dimension is critical to your application please contact our sales department for confirmation.

For special sprockets or reworked sprockets please contact our sales department.

Please note : errors and omissions excepted.



Sprockets British Standard 1 1/4" x 3/4" Cast Iron



No. teeth	de	dp	Simplex			Duplex			Triplex		
			dm	D1	A	dm	D1	A	dm	D1	A
30	318.9	303.75	115	34	70	130	39	80	-	-	-
38	399.6	384.49	125	34	70	140	44	90	170	55	110
45	470.3	455.17	125	34	70	140	44	90	-	-	-
57	591.5	576.36	135	39	80	160	49	100	180	62	125
76	783.5	768.32	140	49	90	180	55	100	-	-	-

Tooth Radius $r_3 = 32$

Radius size C = 3.5

Tooth width $B_1 = 18.5$

Tooth width $b_1 = 18.2$

Tooth width $B_2 = 54.6$

Tooth width $B_3 = 91.0$

de = Outside Diameter

dp = Pitch Diameter

* Simplex sprockets with rim reinforcement on both sides

All dimensions in mm

Intermediate sizes & special sprockets to drawing up to 1000mm diameter

Standard : to DIN 8187 ISO/R 606

Please note : All dimensions including bore sizes subject to change.

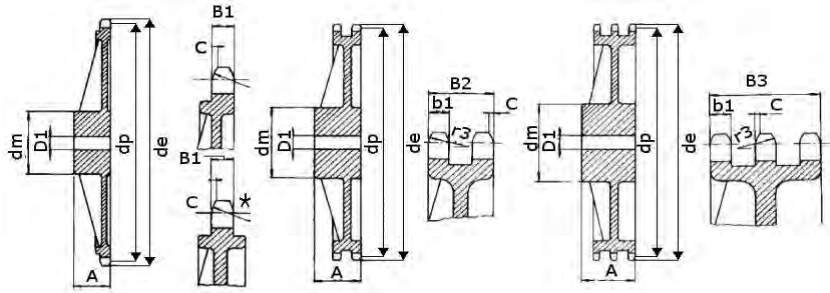
If a dimension is critical to your application please contact our sales department for confirmation.

For special sprockets or reworked sprockets please contact our sales department.

Please note : errors and omissions excepted.



Sprockets British Standard 1 1/2" x 1" Cast Iron



No. teeth	de	dp	Simplex			Duplex			Triplex		
			dm	D1	A	dm	D1	A	dm	D1	A
30	379.5	364.5	130	39	85	-	-	-	-	-	-
38	476.2	461.39	140	44	90	180	44	100	200	62	150
45	581.2	546.2	140	44	90	-	-	-	-	-	-
57	706.5	691.63	160	44	100	200	54	110	200	62	150
76	936.9	921.98	170	44	100	220	54	120	250	69	150
95	1172	1152.3	220	160	120	-	-	-	270	50	200
114	1402.5	1382.7	220	70	110	290	60	180	-	-	-

Tooth Radius $r_3 = 38$

Radius size C = 4

Tooth width $B_1 = 24.1$

Tooth width $b_1 = 23.6$

Tooth width $B_2 = 72.0$

Tooth width $B_3 = 120.3$

de = Outside Diameter

dp = Pitch Diameter

* Simplex sprockets with rim reinforcement on both sides

All dimensions in mm

Intermediate sizes & special sprockets to drawing up to 1000mm diameter

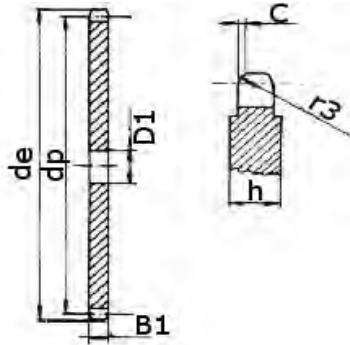
Standard : to DIN 8187 ISO/R 606

Please note : All dimensions including bore sizes subject to change.

If a dimension is critical to your application please contact our sales department for confirmation.

For special sprockets or reworked sprockets please contact our sales department.

Please note : errors and omissions excepted.

**Platewheels British Standard****6mm x 2.8mm (041-1)****Steel no hub**

No. Teeth	Outside Dia. de	Pitch Dia. dp	D1
8	18	15.67	5
9	19.9	17.54	5
10	21.7	19.42	6
11	23.6	21.3	6
12	25.4	23.18	6
13	27.3	25.05	8
14	29.2	26.96	8
15	31	28.86	8
16	33	30.76	8
17	35	32.65	8
18	36.9	34.55	8
19	38.8	36.44	8
20	40.7	38.34	8
21	42.6	40.25	8
22	44.5	42.16	8
23	46.4	44.06	8
24	48.3	45.96	8
25	50.2	47.87	8
26	52.1	49.76	8
27	54	51.67	8
28	55.9	53.58	8
29	57.8	55.5	8
30	59.8	57.42	8
31	61.7	59.31	8
32	63.6	61.21	8
33	65.5	63.11	8
34	67.4	65.02	8
35	69.3	66.93	8
36	71.2	68.84	8
37	73.1	70.75	8
38	75	72.66	8
39	76.9	74.57	8
40	78.9	76.47	8
41	80.8	78.38	10
42	82.7	80.28	10
43	84.7	82.19	10

From 51 teeth dimension

'h' = 4mm

Tooth Radius r3 = 6

Radius size C = 0.7

Tooth width B1 = 2.6

All dimensions in mm

Intermediate sizes & special platewheels to drawing up to 1000mm diameter

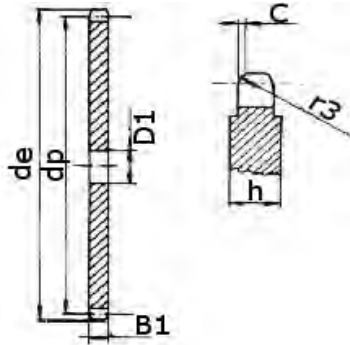
Standard : to DIN 8187 ISO/R 606

Please note : All dimensions including bore sizes subject to change.

If a dimension is critical to your application please contact our sales department for more information

For special sprockets or reworked sprockets please contact our sales department.

Please note : errors and omissions excepted.

**Platewheels British Standard****6mm x 2.8mm (041-1)****Steel no hub**

No. Teeth	Outside Dia. de	Pitch Dia. dp	D1
44	86.6	84.1	10
45	88.5	86.01	10
46	90.4	87.92	10
47	92.3	89.93	10
48	94.2	91.74	10
49	96.1	93.64	10
50	98	95.55	10
51	99.9	97.46	12
52	101.8	99.37	12
53	103.7	101.27	12
54	105.6	103.17	12
55	107.6	105.08	12
56	109.5	107	12
57	111.4	108.93	12
58	113.3	110.82	12
59	115.2	112.71	12
60	117.1	114.62	12
62	120.9	118.45	14
64	124.7	122.27	14
65	126.6	124.18	14
66	128.5	126.09	14
68	132.4	129.91	14
70	136.2	133.73	14
72	140	137.55	16
75	145.7	143.28	16
76	147.6	145.19	16
78	151.5	149.01	16
80	155.3	152.82	16
85	164.8	162.37	16
90	174.4	171.92	16
95	183.9	181.47	16
100	193.5	191.01	16
110	212.6	210.11	16
114	220.2	217.75	16
120	231.7	229.2	16
125	241.2	238.75	16

From 51 teeth dimension

'h' = 4mm

Tooth Radius r3 = 6

Radius size C = 0.7

Tooth width B1 = 2.6

All dimensions in mm

Intermediate sizes & special platewheels to drawing up to 1000mm diameter

Standard : to DIN 8187 ISO/R 606

Please note : All dimensions including bore sizes subject to change.

If a dimension is critical to your application please contact our sales department for more information

For special sprockets or reworked sprockets please contact our sales department.

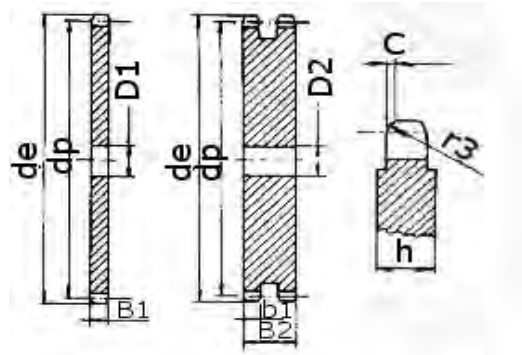
Please note : errors and omissions excepted.



Platewheels British Standard

8mm x 3mm (05B)

Steel no hub



No. Teeth	Outside Dia. de	Pitch Dia. dp	Simplex D1	Duplex D2
8	24	20.9	6	6
9	26.6	23.39	6	6
10	29.2	25.89	8	8
11	31.7	28.39	8	8
12	34.2	30.91	8	8
13	36.7	33.42	8	8
14	39.2	35.95	8	8
15	41.7	38.48	8	8
16	44.3	41.01	8	10
17	46.8	43.53	8	10
18	49.3	46.07	8	10
19	51.9	48.61	8	10
20	54.4	51.14	8	10
21	57	53.68	8	10
22	59.5	56.21	8	10
23	62	58.75	8	10
24	64.6	61.29	8	10
25	67.5	63.83	8	10
26	69.5	66.37	10	12
27	72.2	68.91	10	12
28	74.8	71.45	10	12
29	77.3	73.99	10	12
30	79.8	76.53	10	12
31	82.4	79.08	10	12
32	84.9	81.61	10	12
33	87.5	84.16	10	12
34	90	86.7	10	12
35	92.5	89.25	10	12
36	95	91.79	10	12
37	97.6	94.33	10	12
38	100.2	96.88	10	12
39	102.7	99.42	10	12
40	105.3	101.97	10	12
41	107.8	104.51	12	14
42	110.4	107.05	12	14
43	112.9	109.6	12	14

Tooth Radius r3 = 8

Radius size C = 1.0

Tooth width B1 = 2.8

Tooth width b1 = 2.7

Tooth width B2 = 8.3

All dimensions in mm

Intermediate sizes & special platewheels to drawing up to 1000mm diameter

Standard : to DIN 8187 ISO/R 606

Please note : All dimensions including bore sizes subject to change.

If a dimension is critical to your application please contact our sales department for more information

For special sprockets or reworked sprockets please contact our sales department.

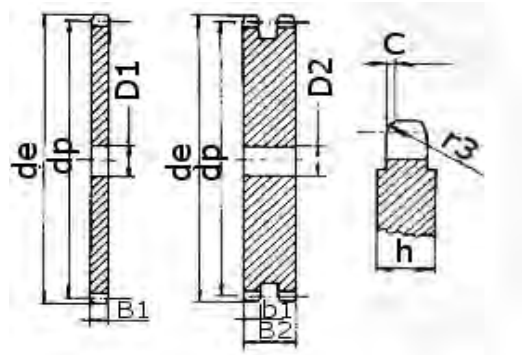
Please note : errors and omissions excepted.



Platewheels British Standard

8mm x 3mm (05B)

Steel no hub



No. Teeth	Outside Dia. de	Pitch Dia. dp	Simplex D1	Duplex D2
44	115.5	112.14	12	14
45	118	114.69	12	14
46	120.6	117.23	12	14
47	123.1	119.77	12	14
48	125.6	122.32	12	14
49	128.2	124.86	12	14
50	130.7	127.41	12	14
51	133.3	129.95	14	16
52	135.8	132.49	14	16
53	138.4	135.04	14	16
54	140.9	137.59	14	16
55	143.5	140.13	14	16
56	146	142.68	14	16
57	148.6	145.22	14	16
58	151	147.77	14	16
59	153.6	150.31	14	16
60	156.2	152.85	14	16
62	162	157.95	16	20
64	167.1	163.04	16	20
65	169.6	165.58	16	20
66	172.2	168.13	16	20
68	177.3	173.22	16	20
70	182.4	178.31	16	20
72	187.5	183.41	20	20
75	195.1	191.04	20	20
76	197.7	193.59	20	20
78	202.8	198.68	20	20
80	207.9	203.77	20	20
85	220.6	216.5	20	20
90	233.4	229.23	20	20
95	246.1	241.96	20	20
100	258.9	254.68	20	20
110	284.3	280.15	20	20
114	294.5	290.33	20	20
120	310	305.61	20	20
125	322.5	318.34	20	20

From 46 teeth dimension 'h' = 4mm

Tooth Radius r3 = 8

Radius size C = 1.0

Tooth width B1 = 2.8

Tooth width b1 = 2.7

Tooth width B2 = 8.3

All dimensions in mm

Intermediate sizes & special platewheels to drawing up to 1000mm diameter

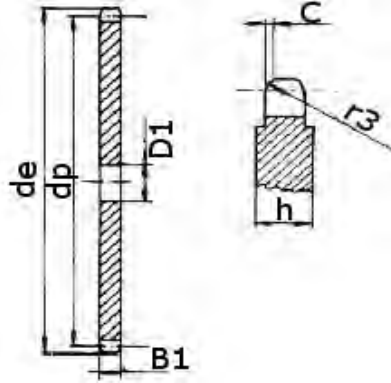
Standard : to DIN 8187 ISO/R 606

Please note : All dimensions including bore sizes subject to change.

If a dimension is critical to your application please contact our sales department for more information

For special sprockets or reworked sprockets please contact our sales department.

Please note : errors and omissions excepted.



Platewheels British Standard

1/2" x 1/8" (081-1)

Steel no hub

from 30 teeth dimension 'h' = 4mm

from 90 teeth dimension 'h' = 6mm

Tooth Radius $r_3 = 13$

Radius size C = 1.3

Tooth width $B_1 = 3.0$

No. Teeth	Outside Diam. de	Pitch Diam. dp	Bore
43	179.5	173.99	16
44	183.5	178.03	16
45	187.5	182.07	16
46	191.6	186.1	20
47	195.6	190.14	20
48	199.7	194.18	20
49	203.7	198.22	20
50	207.8	202.26	20
51	211.8	206.3	20
52	215.9	210.34	20
53	219.9	214.37	20
54	224	218.43	20
55	228	222.46	20
56	232.1	226.5	20
57	236.1	230.54	20
58	240.2	234.58	20
59	244.2	238.62	20
60	248.2	242.66	20
62	256.7	250.75	20
64	264.8	258.82	20
65	268.8	262.86	20
66	272.9	268.9	25
68	280.9	274.99	25
70	289	283.07	25
72	297.1	291.16	25
76	313.3	307.33	25
78	321.4	315.4	25
80	329.4	323.48	25
85	349.7	343.7	25
90	369.9	363.9	25
95	390.1	384.1	25
100	410.3	404.31	25
110	450.7	444.74	25
114	466.9	460.9	25
120	491.2	485.16	25
125	511.4	505.37	25

All dimensions in mm

Intermediate sizes & special platewheels to drawing up to 1000mm diameter

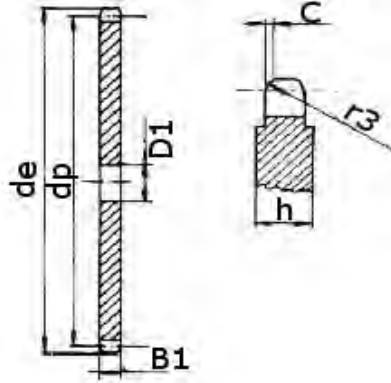
Standard : to DIN 8187 ISO/R 606

Please note : All dimensions including bore sizes subject to change.

If a dimension is critical to your application please contact our sales department for more information

For special sprockets or reworked sprockets please contact our sales department.

Please note : errors and omissions excepted.



Platewheels British Standard

1/2" x 3/16" (083-1)

Steel no hub

from 90 teeth dimension 'h' = 6mm

Tooth Radius $r_3 = 13$

Radius size $C = 1.3$

Tooth width $B_1 = 4.3 \pm 0.2$

No. Teeth	Outside Dia. de	Pitch Dia. dp	D1
8	38.5	33.18	8
9	41.5	37.13	8
10	46.2	41.1	8
11	49.6	45.07	8
12	53.9	49.07	8
13	58.4	53.06	8
14	62.8	57.07	8
15	66.8	61.09	8
16	70.9	65.1	10
17	74.9	69.11	10
18	78.9	73.14	10
19	82.9	77.16	10
20	86.9	81.19	10
21	91	85.22	10
22	95	89.24	10
23	99	93.27	10
24	103	97.29	10
25	107.1	101.33	10
26	111.2	105.36	12
27	115.4	109.4	12
28	119.4	113.42	12
29	123.4	117.46	12
30	127.5	121.5	12
31	131.5	125.54	12
32	135.5	129.56	12
33	139.6	133.6	12
34	143.6	137.64	12
35	147.6	141.68	12
36	151.7	145.72	16
37	155.7	149.76	16
38	159.8	153.8	16
39	163.8	157.83	16
40	167.8	161.87	16
41	171.4	165.91	16
42	175.4	169.95	16

All dimensions in mm

Intermediate sizes & special platewheels to drawing up to 1000mm diameter

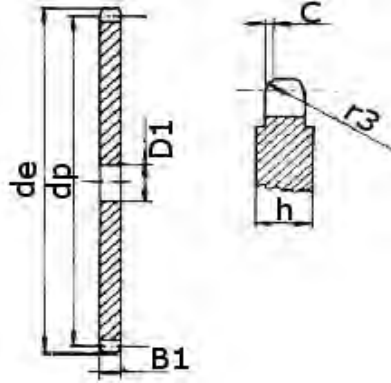
Standard : to DIN 8187 ISO/R 606

Please note : All dimensions including bore sizes subject to change.

If a dimension is critical to your application please contact our sales department for more information

For special sprockets or reworked sprockets please contact our sales department.

Please note : errors and omissions excepted.



Platewheels British Standard

1/2" x 3/16" (083-1)

Steel no hub

No. Teeth	Outside Dia. de	Pitch Dia. dp	D1
43	179.5	173.99	16
44	183.5	178.03	16
45	187.5	182.07	16
46	191.6	186.1	20
47	195.6	190.14	20
48	199.7	194.18	20
49	203.7	198.22	20
50	207.8	202.26	20
51	211.8	206.3	20
52	215.9	210.34	20
53	219.9	214.37	20
54	224	218.43	20
55	228	222.46	20
56	232.1	226.5	20
57	236.1	230.54	20
58	240.2	234.58	20
59	244.2	238.62	20
60	248.2	242.66	20
62	256.7	250.75	20
64	264.8	258.82	20
65	268.8	262.86	20
66	272.9	266.9	25
68	280.9	274.99	25
70	289	283.07	25
72	297.1	291.16	25
76	313.3	307.33	25
78	321.4	315.4	25
80	329.4	323.48	25
85	349.7	343.7	25
90	369.9	363.9	25
95	390.1	384.1	25
100	410.3	404.31	25
110	450.7	444.74	25
114	466.9	460.9	25
120	491.2	485.16	25
125	511.4	505.37	25

from 90 teeth dimension 'h' = 6mm

Tooth Radius r3 = 13

Radius size C = 1.3

Tooth width B1 = 4.3 +/- 0.2

All dimensions in mm

Intermediate sizes & special platewheels to drawing up to 1000mm diameter

Standard : to DIN 8187 ISO/R 606

Please note : All dimensions including bore sizes subject to change.

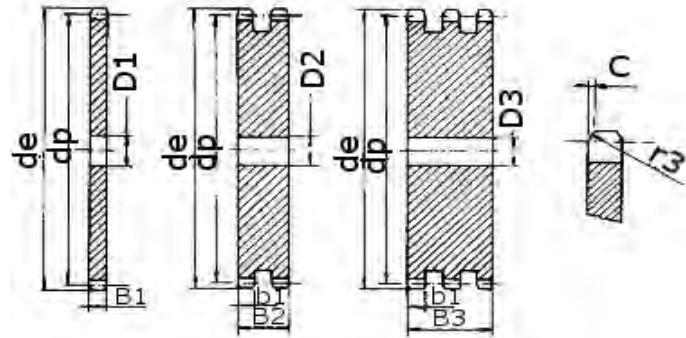
If a dimension is critical to your application please contact our sales department for more information

For special sprockets or reworked sprockets please contact our sales department.

Please note : errors and omissions excepted.



Platewheels British Standard 1/2" x 5/16" (08B) Steel no hub



No. Teeth	Outside Dia. de	Pitch Dia. dp	Simplex D1	Duplex D2	Triplex D3
45	188	182.07	20	20	25
46	192.1	186.1	20	20	25
47	198.2	190.14	20	20	25
48	200.3	194.18	20	20	25
49	204.3	198.22	20	20	25
50	208.3	202.26	20	20	25
51	212.1	206.3	20	25	25
52	216.1	210.34	20	25	25
53	220.2	214.37	20	25	25
54	224.1	218.43	20	25	25
55	228.1	222.46	20	25	25
56	232.2	226.5	20	25	25
57	236.4	230.54	20	25	25
58	240.5	234.58	20	25	25
59	244.5	238.62	20	25	25
60	248.6	242.66	20	25	25
62	256.9	250.75	25	25	25
64	265.1	258.82	25	25	25
65	269	262.86	25	25	25
66	273	266.9	25	25	25
68	281	274.99	25	25	25
69	285	279.04	25	25	25
70	289	283.07	25	25	25
72	297.2	291.16	25	25	25
75	309.2	303.27	25	25	25
76	313.3	307.33	25	25	25
78	321.4	315.4	25	25	25
80	329.4	323.48	25	25	25
85	349	343.7	25	25	25
90	369.9	363.9	25	25	25
95	390.1	384.11	25	25	25
100	410.3	404.32	25	25	25
110	450.7	444.74	25	25	25
114	466.9	460.9	25	25	25
120	491.2	485.16	25	25	25
125	511.3	505.37	25	25	25

Tooth Radius r3 = 13

Radius size C = 1.3

Tooth width B1 = 7.2

Tooth width b1 = 7.0

Tooth width B2 = 21.0

Tooth width B3 = 34.9

All dimensions in mm

Intermediate sizes & special platewheels to drawing up to 1000mm diameter

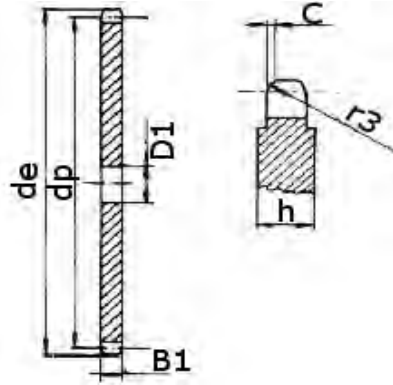
Standard : to DIN 8187 ISO/R 606

Please note : All dimensions including bore sizes subject to change.

If a dimension is critical to your application please contact our sales department for more information

For special sprockets or reworked sprockets please contact our sales department.

Please note : errors and omissions excepted.



Platewheels British Standard

1/2" x 1/8" (081-1)

Steel no hub

from 30 teeth dimension 'h' = 4mm

from 90 teeth dimension 'h' = 6mm

Tooth Radius $r_3 = 13$

Radius size C = 1.3

Tooth width $B_1 = 3.0$

No. Teeth	Outside Diam. de	Pitch Diam. dp	Bore
8	37.2	33.18	8
9	41.5	37.13	8
10	46.2	41.1	8
11	49.6	45.07	8
12	53.9	49.07	8
13	58.4	53.06	8
14	62.8	57.07	8
15	66.8	61.09	8
16	70.9	65.1	10
17	74.9	69.11	10
18	78.9	73.14	10
19	82.9	77.16	10
20	86.9	81.19	10
21	91	85.22	10
22	95	89.24	10
23	99	93.27	10
24	103	97.29	10
25	107.1	101.33	10
26	111.2	105.36	12
27	115.4	109.4	12
28	119.4	113.42	12
29	123.4	117.46	12
30	127.5	121.5	12
31	131.5	125.54	12
32	135.5	129.56	12
33	139.6	133.6	12
34	143.6	137.64	12
35	147.6	141.68	12
36	151.7	145.72	16
37	155.7	149.76	16
38	159.8	153.8	16
39	163.8	157.83	16
40	167.8	161.87	16
41	171.4	165.91	16
42	175.4	169.95	16

All dimensions in mm

Intermediate sizes & special platewheels to drawing up to 1000mm diameter

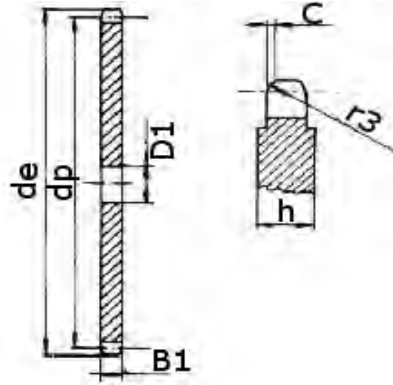
Standard : to DIN 8187 ISO/R 606

Please note : All dimensions including bore sizes subject to change.

If a dimension is critical to your application please contact our sales department for more information

For special sprockets or reworked sprockets please contact our sales department.

Please note : errors and omissions excepted.



Platewheels British Standard

1/2" x 1/8" (081-1)

Steel no hub

from 30 teeth dimension 'h' = 4mm

from 90 teeth dimension 'h' = 6mm

Tooth Radius $r_3 = 13$

Radius size C = 1.3

Tooth width $B_1 = 3.0$

No. Teeth	Outside Diam. de	Pitch Diam. dp	Bore
43	179.5	173.99	16
44	183.5	178.03	16
45	187.5	182.07	16
46	191.6	186.1	20
47	195.6	190.14	20
48	199.7	194.18	20
49	203.7	198.22	20
50	207.8	202.26	20
51	211.8	206.3	20
52	215.9	210.34	20
53	219.9	214.37	20
54	224	218.43	20
55	228	222.46	20
56	232.1	226.5	20
57	236.1	230.54	20
58	240.2	234.58	20
59	244.2	238.62	20
60	248.2	242.66	20
62	256.7	250.75	20
64	264.8	258.82	20
65	268.8	262.86	20
66	272.9	268.9	25
68	280.9	274.99	25
70	289	283.07	25
72	297.1	291.16	25
76	313.3	307.33	25
78	321.4	315.4	25
80	329.4	323.48	25
85	349.7	343.7	25
90	369.9	363.9	25
95	390.1	384.1	25
100	410.3	404.31	25
110	450.7	444.74	25
114	466.9	460.9	25
120	491.2	485.16	25
125	511.4	505.37	25

All dimensions in mm

Intermediate sizes & special platewheels to drawing up to 1000mm diameter

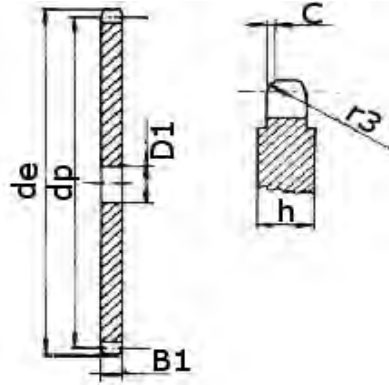
Standard : to DIN 8187 ISO/R 606

Please note : All dimensions including bore sizes subject to change.

If a dimension is critical to your application please contact our sales department for more information

For special sprockets or reworked sprockets please contact our sales department.

Please note : errors and omissions excepted.

**Platewheels British Standard****1/2" x 3/16" (083-1)****Steel no hub**

from 90 teeth dimension 'h' = 6mm

Tooth Radius r3 = 13

Radius size C = 1.3

Tooth width B1 = 4.3 +/- 0.2

No. Teeth	Outside Dia. de	Pitch Dia. dp	D1
8	38.5	33.18	8
9	41.5	37.13	8
10	46.2	41.1	8
11	49.6	45.07	8
12	53.9	49.07	8
13	58.4	53.06	8
14	62.8	57.07	8
15	66.8	61.09	8
16	70.9	65.1	10
17	74.9	69.11	10
18	78.9	73.14	10
19	82.9	77.16	10
20	86.9	81.19	10
21	91	85.22	10
22	95	89.24	10
23	99	93.27	10
24	103	97.29	10
25	107.1	101.33	10
26	111.2	105.36	12
27	115.4	109.4	12
28	119.4	113.42	12
29	123.4	117.46	12
30	127.5	121.5	12
31	131.5	125.54	12
32	135.5	129.56	12
33	139.6	133.6	12
34	143.6	137.64	12
35	147.6	141.68	12
36	151.7	145.72	16
37	155.7	149.76	16
38	159.8	153.8	16
39	163.8	157.83	16
40	167.8	161.87	16
41	171.4	165.91	16
42	175.4	169.95	16

All dimensions in mm

Intermediate sizes & special platewheels to drawing up to 1000mm diameter

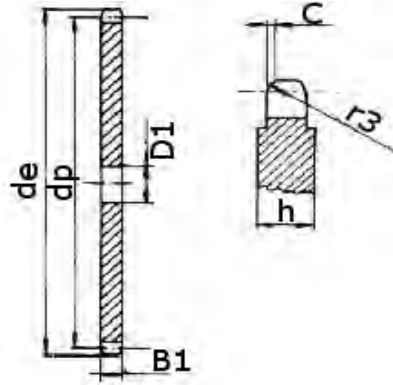
Standard : to DIN 8187 ISO/R 606

Please note : All dimensions including bore sizes subject to change.

If a dimension is critical to your application please contact our sales department for more information

For special sprockets or reworked sprockets please contact our sales department.

Please note : errors and omissions excepted.



Platewheels British Standard

1/2" x 3/16" (083-1)

Steel no hub

No. Teeth	Outside Dia. de	Pitch Dia. dp	D1
43	179.5	173.99	16
44	183.5	178.03	16
45	187.5	182.07	16
46	191.6	186.1	20
47	195.6	190.14	20
48	199.7	194.18	20
49	203.7	198.22	20
50	207.8	202.26	20
51	211.8	206.3	20
52	215.9	210.34	20
53	219.9	214.37	20
54	224	218.43	20
55	228	222.46	20
56	232.1	226.5	20
57	236.1	230.54	20
58	240.2	234.58	20
59	244.2	238.62	20
60	248.2	242.66	20
62	256.7	250.75	20
64	264.8	258.82	20
65	268.8	262.86	20
66	272.9	266.9	25
68	280.9	274.99	25
70	289	283.07	25
72	297.1	291.16	25
76	313.3	307.33	25
78	321.4	315.4	25
80	329.4	323.48	25
85	349.7	343.7	25
90	369.9	363.9	25
95	390.1	384.1	25
100	410.3	404.31	25
110	450.7	444.74	25
114	466.9	460.9	25
120	491.2	485.16	25
125	511.4	505.37	25

from 90 teeth dimension 'h' = 6mm

Tooth Radius r3 = 13

Radius size C = 1.3

Tooth width B1 = 4.3 +/- 0.2

All dimensions in mm

Intermediate sizes & special platewheels to drawing up to 1000mm diameter

Standard : to DIN 8187 ISO/R 606

Please note : All dimensions including bore sizes subject to change.

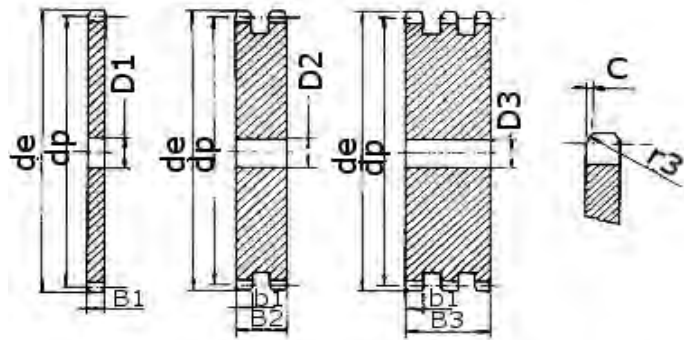
If a dimension is critical to your application please contact our sales department for more information

For special sprockets or reworked sprockets please contact our sales department.

Please note : errors and omissions excepted.



Platewheels British Standard 5/8" x 3/8" (10B) Steel no hub



No. Teeth	Outside Dia. de	Pitch Dia. dp	Simplex D1	Duplex D2	Triplex D3
8	47	41.48	10	12	12
9	52.6	46.42	10	12	12
10	57.5	51.37	10	12	16
11	63	56.34	10	14	16
12	68	61.34	10	14	16
13	73	66.32	10	14	16
14	78	71.34	10	14	16
15	83	76.36	10	14	16
16	88	81.37	12	16	16
17	93	86.38	12	16	16
18	98.3	91.42	12	16	16
19	103.3	96.45	12	16	16
20	108.4	101.49	12	16	16
21	113.4	106.52	12	16	20
22	118	111.55	12	16	20
23	123.5	116.58	12	16	20
24	128.3	121.62	12	16	20
25	134	126.66	12	16	20
26	139	131.7	16	16	20
27	144	136.75	16	16	20
28	148.7	141.78	16	16	20
29	153.8	146.83	16	16	20
30	158.8	151.87	16	16	20
31	163.9	156.92	16	20	20
32	168.9	161.95	16	20	20
33	174.5	167	16	20	20
34	179	172.05	16	20	20
35	184.1	177.1	16	20	20
36	189.1	182.15	20	20	25
37	194.2	187.2	20	20	25
38	199.2	192.24	20	20	25
39	204.2	197.29	20	20	25
40	209.3	202.34	20	20	25
41	214.8	207.39	20	20	25
42	219.9	212.44	20	20	25
43	224.9	217.49	20	20	25

Tooth Radius r3 = 16

Radius size C = 1.6

Tooth width B1 = 9.1

Tooth width b1 = 9.0

Tooth width B2 = 25.5

Tooth width B3 = 42.1

All dimensions in mm

Intermediate sizes & special platewheels to drawing up to 1000mm diameter

Standard : to DIN 8187 ISO/R 606

Please note : All dimensions including bore sizes subject to change.

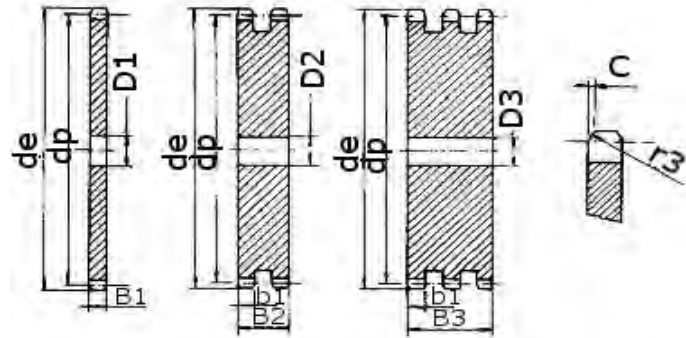
If a dimension is critical to your application please contact our sales department for more information

For special sprockets or reworked sprockets please contact our sales department.

Please note : errors and omissions excepted.



Platewheels British Standard 5/8" x 3/8" (10B) Steel no hub



No. Teeth	Outside Dia. de	Pitch Dia. dp	Simplex D1	Duplex D2	Triplex D3
44	230	222.53	20	20	25
45	235	227.58	20	20	25
46	240.1	232.63	20	25	25
47	245.1	237.68	20	25	25
48	250.2	242.73	20	25	25
49	255.2	247.78	20	25	25
50	260.3	252.82	20	25	25
51	265.3	257.87	20	25	25
52	270.4	262.92	20	25	25
53	275.4	267.97	20	25	25
54	280.5	273.03	20	25	25
55	285.5	278.08	20	25	25
56	290.6	283.13	25	25	25
57	296	288.18	25	25	25
58	300.7	293.23	25	25	25
59	305.7	298.27	25	25	25
60	310.8	303.32	25	25	25
62	321.4	313.43	25	25	30
64	331.5	323.53	25	25	30
65	336.5	328.58	25	25	30
66	341.6	333.63	25	25	30
68	351.7	343.74	25	25	30
70	361.8	353.84	25	25	30
72	371.9	363.95	25	25	30
75	387.1	379.09	25	25	30
76	392.1	384.16	25	25	30
78	402.2	394.25	25	25	30
80	412.3	404.35	25	30	30
85	437.6	429.62	30	30	30
90	462.8	454.88	30	30	30
95	488.5	480.14	30	30	30
100	513.4	505.39	30	30	30
110	563.9	555.92	30	30	30
114	584.1	576.13	30	30	30
120	614.4	606.45	30	30	30
125	639.7	631.51	30	30	30

Tooth Radius r3 = 16

Radius size C = 1.6

Tooth width B1 = 9.1

Tooth width b1 = 9.0

Tooth width B2 = 25.5

Tooth width B3 = 42.1

All dimensions in mm

Intermediate sizes & special platewheels to drawing up to 1000mm diameter

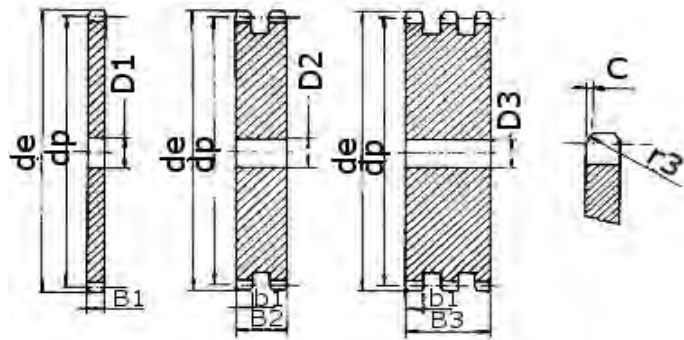
Standard : to DIN 8187 ISO/R 606

Please note : All dimensions including bore sizes subject to change.

If a dimension is critical to your application please contact our sales department for more information

For special sprockets or reworked sprockets please contact our sales department.

Please note : errors and omissions excepted.



Platewheels British Standard

3/4" x 7/16" (12B)

Steel no hub

No. Teeth	Outside Dia. de	Pitch Dia. dp	Simplex D1	Duplex D2	Triplex D3
8	57.6	49.78	12	12	16
9	62	55.7	12	12	16
10	69	61.64	12	12	16
11	75	67.61	14	16	20
12	81.5	73.61	14	16	20
13	87.5	79.59	14	16	20
14	93.6	85.61	14	16	20
15	99.8	91.63	14	16	20
16	105.5	97.65	14	20	20
17	111.5	103.67	14	20	20
18	118	109.71	14	20	20
19	124.2	115.75	14	20	20
20	129.7	121.78	14	20	20
21	136	127.82	16	20	20
22	141.8	133.86	16	20	20
23	149	139.9	16	20	20
24	153.9	145.94	16	20	20
25	160	152	16	20	20
26	165.9	158.04	16	20	20
27	172.3	164.09	16	20	20
28	178	170.13	16	20	20
29	184.1	176.19	16	20	20
30	190.5	182.25	16	20	20
31	196.3	188.31	20	20	25
32	203.3	194.36	20	20	25
33	209.2	200.4	20	20	25
34	214.6	206.46	20	20	25
35	221	212.52	20	20	25
36	226.8	218.58	20	25	25
37	232.9	224.64	20	25	25
38	239	230.69	20	25	25
39	245.1	236.75	20	25	25
40	251.3	242.81	20	25	25
41	257.3	248.87	25	25	25
42	264.5	254.93	25	25	25
43	270.5	260.98	25	25	25

Tooth Radius r3 = 19

Radius size C = 2

Tooth width B1 = 11.1

Tooth width b1 = 10.8

Tooth width B2 = 30.3

Tooth width B3 = 49.8

All dimensions in mm

Intermediate sizes & special platewheels to drawing up to 1000mm diameter

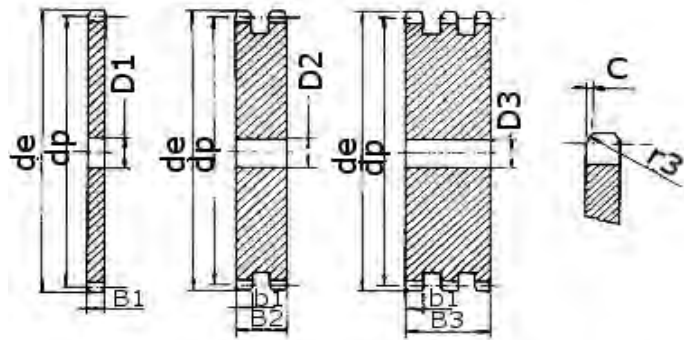
Standard : to DIN 8187 ISO/R 606

Please note : All dimensions including bore sizes subject to change.

If a dimension is critical to your application please contact our sales department for more information

For special sprockets or reworked sprockets please contact our sales department.

Please note : errors and omissions excepted.



Platewheels British Standard

3/4" x 7/16" (12B)

Steel no hub

No. Teeth	Outside Dia. de	Pitch Dia. dp	Simplex D1	Duplex D2	Triplex D3
44	276.5	267.04	25	25	25
45	282.5	273.1	25	25	25
46	287.9	279.16	25	25	25
47	294	285.21	25	25	25
48	300.1	291.27	25	25	25
49	306.2	297.33	25	25	25
50	312.3	303.39	25	25	25
51	318.4	309.45	25	25	25
52	324.5	315.5	25	25	25
53	330.5	321.56	25	25	25
54	336.6	327.64	25	25	25
55	342.7	333.7	25	25	25
56	348.7	339.75	25	25	30
57	355.4	345.81	25	25	30
58	361.5	351.87	25	25	30
59	367.5	357.93	25	25	30
60	373	363.99	25	25	30
62	385.1	376.12	25	30	30
64	397.2	388.24	25	30	30
65	403.2	394.29	25	30	30
66	409.3	400.35	30	30	30
68	421.4	412.49	30	30	30
70	433.6	424.6	30	30	30
72	447	436.74	30	30	30
75	463.9	454.91	30	30	30
76	469.9	460.99	30	30	30
78	482.1	473.1	30	30	30
80	494.2	485.22	30	30	30
85	524.5	515.55	30	30	30
90	554.8	545.86	30	30	30
95	585.1	576.17	30	30	30
100	615.4	606.47	30	30	30
110	676.1	667.11	30	30	30
114	700.6	691.36	30	30	30
120	736.7	727.74	30	30	30
125	767	758.05	30	30	30

Tooth Radius r3 = 19

Radius size C = 2

Tooth width B1 = 11.1

Tooth width b1 = 10.8

Tooth width B2 = 30.3

Tooth width B3 = 49.8

All dimensions in mm

Intermediate sizes & special platewheels to drawing up to 1000mm diameter

Standard : to DIN 8187 ISO/R 606

Please note : All dimensions including bore sizes subject to change.

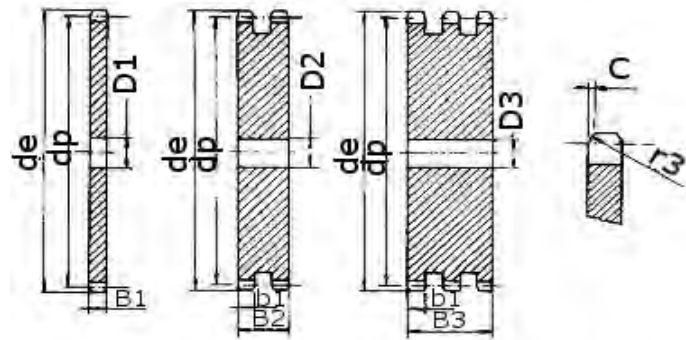
If a dimension is critical to your application please contact our sales department for more information

For special sprockets or reworked sprockets please contact our sales department.

Please note : errors and omissions excepted.



Platewheels British Standard 1" x 17.02mm (16B) Steel no hub



No. Teeth	Outside Dia. de	Pitch Dia. dp	Simplex D1	Duplex D2	Triplex D3
8	77	66.37	14	16	20
9	85	74.27	14	16	20
10	93	82.19	15	16	20
11	99.5	90.14	15	20	25
12	109	98.14	15	20	25
13	117	106.12	15	20	25
14	125	114.15	15	20	25
15	133	122.17	15	20	25
16	141	130.2	19	20	30
17	149	138.22	19	20	30
18	157	146.28	19	20	30
19	165.2	154.33	19	20	30
20	173	162.38	19	20	30
21	181.2	170.43	20	25	30
22	189.3	178.48	20	25	30
23	197.5	186.53	20	25	30
24	205.5	194.59	20	25	30
25	213.5	202.66	20	25	30
26	221.6	210.72	20	25	30
27	229.6	218.79	20	25	30
28	237.7	226.85	20	25	30
29	245.8	234.92	20	25	30
30	254	243	20	25	30
31	262	251.08	25	25	30
32	270	259.13	25	25	30
33	278.5	267.21	25	25	30
34	287	275.28	25	25	30
35	296.2	283.36	25	25	30
36	304.6	291.44	25	25	30
37	312.6	299.51	25	25	30
38	320.7	307.59	25	25	30
39	328.8	315.67	25	25	30
40	336.9	323.75	25	25	30
41	345	331.82	25	-	-
42	353	339.9	25	25	30
43	361.1	347.98	25	25	-

Tooth Radius r3 = 26

Radius size C = 2.5

Tooth width B1 = 16.2

Tooth width b1 = 15.8

Tooth width B2 = 47.7

Tooth width B3 = 79.6

All dimensions in mm

Intermediate sizes & special platewheels to drawing up to 1000mm diameter

Standard : to DIN 8187 ISO/R 606

Please note : All dimensions including bore sizes subject to change.

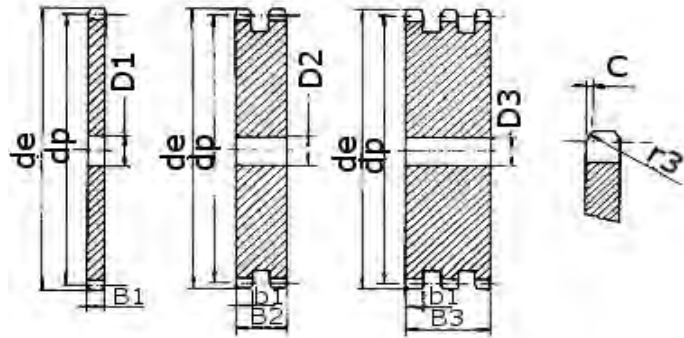
If a dimension is critical to your application please contact our sales department for more information

For special sprockets or reworked sprockets please contact our sales department.

Please note : errors and omissions excepted.



Platewheels British Standard 1" x 17.02mm (16B) Steel no hub



No. Teeth	Outside Dia. de	Pitch Dia. dp	Simplex D1	Duplex D2	Triplex D3
44	369.1	356.06	25	25	30
45	377.1	364.13	25	25	30
46	385.2	372.21	25	30	30
47	393.2	380.29	25	-	-
48	401.3	388.36	25	30	30
49	409.3	396.44	25	-	-
50	417.4	404.52	25	30	30
51	425.5	412.6	30	30	40
52	433.6	420.67	30	30	40
53	441.7	428.75	30	-	-
54	448.3	436.85	30	-	-
55	457.9	444.93	30	30	40
56	466	453.01	30	30	-
57	474	461.07	30	30	40
58	482.1	469.16	30	-	-
59	490.2	477.24	30	-	-
60	498.3	485.32	30	30	40
62	514.5	501.5	30	30	-
64	530.7	517.65	30	-	-
65	538.8	525.73	30	30	40
66	546.8	533.8	30	-	-
68	562.9	549.98	30	30	40
70	579.2	566.14	30	30	40
72	595.4	582.32	30	30	40
75	619.7	606.55	30	30	40
76	627	614.65	30	30	40
78	643.3	630.8	30	-	-
80	660	646.96	30	30	40
85	699.9	687.4	30	30	40
90	740.3	727.81	30	30	40
95	781.1	768.22	30	30	40
100	821.1	808.63	30	30	40
110	902	889.48	30	30	40
114	934.3	921.81	30	40	40
120	982.8	970.33	30	40	40
125	1023.2	1010.7	30	40	40

Tooth Radius r3 = 26

Radius size C = 2.5

Tooth width B1 = 16.2

Tooth width b1 = 15.8

Tooth width B2 = 47.7

Tooth width B3 = 79.6

All dimensions in mm

Intermediate sizes & special platewheels to drawing up to 1000mm diameter

Standard : to DIN 8187 ISO/R 606

Please note : All dimensions including bore sizes subject to change.

If a dimension is critical to your application please contact our sales department for more information

For special sprockets or reworked sprockets please contact our sales department.

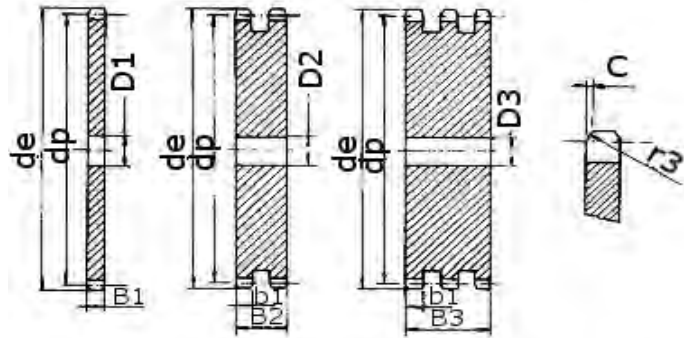
Please note : errors and omissions excepted.



Platewheels British Standard

1 1/4" x 3/4" (20B)

Steel no hub



No. Teeth	Outside Dia. de	Pitch Dia. dp	Simplex D1	Duplex D2	Triplex D3
8	98.1	82.96	16	20	20
9	108	92.84	16	20	20
10	117.9	102.74	16	20	20
11	127.8	112.68	16	20	20
12	137.8	122.68	20	20	20
13	147.8	132.65	20	20	20
14	157.8	142.68	20	20	20
15	167.9	152.72	20	20	20
16	177.9	162.75	25	25	25
17	187.9	172.78	25	25	25
18	198	182.85	25	25	25
19	208.1	192.91	25	25	25
20	218.1	202.98	25	25	25
21	228.2	213.04	25	25	25
22	238.3	223.11	25	25	25
23	248.3	233.17	25	25	25
24	258.4	243.23	25	25	25
25	268.5	253.33	25	25	25
26	278.6	263.4	25	25	25
27	288.6	273.4	25	25	25
28	298.7	283.56	25	25	25
29	308.8	293.65	25	25	25
30	318.9	303.75	25	25	25
31	329	313.85	25	25	30
32	339.1	323.91	25	25	30
33	349.2	334.01	25	25	30
34	359.3	344.1	25	25	30
35	369.4	354.2	25	25	30
36	379.5	364.3	25	30	30
37	389.5	374.39	25	30	30
38	399.6	384.49	25	30	30
39	409.7	394.59	25	30	30
40	419.8	404.68	25	30	30
41	429.9	414.78	30	-	-

Tooth Radius r3 = 32

Radius size C = 3.5

Tooth width B1 = 18.5

Tooth width b1 = 18.2

Tooth width B2 = 54.6

Tooth width B3 = 91

All dimensions in mm

Intermediate sizes & special platewheels to drawing up to 1000mm diameter

Standard : to DIN 8187 ISO/R 606

Please note : All dimensions including bore sizes subject to change.

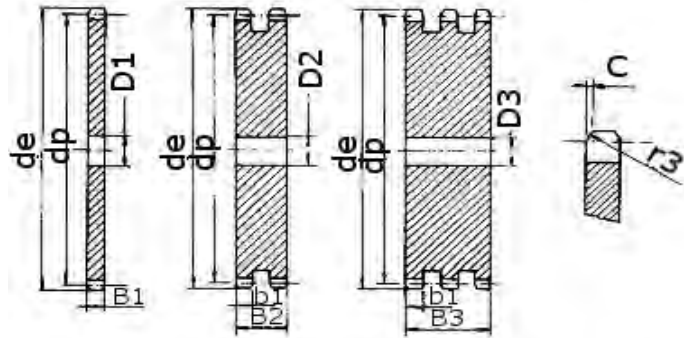
If a dimension is critical to your application please contact our sales department for more information

For special sprockets or reworked sprockets please contact our sales department.

Please note : errors and omissions excepted.



Platewheels British Standard 1 1/4" x 3/4" (20B) Steel no hub



No. Teeth	Outside Dia. de	Pitch Dia. dp	Simplex D1	Duplex D2	Triplex D3
42	440	424.88	30	30	40
43	450.1	434.97	30	-	-
44	460.2	445.07	30	-	-
45	470.3	455.17	30	30	40
46	480.4	465.26	30	30	40
47	490.5	475.36	30	-	-
48	500.6	485.46	30	30	40
49	510.7	495.55	30	-	-
50	520.8	505.65	30	30	40
51	530.9	515.75	30	-	-
52	541	525.84	30	30	40
53	551.1	535.94	30	-	-
54	561.2	546.07	30	-	-
55	571.3	556.16	30	30	40
56	581.4	566.26	30	-	-
57	591.5	576.36	30	30	40
58	601.6	586.45	30	-	-
59	611.7	596.55	30	-	-
60	621.8	606.65	30	30	40
62	642	626.87	30	-	-
64	662.2	647.06	30	-	-
65	672.3	657.16	30	30	40
66	682.4	667.26	30	-	-
68	702.6	687.48	30	-	-
70	722.8	707.67	30	30	40
72	743.1	727.9	30	-	-
75	773.3	758.19	30	-	-
76	783.5	768.32	30	30	40
80	823.9	808.72	30	30	40
85	874.4	859.25	30	-	-
90	924.9	909.76	30	-	-
95	975.4	960.28	30	30	40
100	1026	1010.79	30	-	-
114	1167.4	1152.26	30	40	40

Tooth Radius r3 = 32

Radius size C = 3.5

Tooth width B1 = 18.5

Tooth width b1 = 18.2

Tooth width B2 = 54.6

Tooth width B3 = 91

All dimensions in mm

Intermediate sizes & special platewheels to drawing up to 1000mm diameter

Standard : to DIN 8187 ISO/R 606

Please note : All dimensions including bore sizes subject to change.

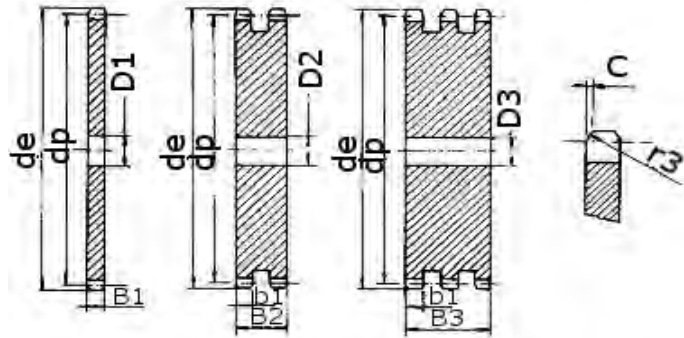
If a dimension is critical to your application please contact our sales department for more information

For special sprockets or reworked sprockets please contact our sales department.

Please note : errors and omissions excepted.



Platewheels British Standard 1 1/2" x 1" (24B) Steel no hub



No. Teeth	Outside Dia. de	Pitch Dia. dp	Simplex D1	Duplex D2	Triplex D3
8	115	99.55	20	25	25
9	126.4	111.4	20	25	25
10	138	123.29	20	25	25
11	150	135.21	20	25	25
12	162	147.22	20	25	25
13	174.2	159.18	20	25	25
14	186.2	171.22	20	25	25
15	198.2	183.26	20	25	25
16	210.3	195.3	25	25	25
17	222.3	207.34	25	25	25
18	234.3	219.42	25	25	25
19	246.5	231.49	25	25	25
20	258.6	243.57	25	25	25
21	270.6	255.65	25	25	30
22	282.7	267.73	25	25	30
23	294.8	279.8	25	25	30
24	306.8	291.88	25	25	30
25	319	304	25	25	30
26	331	316.08	30	30	30
27	343.2	328.19	30	30	30
28	355.2	340.27	30	30	30
29	367.3	352.38	30	30	30
30	379.5	364.5	30	30	40
31	391.6	376.62	30	30	-
32	403.7	388.69	30	30	40
33	415.8	400.81	30	30	40
34	427.8	412.93	30	30	40
35	440	425.04	30	30	40
36	452	437.16	30	30	40
37	464.2	449.27	30	30	-
38	476.2	461.39	30	30	40
39	488.5	473.5	30	30	-
40	500.6	485.62	30	30	40

Tooth Radius r3 = 38

Radius size C = 4

Tooth width B1 = 24.1

Tooth width b1 = 23.6

Tooth width B2 = 72

Tooth width B3 = 120.3

All dimensions in mm

Intermediate sizes & special platewheels to drawing up to 1000mm diameter

Standard : to DIN 8187 ISO/R 606

Please note : All dimensions including bore sizes subject to change.

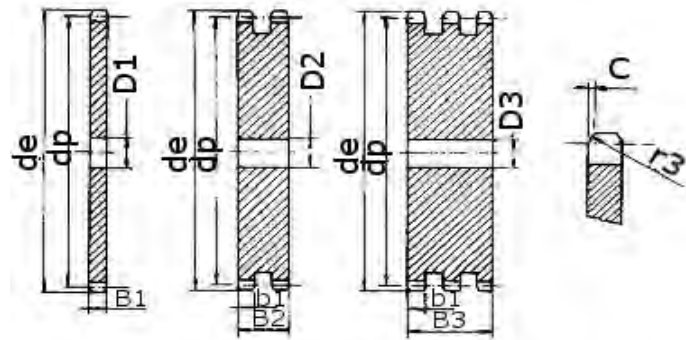
If a dimension is critical to your application please contact our sales department for more information

For special sprockets or reworked sprockets please contact our sales department.

Please note : errors and omissions excepted.



Platewheels British Standard 1 1/2" x 1" (24B) Steel no hub



No. Teeth	Outside Dia. de	Pitch Dia. dp	Simplex D1	Duplex D2	Triplex D3
41	512.6	497.74	30	-	-
42	524.7	509.85	30	40	40
43	536.8	521.97	30	-	-
44	549	534.08	30	-	-
45	561.2	546.2	30	40	40
46	573.3	558.32	30	40	40
47	585.4	570.43	30	-	-
48	597.4	582.55	30	40	40
49	609.5	594.66	30	-	-
50	621.7	606.78	30	40	40
51	633.8	618.89	30	-	-
52	646	631.01	30	-	-
53	658	643.13	30	-	-
54	670.2	655.28	30	-	-
55	682.3	667.4	30	40	40
56	694.4	679.51	30	-	-
57	706.5	691.63	30	40	40
58	718.6	703.74	30	-	-
59	730.7	715.86	30	-	-
60	742.8	727.97	30	40	40
62	767.2	752.24	40	-	-
64	791.3	776.48	40	-	-
65	803.4	788.59	40	40	40
66	815.6	800.71	40	-	-
68	839.8	824.98	40	-	-
70	864.2	849.21	40	-	-
72	888.4	873.48	40	-	-
75	924.8	909.83	40	-	-
76	936.9	921.98	40	40	40
80	985.4	970.44	40	-	-
85	1046	1031.1	40	-	-
95	1167.3	1152.33	40	-	-

Tooth Radius r3 = 38

Radius size C = 4

Tooth width B1 = 24.1

Tooth width b1 = 23.6

Tooth width B2 = 72

Tooth width B3 = 120.3

All dimensions in mm

Intermediate sizes & special platewheels to drawing up to 1000mm diameter

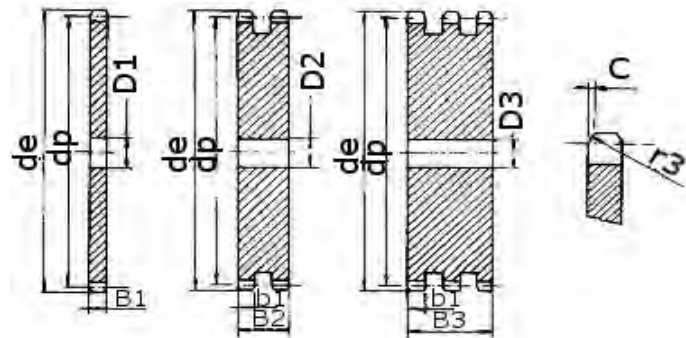
Standard : to DIN 8187 ISO/R 606

Please note : All dimensions including bore sizes subject to change.

If a dimension is critical to your application please contact our sales department for more information

For special sprockets or reworked sprockets please contact our sales department.

Please note : errors and omissions excepted.



Platewheels British Standard

1 3/4" x 1 1/4" (28B)

Steel no hub

No. Teeth	Outside Dia. de	Pitch Dia. dp	Simplex D1	Duplex D2	Triplex D3
8	132	116.15	25	25	25
9	148.4	129.96	25	25	25
10	162.3	143.85	25	25	25
11	176.3	157.77	25	25	30
12	189.5	171.74	25	25	30
13	204.2	185.75	25	25	30
14	218.2	199.76	25	25	30
15	232.3	213.79	25	25	30
16	246.3	227.84	30	30	30
17	260	241.91	30	30	30
18	274	255.98	30	30	30
19	289	270.06	30	30	30
20	303	284.15	30	30	30
21	317	298.24	30	30	30
22	331	312.34	30	30	30
23	345	326.44	30	30	30
24	359	340.55	30	30	30
25	373	354.66	30	30	40
26	387	368.77	30	30	40
27	401.4	382.88	30	30	40
28	416	397	30	30	40
29	430	411.12	30	30	-
30	444	425.24	30	30	40
31	458	439.37	30	-	-
32	472	453.49	30	-	-
33	486	467.62	30	-	-
34	500	481.75	30	-	-
35	514	495.88	30	30	40
36	529	510.01	30	-	-
37	543	524.14	30	-	-
38	557	538.27	30	30	40
39	571	552.4	30	-	-
40	585	566.54	30	30	40
45	656	637.22	30	30	40
50	726	707.91	30	30	40
57	825	806.9	40	40	40
60	869	849.32	40	40	40
76	1095	1075.62	40	40	40

Tooth Radius r3 = 44

Radius size C = 5

Tooth width B1 = 29.4

Tooth width b1 = 29.8

Tooth width B2 = 88.4

Tooth width B3 = 148

All dimensions in mm

Intermediate sizes & special platewheels to drawing up to 1000mm diameter

Standard : to DIN 8187 ISO/R 606

Please note : All dimensions including bore sizes subject to change.

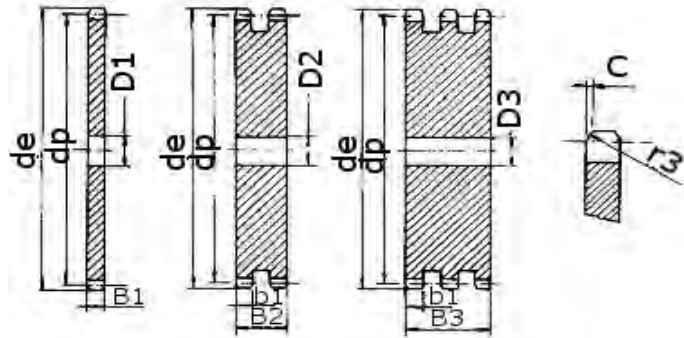
If a dimension is critical to your application please contact our sales department for more information

For special sprockets or reworked sprockets please contact our sales department.

Please note : errors and omissions excepted.



Platewheels British Standard
2" x 1 1/4" (32B)
Steel no hub



No. Teeth	Outside Dia. de	Pitch Dia. dp	Simplex D1	Duplex D2	Triplex D3
8	153.2	132.69	25	25	25
9	169	148.54	25	25	25
10	185	164.44	25	25	25
11	200.8	180.34	30	30	30
12	216.8	196.29	30	30	30
13	232.8	212.29	30	30	30
14	248.8	228.29	30	30	30
15	264.8	244.3	30	30	30
16	280.9	260.4	30	30	30
17	296.9	276.4	30	30	30
18	313	292.55	30	30	30
19	329.1	308.66	30	30	30
20	345.2	324.71	30	30	30
21	361.3	340.82	30	30	40
22	377.5	356.98	30	30	40
23	393.6	373.08	30	30	40
24	409.7	389.18	30	30	40
25	425.8	405.33	30	30	40
26	441.9	421.44	30	30	40
27	458.1	437.59	30	30	40
28	474.2	453.69	30	30	40
29	490.4	469.9	30	-	-
30	506.5	486	30	30	40
32	538.8	518.26	30	-	-
35	589.5	566.72	30	30	40
38	635.5	615.14	30	30	40
40	670.3	647.49	40	40	40
45	751	728.26	40	40	40
50	831.8	809.04	40	40	40
57	945	922.17	40	40	40
60	993.4	970.63	40	40	40
76	1252	1229.28	40	40	40

Tooth Radius r3 = 51
 Radius size C = 5
 Tooth width B1 = 29.4
 Tooth width b1 = 29.8
 Tooth width B2 = 87.4
 Tooth width B3 = 146

All dimensions in mm

Intermediate sizes & special platewheels to drawing up to 1000mm diameter

Standard : to DIN 8187 ISO/R 606

Please note : All dimensions including bore sizes subject to change.

If a dimension is critical to your application please contact our sales department for more information

For special sprockets or reworked sprockets please contact our sales department.

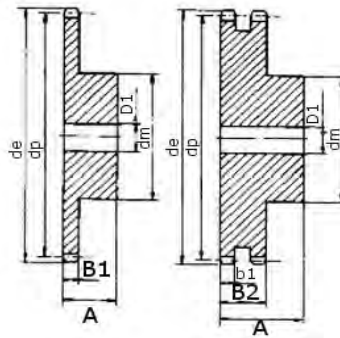
Please note : errors and omissions excepted.



Sprockets ASA 35

3/8" x 3/16"

Steel with hub



No. Teeth	Outside Dia. de	Pitch Dia. dp	Simplex			Duplex		
			dm	D1	A	dm	D1	A
9	32.7	27.84	18	8	22	-	-	-
10	35.7	30.82	20	8	22	20	8	22
11	38.7	33.8	22	8	25	-	-	-
12	41.7	36.8	25	8	25	-	-	-
13	44.7	39.8	28	10	25	28	10	25
14	47.7	42.8	31	10	25	31	10	25
15	50.7	45.81	34	10	25	34	10	25
16	53.7	48.82	37	10	28	37	12	30
17	56.7	51.83	38	10	28	40	12	30
18	59.7	54.85	38	10	28	43	12	30
19	62.8	57.87	46	10	28	46	12	30
20	65.8	60.89	46	10	28	49	12	30
21	68.8	63.91	46	10	28	52	12	30
22	71.8	66.93	52	12	28	55	12	30
23	74.8	69.95	52	12	28	58	12	30
24	77.9	72.97	52	12	28	61	12	30
25	80.9	76	58	12	28	64	12	30
26	83.9	79.02	58	12	28	67	12	30
27	86.9	82.04	58	12	28	70	12	30
28	90	85.07	60	12	28	73	12	30
29	93	88.1	60	12	28	-	-	-
30	96	91.12	60	12	28	-	-	-
36	114.56	109.24	70	16	30	-	-	-
38	120.66	115.28	70	16	30	-	-	-
40	126.75	121.32	70	16	30	-	-	-

Tooth Radius $r_3 = 10$

Radius size C = 1.2

Tooth width $B_1 = 4.4$

Tooth width $b_1 = 4.3$

Tooth width $B_2 = 14.4$

All dimensions in mm

Intermediate sizes & special sprockets to drawing up to 1000mm diameter

Standard : to DIN 8187 ISO/R 606

Please note : All dimensions including bore sizes subject to change.

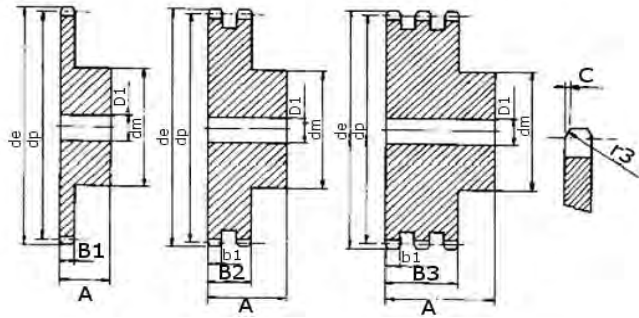
If a dimension is critical to your application please contact our sales department for confirmation.

For special sprockets or reworked sprockets please contact our sales department.

Please note : errors and omissions excepted



Sprockets A.S.A 40
1/2" x 5/16"
Steel with hub



No. Teeth	Outside Dia. de	Pitch Dia. dp	Simplex			Duplex			Triplex		
			dm	D1	A	dm	D1	A	dm	D1	A
10	47.66	41.1	26	10	25	-	-	-	-	-	-
11	51.64	45.08	29	10	25	-	-	-	-	-	-
12	55.63	49.07	35	10	28	35	14	50	-	-	-
13	59.63	53.07	35	10	28	38	12	35	38	14	50
14	63.63	57.07	35	10	28	42	12	35	42	14	50
15	67.64	61.08	46	10	28	46	12	35	46	14	50
16	71.66	65.1	48	10	28	50	14	35	50	16	50
17	75.68	69.12	48	10	28	54	14	35	54	16	50
18	79.7	73.14	58	12	28	58	14	35	58	16	50
19	83.72	77.16	60	12	28	62	14	35	62	16	50
20	87.74	81.18	60	12	28	66	14	35	66	16	50
21	91.77	85.21	65	12	28	70	16	40	70	20	55
22	95.8	89.24	65	12	28	70	16	40	70	20	55
23	99.83	93.27	65	12	28	70	16	40	70	20	55
24	103.86	97.3	70	14	28	75	16	40	75	20	55
25	107.89	101.33	70	14	28	80	16	40	80	20	55
26	111.92	105.36	70	14	28	85	20	40	85	20	55
27	115.96	109.4	70	16	30	85	20	40	85	20	55
28	119.99	113.43	70	16	30	90	20	40	90	20	55
29	124.46	117.46	80	15	30	-	-	-	-	-	-
30	128.06	121.5	80	16	30	100	20	40	-	-	-
32	136.13	129.57	80	16	30	-	-	-	-	-	-
35	148.24	141.68	90	16	30	-	-	-	-	-	-
36	152.28	145.72	90	16	30	-	-	-	-	-	-
38	160.35	153.79	90	16	35	-	-	-	-	-	-
40	168.43	161.87	90	16	35	-	-	-	-	-	-

Tooth Radius $r_3 = 13.5$
 Radius size C = 1.6
 Tooth width $B_1 = 7.4$
 Tooth width $b_1 = 7.2$
 Tooth width $B_2 = 21.6$
 Tooth width $B_3 = 36.0$

All dimensions in mm

Intermediate sizes & special sprockets to drawing up to 1000mm diameter

Standard : to DIN 8187 ISO/R 606

Please note : All dimensions including bore sizes subject to change.

If a dimension is critical to your application please contact our sales department for confirmation.

For special sprockets or reworked sprockets please contact our sales department.

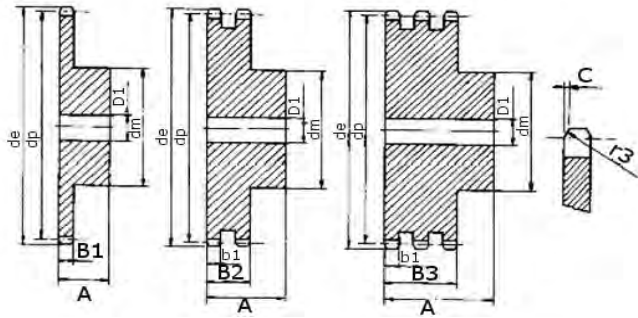
Please note : errors and omissions excepted



Sprockets ASA 50

5/8" x 3/8"

Steel with hub



No. Teeth	Outside Dia. de	Pitch Dia. dp	Simplex			Duplex			Triplex		
			dm	D1	A	dm	D1	A	dm	D1	A
8	47	41.48	25	10	25	-	-	-	-	-	-
9	52.6	46.42	30	10	25	-	-	-	-	-	-
10	57.5	51.37	35	10	25	-	-	-	-	-	-
11	63	56.34	37	12	30	-	-	-	-	-	-
12	68	61.34	42	12	30	44	16	55	-	-	-
13	73	66.32	47	12	30	49	14	40	49	16	55
14	78	71.34	52	12	30	54	14	40	54	16	55
15	83	76.36	57	12	30	59	14	40	59	16	55
16	88	81.37	60	12	30	64	16	45	64	16	60
17	93	86.39	60	12	30	69	16	45	69	16	60
18	98.3	91.42	70	14	30	74	16	45	74	16	60
19	103.3	96.45	70	14	30	79	16	45	79	16	60
20	108.4	101.49	75	14	30	84	16	45	84	16	60
21	113.4	106.52	75	16	30	85	16	45	85	20	60
22	118	111.55	80	16	30	90	16	45	90	20	60
23	123.4	116.58	80	16	30	95	16	45	95	20	60
24	128.3	121.62	80	16	30	100	16	45	100	20	60
25	134	126.66	80	16	30	105	16	45	105	20	60
26	139	131.7	85	20	35	110	20	60	-	-	-
27	144	136.75	85	20	35	110	20	60	-	-	-
28	148.7	141.78	90	20	35	115	20	60	-	-	-
29	153.8	146.83	90	20	35	-	-	-	-	-	-
30	158.8	151.87	90	20	35	-	-	-	-	-	-
31	163.9	156.92	95	20	35	-	-	-	-	-	-
32	168.9	161.95	95	20	35	-	-	-	-	-	-
33	174.5	167	95	20	35	-	-	-	-	-	-
34	179	172.05	95	20	35	-	-	-	-	-	-
35	184.1	177.1	95	20	35	-	-	-	-	-	-
36	189.1	182.15	100	20	35	-	-	-	-	-	-
37	194.2	187.2	100	20	35	-	-	-	-	-	-
38	199.2	192.24	100	20	35	-	-	-	-	-	-
39	204.2	197.29	100	20	35	-	-	-	-	-	-
40	209.3	202.34	100	20	35	-	-	-	-	-	-

Tooth Radius $r_3 = 17$

Radius size C = 2

Tooth width $B_1 = 9$

Tooth width $b_1 = 8.8$

Tooth width $B_2 = 26.9$

Tooth width $B_3 = 45.0$

All dimensions in mm

Intermediate sizes & special sprockets to drawing up to 1000mm diameter

Standard : to DIN 8187 ISO/R 606

Please note : All dimensions including bore sizes subject to change.

If a dimension is critical to your application please contact our sales department for confirmation.

For special sprockets or reworked sprockets please contact our sales department.

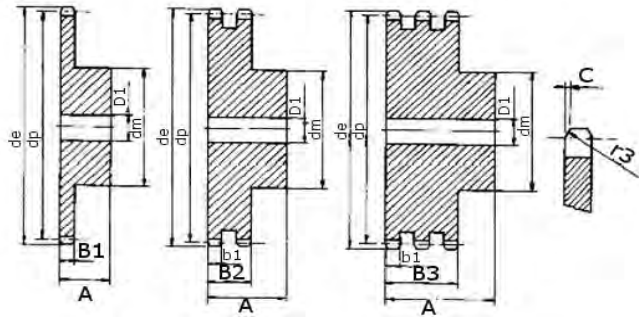
Please note : errors and omissions excepted



Sprockets A.S.A 60

3/4" x 1/2"

Steel with hub



No. Teeth	Outside Dia. de	Pitch Dia. dp	Simplex			Duplex			Triplex		
			dm	D1	A	dm	D1	A	dm	D1	A
8	57.04	46.14	31	12	30	-	-	-	-	-	-
9	63.75	53.85	37	12	30	-	-	-	-	-	-
10	71.54	61.64	42	12	30	42	12	45	-	-	-
11	77.51	67.61	45	12	30	47	16	50	-	-	-
12	83.49	73.61	45	12	30	53	16	50	53	20	70
13	89.49	79.59	60	14	35	59	16	50	59	20	70
14	95.5	85.61	60	14	35	65	16	50	65	20	70
15	101.52	91.63	60	14	35	71	16	50	71	20	70
16	107.54	97.65	75	16	35	77	20	50	77	20	70
17	113.56	103.67	75	16	35	83	20	50	83	20	70
18	119.59	109.71	75	16	35	89	20	50	89	20	70
19	125.63	115.75	80	16	35	95	20	50	95	20	70
20	131.67	121.78	80	16	35	100	20	50	100	20	70
21	137.71	127.82	80	16	35	100	20	50	100	20	70
22	143.75	133.86	90	20	40	100	20	50	100	20	70
23	149.79	139.9	90	20	40	110	20	50	110	20	70
24	155.84	145.94	90	20	40	110	20	50	110	20	70
25	161.88	152	90	20	40	120	20	50	120	20	70
26	167.93	158.04	90	20	40	120	20	50	-	-	-
27	173.98	164.09	90	20	40	120	20	50	-	-	-
28	180.03	170.13	95	20	40	120	20	50	-	-	-
29	186.9	176.19	95	20	40	-	-	-	-	-	-
30	192.14	182.25	95	20	40	120	20	50	-	-	-

Tooth Radius $r_3 = 20$

Radius size C = 2.4

Tooth width $B_1 = 12$

Tooth width $b_1 = 11.8$

Tooth width $B_2 = 34.6$

Tooth width $B_3 = 57.4$

All dimensions in mm

Intermediate sizes & special sprockets to drawing up to 1000mm diameter

Standard : to DIN 8187 ISO/R 606

Please note : All dimensions including bore sizes subject to change.

If a dimension is critical to your application please contact our sales department for confirmation.

For special sprockets or reworked sprockets please contact our sales department.

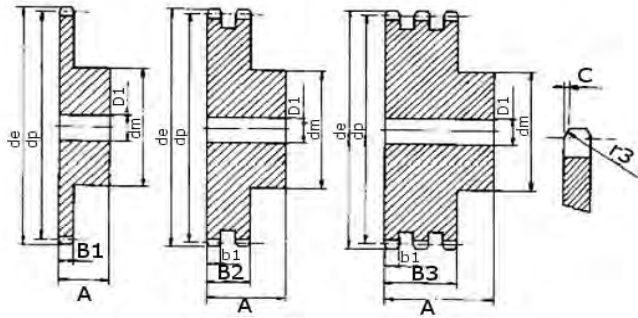
Please note : errors and omissions excepted.



Sprockets A.S.A 80

1" x 5/8"

Steel with hub



No. Teeth	Outside Dia. de	Pitch Dia. dp	Simplex			Duplex			Triplex		
			dm	D1	A	dm	D1	A	dm	D1	A
8	79.49	66.37	42	16	35	-	-	-	-	-	-
9	87.38	74.27	50	16	35	-	-	-	-	-	-
10	95.32	82.19	55	16	35	-	-	-	-	-	-
11	103.28	90.14	61	16	40	-	-	-	-	-	-
12	111.26	98.14	69	16	40	72	20	70	72	25	100
13	119.26	106.12	78	16	40	78	20	70	78	25	100
14	127.27	114.15	84	16	40	86	20	70	86	25	100
15	135.29	122.17	92	16	40	94	20	70	94	25	100
16	143.32	130.2	100	20	45	102	20	70	102	30	100
17	151.35	138.22	100	20	45	110	20	70	110	30	100
18	159.39	146.28	100	20	45	118	20	70	118	30	100
19	167.44	154.33	100	20	45	126	20	70	126	30	100
20	175.49	162.38	100	20	45	130	20	70	130	30	100
21	183.54	170.43	110	20	50	130	25	70	-	-	-
22	191.6	178.48	110	20	50	-	-	-	-	-	-
23	199.66	186.53	110	20	50	-	-	-	-	-	-
24	207.72	194.59	110	20	50	-	-	-	-	-	-
25	215.78	202.66	110	20	50	-	-	-	-	-	-
26	223.84	210.72	120	20	50	-	-	-	-	-	-
27	231.91	218.79	120	20	50	-	-	-	-	-	-
28	239.98	226.85	120	20	50	-	-	-	-	-	-
29	248.05	234.92	120	20	50	-	-	-	-	-	-
30	256.12	243	120	20	50	-	-	-	-	-	-
40	338.07	323.75	120	25	50	-	-	-	-	-	-

Tooth Radius $r_3 = 27$

Radius size C = 3.2

Tooth width $B_1 = 15$

Tooth width $b_1 = 14.7$

Tooth width $B_2 = 44.0$

Tooth width $B_3 = 73.3$

All dimensions in mm

Intermediate sizes & special sprockets to drawing up to 1000mm diameter

Standard : to DIN 8187 ISO/R 606

Please note : All dimensions including bore sizes subject to change.

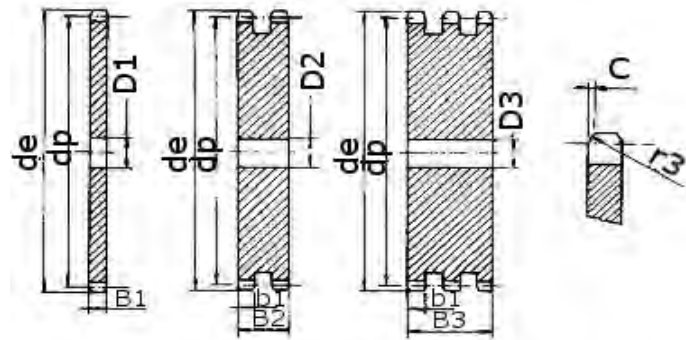
If a dimension is critical to your application please contact our sales department for confirmation.

For special sprockets or reworked sprockets please contact our sales department.

Please note : errors and omissions excepted.



Platewheels A.S.A 35
3/8" x 3/16"
Steel no hub



No. Teeth	Outside Dia. de	Pitch Dia. dp	Simplex D1	Duplex D2
30	96	91.12	12	-
32	102.1	97.17	12	-
36	114.2	109.29	12	-
38	120.2	115.34	12	14
40	126.3	121.4	12	-
45	141.4	136.55	16	16
48	150.5	145.64	16	-
57	177.8	172.91	16	16
76	235.4	230.49	20	20

Tooth Radius r3 = 10

Radius size C = 1.2

Tooth width B1 = 4.4

Tooth width b1 = 4.3

Tooth width B2 = 14.4

All dimensions in mm

Intermediate sizes & special platewheels to drawing up to 1000mm diameter

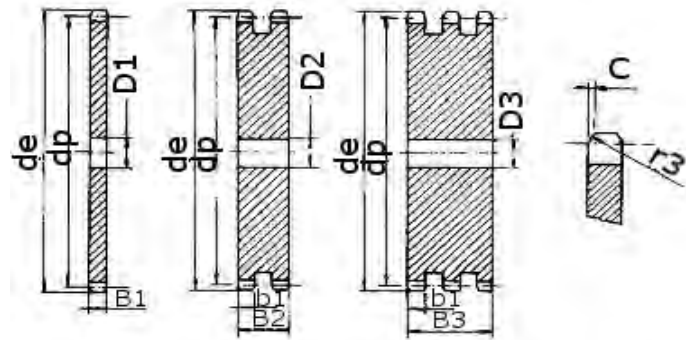
Standard : to DIN 8187 ISO/R 606

Please note : All dimensions including bore sizes subject to change.

If a dimension is critical to your application please contact our sales department for more information

For special sprockets or reworked sprockets please contact our sales department.

Please note : errors and omissions excepted.

**Platewheels A.S.A 40****1/2" x 5/16"****Steel no hub**

No. Teeth	Outside Dia. de	Pitch Dia. dp	Simplex D1	Duplex D2	Triplex D3
19	83.72	77.16	10	-	-
30	128.06	121.5	20	-	-
32	136.13	129.57	16	-	-
38	160.35	153.79	20	25	-
40	168.43	161.87	20	-	-
42	176.5	169.94	20	-	-
45	188.62	182.06	20	20	25
48	200.74	194.18	20	-	-
57	237.1	230.54	20	25	25
64	271.12	260.62	25	-	-
76	313.88	307.32	25	25	25
95	390.67	384.11	25	-	-

Tooth Radius $r_3 = 13.5$

Radius size C = 1.6

Tooth width B1 = 7.4

Tooth width b1 = 7.2

Tooth width B2 = 21.6

Tooth width B3 = 36.0

All dimensions in mm

Intermediate sizes & special platewheels to drawing up to 1000mm diameter

Standard : to DIN 8187 ISO/R 606

Please note : All dimensions including bore sizes subject to change.

If a dimension is critical to your application please contact our sales department for more information

For special sprockets or reworked sprockets please contact our sales department.

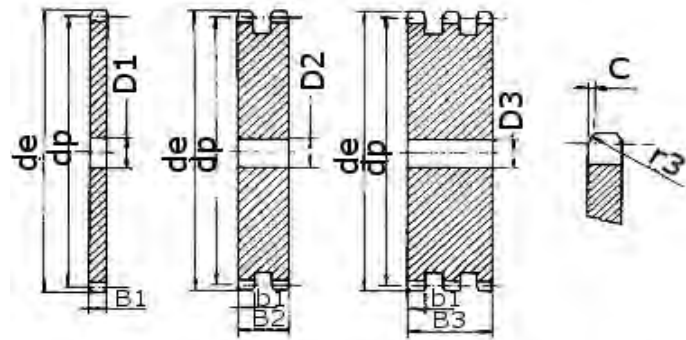
Please note : errors and omissions excepted.



Platewheels A.S.A 50

5/8" x 3/8"

Steel no hub



No. Teeth	Outside Diam. de	Pitch Diam. dp	Simplex D1	Duplex D2	Triplex D3
8	47	41.48	10	-	-
9	52.6	46.42	10	-	-
10	57.5	51.37	10	-	-
11	63	56.34	10	-	-
12	68	61.34	10	-	-
13	73	66.32	10	-	-
14	78	71.34	10	-	-
15	83	76.36	10	-	-
16	88	81.37	12	-	-
17	93	86.38	12	-	-
18	98.3	91.42	12	-	-
19	103.3	96.45	12	-	-
20	108.4	101.49	12	-	-
21	113.4	106.52	12	-	-
22	118	111.55	12	-	-
23	123.5	116.58	12	-	-
24	128.3	121.62	12	-	-
25	134	126.66	12	-	-
26	139	131.7	16	-	-
27	144	136.75	16	-	-
28	148.7	141.78	16	-	-
29	153.8	146.83	16	-	-
30	158.8	151.87	16	20	20
31	163.9	156.92	16	-	-
32	168.9	161.95	16	-	-
33	174.5	167	16	-	-
34	179	172.05	16	-	-
35	184.1	177.1	16	-	-
36	189.1	182.15	20	-	-
37	194.2	187.2	20	-	-
38	199.2	192.24	20	20	25
39	204.2	197.29	20	-	-
40	209.3	202.34	20	-	-
41	214.8	207.39	20	-	-
42	219.9	212.44	20	-	-
43	224.9	217.49	20	-	-

Tooth Radius $r_3 = 17$

Radius size C = 2

Tooth width $B_1 = 9$

Tooth width $b_1 = 8.8$

Tooth width $B_2 = 26.9$

Tooth width $B_3 = 45.0$

All dimensions in mm

Intermediate sizes & special platewheels to drawing up to 1000mm diameter

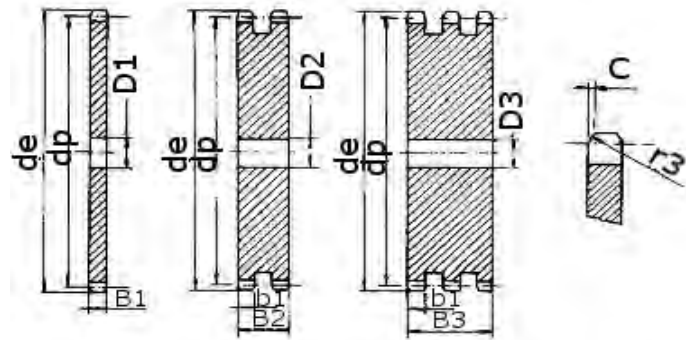
Standard : to DIN 8187 ISO/R 606

Please note : All dimensions including bore sizes subject to change.

If a dimension is critical to your application please contact our sales department for more information

For special sprockets or reworked sprockets please contact our sales department.

Please note : errors and omissions excepted.

**Platewheels A.S.A 50****5/8" x 3/8"****Steel no hub**

No. Teeth	Outside Diam. de	Pitch Diam. dp	Simplex D1	Duplex D2	Triplex D3
44	230	222.53	20	-	-
45	235	227.58	20	20	25
46	240.1	232.63	20	-	-
47	245.1	237.68	20	-	-
48	250.2	242.73	20	-	-
49	255.2	247.78	20	-	-
50	260.3	252.82	20	-	-
51	265.3	257.87	20	-	-
52	270.4	262.92	20	-	-
53	275.4	267.97	20	-	-
54	280.5	273.03	20	-	-
55	285.5	278.08	20	-	-
56	290.6	283.13	25	-	-
57	296	288.18	25	25	25
58	300.7	293.23	25	-	-
59	305.7	298.27	25	-	-
60	310.8	303.32	25	-	-
62	321.4	313.43	25	-	-
64	331.5	323.53	25	-	-
65	336.5	328.58	25	-	-
66	341.6	333.63	25	-	-
68	351.7	343.74	25	-	-
70	361.8	353.84	25	-	-
72	371.9	363.95	25	-	-
75	387.1	379.09	25	-	-
76	392.1	384.16	25	25	30
78	402.2	394.25	25	-	-
80	412.3	404.35	25	-	-
85	437.6	429.62	30	-	-
90	462.8	454.88	30	-	-
95	488.5	480.14	30	30	-
100	513.4	505.39	30	-	-
110	563.9	555.92	30	-	-
114	584.1	576.13	30	-	-
120	614.4	606.45	30	-	-
125	639.7	631.51	30	-	-

Tooth Radius $r_3 = 17$
 Radius size C = 2
 Tooth width $B_1 = 9$
 Tooth width $b_1 = 8.8$
 Tooth width $B_2 = 26.9$
 Tooth width $B_3 = 45.0$

All dimensions in mm

Intermediate sizes & special platewheels to drawing up to 1000mm diameter

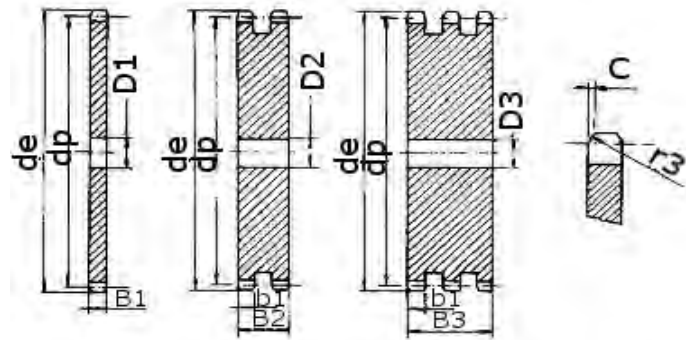
Standard : to DIN 8187 ISO/R 606

Please note : All dimensions including bore sizes subject to change.

If a dimension is critical to your application please contact our sales department for more information

For special sprockets or reworked sprockets please contact our sales department.

Please note : errors and omissions excepted.

**Platewheels A.S.A 60****3/4" x 1/2"****Steel no hub**

No. Teeth	Outside Diam. de	Pitch Diam. dp	Simplex D1	Duplex D2	Triplex D3
30	192.14	182.25	-	-	20
32	204.24	194.35	-	20	-
38	240.58	230.69	20	25	25
40	252.69	242.8	20	25	-
45	282.98	273.09	25	25	25
48	301.16	291.27	25	-	-
57	355.7	345.81	25	25	30
76	470.87	460.98	30	30	30
95	586.06	576.17	-	30	-

Tooth Radius $r_3 = 20$

Radius size C = 2.4

Tooth width $B_1 = 12$ Tooth width $b_1 = 11.8$ Tooth width $B_2 = 34.6$ Tooth width $B_3 = 57.4$

All dimensions in mm

Intermediate sizes & special platewheels to drawing up to 1000mm diameter

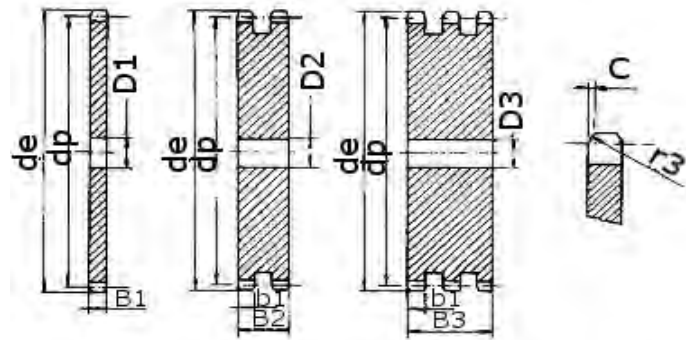
Standard : to DIN 8187 ISO/R 606

Please note : All dimensions including bore sizes subject to change.

If a dimension is critical to your application please contact our sales department for more information

For special sprockets or reworked sprockets please contact our sales department.

Please note : errors and omissions excepted.

**Platewheels A.S.A 80****1" x 5/8"****Steel no hub**

No. Teeth	Outside Dia. de	Pitch Dia. dp	Simplex D1	Duplex D2	Triplex D3
10	95.32	82.19	15	-	-
11	103.28	90.14	15	-	-
12	111.26	98.14	15	-	-
13	119.26	106.12	15	-	-
14	127.27	114.15	15	-	-
15	135.29	122.17	15	-	-
16	143.32	130.2	19	-	-
17	151.35	138.22	19	-	-
18	159.39	146.28	19	-	-
19	167.44	154.33	19	-	-
20	175.49	162.38	19	-	-
21	183.54	170.43	20	-	-
22	191.6	178.48	20	-	-
23	199.66	186.53	20	-	-
24	207.72	194.59	20	-	-
25	215.78	202.66	20	25	30
26	223.84	210.72	20	-	-
27	231.91	218.79	20	-	-
28	239.98	226.85	20	-	-
30	256.12	243	20	25	30
32	272.26	259.13	25	-	-
35	296.48	283.36	25	-	-
38	320.7	307.59	25	25	30
45	377.24	364.12	25	25	30
50	417.64	404.52	25	-	-
57	474.2	461.08	25	25	40
76	627.8	614.64	25	25	40

Tooth Radius r3 = 27

Radius size C = 3.2

Tooth width B1 = 15

Tooth width b1 = 14.7

Tooth width B2 = 44.0

Tooth width B3 = 73.3

All dimensions in mm

Intermediate sizes & special platewheels to drawing up to 1000mm diameter

Standard : to DIN 8187 ISO/R 606

Please note : All dimensions including bore sizes subject to change.

If a dimension is critical to your application please contact our sales department for more information

For special sprockets or reworked sprockets please contact our sales department.

Please note : errors and omissions excepted.



ASHLEY POWER



Notes