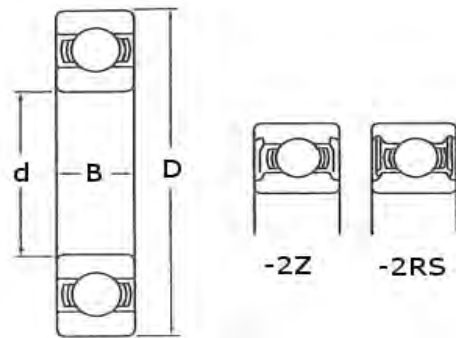


Single Row Radial Ball Bearings Metric

Primary Dimensions			Bearing Code	Variants		
d	D	B		OPEN	ZZ	-2RS
mm						
10	19	5	61800	*	*	*
	22	6	61900	*	*	*
	26	8	6000	*	*	*
	30	9	6200	*	*	*
	35	11	6300	*	*	*
12	21	5	61801	*	*	*
	24	6	61901	*	*	*
	28	8	6001	*	*	*
	32	10	6201	*	*	*
	37	12	6301	*	*	*
15	24	5	61802	*	*	*
	28	7	61902	*	*	*
	32	9	6002	*	*	*
	35	11	6202	*	*	*
	42	13	6302	*	*	*
17	26	5	61803	*	*	*
	30	7	61903	*	*	*
	35	10	6003	*	*	*
	40	12	6203	*	*	*
	47	14	6303	*	*	*
	62	17	6403	*	*	*
20	32	7	61804	*	*	*
	37	9	61904	*	*	*
	42	8	16004	*	*	*
	42	12	6004	*	*	*
	47	14	6204	*	*	*
	52	15	6304	*	*	*
	72	19	6404	*	*	*
25	37	7	61805	*	*	*
	42	9	61905	*	*	*
	47	8	16005	*	*	*
	47	12	6005	*	*	*
	52	15	6205	*	*	*
	62	17	6305	*	*	*
	80	21	6405	*	*	*

Primary Dimensions			Bearing Code	Variants		
d	D	B		OPEN	ZZ	-2RS
mm						
30	42	7	61806	*	*	*
	47	9	61906	*	*	*
	55	9	16006	*	*	*
	55	13	6006	*	*	*
	62	16	6206	*	*	*
	72	19	6306	*	*	*
	90	23	6406	*	*	*
35	47	7	61807	*	*	*
	55	10	61907	*	*	*
	62	9	16007	*	*	*
	62	14	6007	*	*	*
	72	17	6207	*	*	*
	80	21	6307	*	*	*
	100	25	6407	*	*	*
40	52	7	61808	*	*	*
	62	12	61908	*	*	*
	68	9	16008	*	*	*
	68	15	6008	*	*	*
	80	18	6208	*	*	*
	90	23	6308	*	*	*
	110	27	6408	*	*	*
45	58	7	61809	*	*	*
	68	12	61909	*	*	*
	75	10	16009	*	*	*
	75	16	6009	*	*	*
	85	19	6209	*	*	*
	100	25	6309	*	*	*
	120	29	6409	*	*	*
50	65	7	61810	*	*	*
	72	12	61910	*	*	*
	80	10	16010	*	*	*
	80	16	6010	*	*	*
	90	20	6210	*	*	*
	110	27	6310	*	*	*
	130	31	6410	*	*	*

If a dimension is critical to your application please contact our sales department for confirmation.
Please note : errors and omissions excepted.



Single Row Radial Ball Bearings Metric

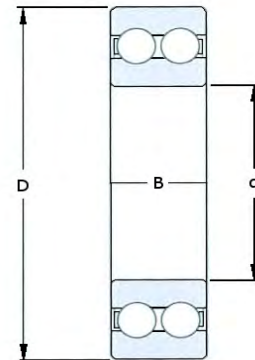
Primary Dimensions			Bearing Code	Variants		
d	D	B		OPEN	ZZ	-2RS
mm						
55	72	9	61811	*	*	*
	80	13	61911	*	*	*
	90	11	16011	*		
	90	18	6011	*	*	*
	100	21	6211	*	*	*
	120	29	6311	*	*	*
	140	33	6411	*		
60	78	10	61812	*	*	*
	85	13	61912	*	*	*
	95	11	16012	*		
	95	18	6012	*	*	*
	110	22	6212	*	*	*
	130	31	6312	*	*	*
	150	35	6412	*		
65	85	10	61813	*	*	*
	90	13	61913	*	*	
	100	11	16013	*		
	100	18	6013	*	*	*
	120	23	6213	*	*	*
	140	33	6313	*	*	*
	160	37	6413	*		
70	90	10	61814	*	*	*
	100	16	61914	*	*	*
	110	13	16014	*		
	110	20	6014	*	*	*
	125	24	6214	*	*	*
	150	35	6314	*	*	*
	180	42	6414	*		
75	95	10	61815	*	*	*
	105	16	61915	*	*	*
	115	13	16015	*		
	115	20	6015	*	*	*
	130	25	6215	*	*	*
	160	37	6315	*	*	*
	190	45	6415	*		

Primary Dimensions			Bearing Code	Variants		
d	D	B		OPEN	ZZ	-2RS
mm						
80	100	10	61816	*	*	*
	110	16	61916	*	*	*
	125	14	16016	*		
	125	22	6016	*	*	*
	140	26	6216	*	*	*
	170	39	6316	*	*	*
	200	48	6416	*		
85	110	13	61817	*	*	*
	130	14	16017	*		
	130	22	6017	*		*
	150	28	6217	*	*	*
	180	41	6317	*	*	
	210	52	6417	*		
90	115	13	61818	*	*	*
	140	16	16018	*		
	140	24	6018	*		
	160	30	6218	*	*	*
	190	43	6318	*	*	
	225	54	6418	*		
95	120	13	61819	*	*	*
	145	16	16019	*		
	145	24	6019	*		*
	170	32	6219	*		
	200	45	6319	*		
100	125	13	61820	*	*	*
	150	16	16020	*		
	150	24	6020	*		
	180	34	6220	*		
	215	47	6320	*		
	250	58	6420	*		
105	130	13	61821	*	*	*
	160	26	6021	*		
	190	36	6221	*		
	225	49	6321	*		

If a dimension is critical to your application please contact our sales department for confirmation.
Please note : errors and omissions excepted.

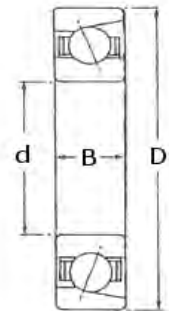


Double Row Radial Ball Bearings Metric



Primary Dimensions			Bearing Code
d	D	B	
mm			
10	30	14	4200
12	32	14	4201
	37	17	4301
15	35	14	4202
	42	17	4302
17	40	16	4203
	47	19	4303
20	47	18	4204
	52	21	4304
25	52	18	4205
	62	24	4305
30	62	27	4206
	72	27	4306
35	72	23	4207
	80	31	4307
40	80	23	4208
	90	33	4308
45	85	23	4209
	100	36	4309
50	90	23	4210
	110	40	4310
55	100	25	4211
	120	43	4311
60	110	28	4212
	130	46	4312
65	120	31	4213
	140	48	4313
70	125	31	4214
	150	51	4314
75	130	31	4215
	160	55	4315
80	140	33	4216
85	150	36	4217
90	160	40	4218
100	180	46	4220

If a dimension is critical to your application please contact our sales department for confirmation.
Please note : errors and omissions excepted.



Single Row Angular Contact Ball Bearings Metric

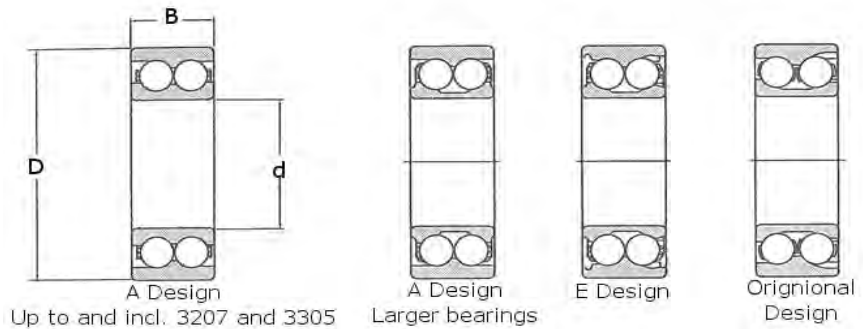
Primary Dimensions			Bearing Code	Variants		
d	D	B		OPEN	ZZ	-2RS
mm						
10	26	8	7000	*		
	30	9	7200	*	*	*
	35	11	7300	*		
12	28	8	7001	*		
	32	10	7201	*	*	*
	37	12	7301	*		
15	32	9	7002	*		
	35	11	7202	*	*	*
	42	13	7302	*	*	*
17	35	10	7003	*		
	40	12	7203	*	*	*
	47	14	7303	*	*	*
20	42	12	7004	*	*	*
	47	14	7204	*	*	*
	52	15	7304	*	*	*
25	47	12	7005	*	*	*
	52	15	7205	*	*	*
	62	17	7305	*	*	*
30	55	13	7006	*	*	*
	62	16	7206	*	*	*
	72	19	7306	*	*	*
	90	23	7406	*		
35	62	14	7007	*	*	*
	72	17	7207	*	*	*
	80	21	7307	*	*	*
	100	25	7407	*		
40	68	15	7008	*	*	*
	80	18	7208	*	*	*
	90	23	7308	*	*	*
	110	27	7408	*		
45	75	16	7009	*		
	85	19	7209	*	*	*
	100	25	7309	*	*	*
	120	29	7409	*		
50	80	16	7010	*		
	90	20	7210	*	*	*

Primary Dimensions			Bearing Code	Variants		
d	D	B		OPEN	ZZ	-2RS
mm						
50	110	27	7310	*	*	*
	130	31	7410	*		
55	90	18	7011	*		
	100	21	7211	*	*	*
	120	29	7311	*	*	*
	140	33	7411	*		
60	95	18	7012	*		
	110	22	7212	*	*	*
	130	31	7313	*	*	*
	150	35	7412	*		
65	100	18	7013	*		
	120	23	7213	*	*	*
	140	33	7313	*	*	*
	160	37	7413	*		
70	110	20	7014	*		
	125	24	7214	*	*	*
	150	35	7314	*		*
	180	42	7414	*		
75	115	20	7015	*		
	130	25	7215	*		*
	160	37	7315	*		*
	190	45	7415	*		
80	125	22	7016	*		
	140	26	7216	*		*
	170	39	7316	*		*
85	130	22	7017	*		
	150	28	7217	*		*
	180	41	7317	*		
90	140	24	7018	*		
	160	30	7218	*		*
	190	43	7318	*		*
95	170	32	7219	*		
	200	45	7319	*		
100	180	34	7220	*		*
	215	47	7320	*		*

If a dimension is critical to your application please contact our sales department for confirmation.
Please note : errors and omissions excepted.



Double Row Angular Contact Ball Bearings Metric



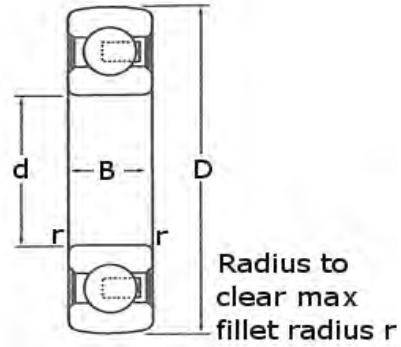
Primary Dimensions			Bearing Code
d	D	B	
mm			
10	30	14	3200 A
12	32	15,9	3201 A
15	35	15,9	3202 A
	42	19	3302 A
17	40	17,5	3203 A
	47	22,2	3303 A
20	47	20,6	3204 A
	52	22,2	3304 A
25	52	20,6	3205 A
	62	25,4	3305 A
30	62	23,8	3206 A
	72	30,2	3306 A
35	72	27	3207 A
	80	34,9	3307 A
40	80	30,2	3208 A
	90	36,5	3308 A
45	85	30,2	3209 A
	100	39,7	3309
50	90	30,2	3210 A
	110	44,4	3310
55	100	33,3	3211
	120	49,2	3311
60	110	36,5	3212
	130	54	3312
65	120	38,1	3213
	140	58,7	3313
70	125	39,7	3214
	150	63,5	3314
75	130	41,3	3215
	160	68,3	3315
80	140	44,4	3216
	170	68,3	3316
85	150	49,2	3217
	180	73	3317

Primary Dimensions			Bearing Code
d	D	B	
mm			
90	160	52,4	3218
	190	73	3318
95	170	55,6	3219
	200	77,8	3319
100	180	60,3	3220
	215	82,6	3320
110	200	69,8	3222
	240	92,1	3322

If a dimension is critical to your application please contact our sales department for confirmation.
Please note : errors and omissions excepted.



Single Row Radial Ball Bearings with Spherical Outside Diameter Metric

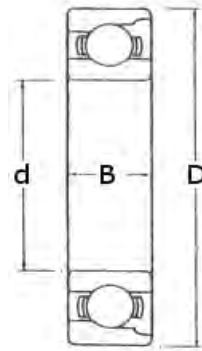


Primary Dimensions				Bearing Code	Variants		
d	D	B	r		OPEN	ZZ	-2RS
mm							
17	40	12	0.6	1726203			*
20	47	14	1.0	1726204			*
25	52	15	1.0	1726205			*
30	62	16	1.0	1726206			*
35	72	17	1.0	1726207			*
40	80	18	1.0	1726208			*
	90	23	1.5	1726208			*
45	85	19	1.0	1726209			*
	100	25	1.5	1726209			*
50	90	20	1.0	1726210			*
	100	27	2.0	1726210			*

If a dimension is critical to your application please contact our sales department for confirmation.
Please note : errors and omissions excepted.

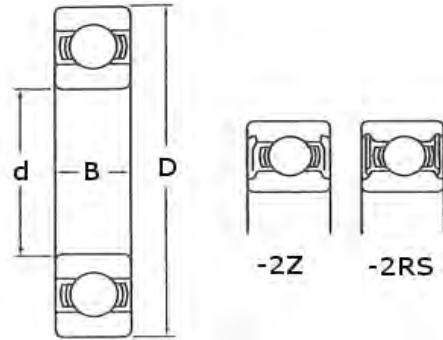


Single Row Separable Ball Bearings - Magneto Type Metric



Primary Dimensions			Bearing Code
d	D	B	
mm			
3	16	5	E3
4	16	5	E4
5	16	5	E5
6	21	7	E6
7	22	7	E7
8	24	7	E8
9	28	8	E9
10	28	8	E10
12	32	7	E12
13	30	7	E13
15	35	8	E15
17	40	10	E17
20	47	12	E20

If a dimension is critical to your application please contact our sales department for confirmation.
Please note : errors and omissions excepted.

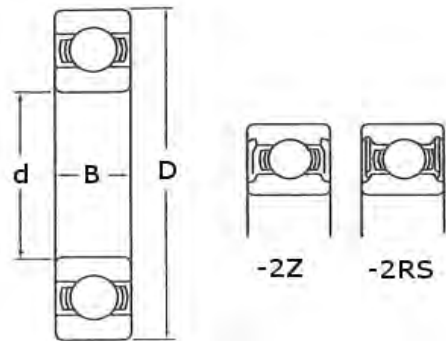


Single Row Radial Ball Bearings Imperial

Primary Dimensions			Bearing Code	Variants		
d	D	B		OPEN	ZZ	-2RS
Inch						
1/8	3/8	5/32	KLNJ1/8	*		
3/16	1/2	5/32	KLNJ3/16	*		
1/4	3/4	7/32	KLNJ1/4	*		
	3/4	9/32	KLNJ1/4*)		*	*
3/8	7/8	7/32	KLNJ3/8	*		
	7/8	9/32	(KLNJ3/8*)		*	*
	1 1/2	9/16	MJ3/8	*		
1/2	1 1/8	1/4	KLNJ1/2	*		
	1 1/8	5/16	(KLNJ1/2)		*	*
	1 5/16	3/8	LJ1/2	*	*	*
5/8	1 5/8	5/8	MJ1/2	*		
	1 3/8	9/32	KLNJ5/8	*		
	1 3/8	11/32	(KLNJ5/8)		*	*
3/4	1 13/16	7/16	LJ5/8	*	*	*
	1 13/16	5/8	MJ5/8	*	*	*
	1 5/8	5/16	KLNJ3/4	*		
7/8	1 5/8	7/16	KLNJ(3/4)		*	
	1 7/8	9/16	LJ3/4	*	*	*
	2	11/16	MJ3/4	*	*	*
1	1 7/8	3/8	KLNJ7/8	*		
	1 7/8	1/2	(KLNJ7/8)		*	
	2	9/16	LJ7/8	*	*	*
1 1/8	2 1/4	11/16	MJ7/8	*	*	*
	2	3/8	KLNJ1	*		
	2	1/2	(KLNJ1)		*	*
1 1/4	2 1/4	5/8	LJ1	*	*	*
	2 1/2	3/4	MJ1	*	*	*
	2 1/8	3/8	KLNJ1 1/8	*		
1 1/2	2 1/2	5/8	LJ1 1/8	*	*	*
	2 13/16	13/16	MJ1 1/8	*		
	2 1/4	3/8	KLNJ1 1/4	*		
1 3/8	2 1/4	1/2	(KLNJ1 1/4)		*	
	2 3/4	1 1/16	LJ1 1/4	*	*	*
	3 1/8	7/8	MJ1 1/4	*	*	*

Primary Dimensions			Bearing Code	Variants		
d	D	B		OPEN	ZZ	-2RS
Inch						
1 3/8	2 9/16	9/16	XLJ1 3/8	*		
1 1/2	3	11/16	LJ1 3/8	*	*	*
	3/12	7/8	MJ1 3/8	*	*	
1 5/8	2 5/8	7/16	KLNJ1 1/2	*		
	2 11/16	9/16	XLJ1 1/2	*		
	3 1/4	11/16	LJ1 1/2	*	*	*
1 3/4	3 3/4	7/8	MJ1 1/2	*	*	*
	2 7/8	9/16	XLJ1 5/8	*		
	3 1/2	3/4	LJ1 5/8	*	*	*
1 7/8	4	15/16	MJ1 5/8	*	*	*
	3	9/16	XLJ1 3/4	*		
	3 3/4	13/16	LJ1 3/4	*	*	
2	4 1/4	11/16	MJ1 3/4	*	*	
	3 3/16	5/8	XLJ1 7/8	*		
	4	13/16	LJ1 7/8	*		
2 1/4	4 1/2	1 1/16	MJ1 7/8	*		
	3 5/16	5/8	XLJ2	*		
	4	13/16	LJ2	*		
2 1/2	4 1/2	1 1/16	MJ2	*		
	3 9/16	5/8	XLJ2 1/4	*		
	4 1/2	7/8	LJ2 1/4	*		
2 3/4	5	1 1/4	MJ2 1/4	*		
	3 7/8	11/16	XLJ2 1/2	*		
	5	15/16	LJ2 1/2	*		
3	5 1/2	1 1/4	MJ2 1/2	*		
	4 1/4	11/16	XLJ2 3/4	*		
	5 1/4	15/16	LJ2 3/4	*		
3 1/4	6 1/4	13/8	MJ2 3/4	*		
	4 1/2	3/4	XLJ3	*		
	5 3/4	11/16	LJ3	*		
3 1/2	7	1 9/16	MJ3	*		
	4 3/4	3/4	XLJ3 1/4	*		
	6	11/16	LJ3 1/4	*		
3 3/8	7 1/2	1 9/16	MJ3 1/4	*		
	7 1/2	1 9/16	MJ33/8	*		

If a dimension is critical to your application please contact our sales department for confirmation.
Please note : errors and omissions excepted.

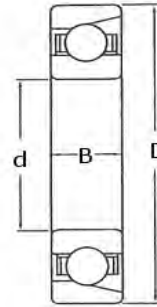


Single Row Radial Ball Bearings Imperial

Primary Dimensions			Bearing Code	Variants		
d	D	B		OPEN	ZZ	-2RS
Inch						
3 1/2	5	3/4	XLJ31/2	*		
	6 1/2	1 1/8	LJ31/2	*		
	8 1/8	1 3/4	MJ31/2	*		
3 3/4	5 1/4	3/4	XLJ33/4	*		
	6 3/4	1 1/8	LJ33/4	*		
	8 1/4	1 3/4	MJ33/4	*		
4	5 5/8	7/8	XLJ4E	*		
	7 1/4	1 1/4	LJ4E	*		
	8 1/2	1 3/4	MJ4E	*		
4 1/4	6	7/8	XLJ41/4	*		
	7 1/2	1 1/4	LJ41/4	*		
	8 3/4	1 3/4	MJ41/4	*		
4 1/2	6 1/4	7/8	XLJ41/2	*		
	8	15/16	LJ41/2	*		
	9 3/8	2	MJ41/2	*		
4 3/4	6 1/2	7/8	XLJ43/4	*		
	8 1/4	15/16	LJ43/4	*		
	10	2	MJ43/4	*		
5	7	1	XLJ5E	*		
	9	1 3/8	LJ5E	*		
	10	2	MJ5E	*		
5 1/4	7 1/4	1	XLJ51/4	*		
5 1/2	7 1/2	1	XLJ51/2	*		
	9 1/2	1 3/8	LJ51/2	*		
	11	2	MJ51/2	*		
5 3/4	7 3/4	1	XLJ53/4	*		
6	8	1	XLJ6E	*		
	10 1/2	1 9/16	XL6E	*		
	12	2 1/4	MJ6E	*		
6 1/2	8 3/4	1 1/8	XLJ61/2	*		
	11	1 9/16	LJ61/2	*		
	13	2 1/2	MJ61/2	*		
7	9 1/2	1 1/4	XLJ73	*		
	12	1 3/4	LJ7E	*		
	13 1/2	2 1/2	MJ7E	*		

Primary Dimensions			Bearing Code	Variants		
d	D	B		OPEN	ZZ	-2RS
Inch						
7 1/2	10	1 1/4	XLJ71/2	*		
	12 1/2	1 3/4	LJ71/2	*		
	14 1/2	2 3/4	MJ71/2	*		
8	10 3/4	1 3/8	XLJ8E	*		
	13	1 3/4	LJ8E	*		
	15	2 3/4	MJ8E	*		
8 1/2	11 1/2	1 1/2	XLJ81/2	*		
	14	2	LJ81/2	*		
	16	3	MJ81/2	*		
9	12	1 1/2	XLJ9E	*		
	14 1/2	2	LJ9E	*		
	17	3	MJ9E	*		
9 1/2	12 3/4	1 5/8	XLJ91/2	*		
	15 1/8	2	LJ91/2	*		
10	13 3/4	1 5/8	XLJ10E	*		
	15 3/4	2	LJ10E	*		
	18 1/2	3 1/4	MJ10E	*		
10 1/2	14	1 3/4	XLJ101/2	*		
	16 5/8	2 1/4	LJ101/2	*		
11	14 1/2	1 3/4	XLJ11E	*		
	17 1/2	2 1/2	LJ11E	*		
	20	3 1/2	MJ11E	*		
11 1/2	15 1/4	1 7/8	XLJ111/2	*		
	18	2 3/8	LJ111/2	*		
12	16	2	XLJ12E	*		
	18 1/2	2 5/8	LJ12E	*		
	21 1/2	3 3/4	MJ12E	*		

If a dimension is critical to your application please contact our sales department for confirmation.
Please note : errors and omissions excepted.



Single Row Angular Contact Ball Bearings Imperial

Primary Dimensions			Bearing Code
d	D	B	
Inch			
3/8	1 1/2	9/16	MJT3/8
1/2	1 5/16	3/8	LJT1/2
	1 5/8	5/8	MJT1/2
5/8	1 9/16	13/32	LJT5/8
	1 13/16	5/8	MJT5/8
3/4	1 7/8	9/16	LJT3/4
	2	21/32	MJT3/4
7/8	2	9/16	LJT7/8
	2 1/4	21/32	MJT7/8
1	2 1/4	5/8	LJT1
	2 1/2	3/4	MJT1
1 1/8	2 1/2	5/8	LJT11/8
	2 13/16	13/16	MJT11/8
1 1/4	2 3/4	21/32	LJT11/4
	3 1/8	7/8	MJT11/4
1 3/8	3	21/32	LJT13/8
	3 1/2	7/8	MJT13/8
1 1/2	3 1/4	3/4	LJT11/2
	3 3/4	29/32	MJT11/2
1 5/8	3 1/2	3/4	LJT15/8
	4	29/32	MJT15/8
1 3/4	3 3/4	13/16	LJT13/4
	4 1/4	11/16	MJT13/4
1 7/8	4	13/16	LJT17/8
	4 1/2	11/16	MJT17/8
2	4	13/16	LJT2
	4 1/2	11/16	MJT2
2 1/4	4 1/2	7/8	LJT21/4
	5	1 1/4	MJT21/4
2 1/2	5	15/16	LJT21/2
	5 1/2	1 1/4	MJT21/2
2 3/4	5 1/4	15/16	LJT23/4
	6 1/4	1 3/8	MJT23/4
3	5 3/4	11/16	LJT3
	7	1 9/16	MJT3
3 1/4	6	1 1/16	LJT31/2
	7 1/2	1 9/16	MJT31/4
3 3/8	7 1/2	1 9/16	MJT33/8

Primary Dimensions			Bearing Code
d	D	B	
Inch			
3 1/2	6 1/2	1 1/8	LJT31/2
	8 1/8	1 3/4	MJT31/2
3 3/4	6 3/4	1 1/8	LJT33/4
	8 1/4	1 3/4	MJT33/4
4	7 1/4	1 1/4	LJT4
	8 1/2	1 3/4	MJT4
4 1/4	7 1/2	1 1/4	LJT41/4
	8 3/4	1 3/4	MJT41/4
4 1/2	8	15/16	LJT41/2
	9 3/8	2	MJT41/2
4 3/4	8 1/4	15/16	LJT43/4
	10	2	MJT43/4
5	9	1 3/8	LJT5
	10	2	MJT5
5 1/2	9 1/2	1 3/8	LJT51/2
	11	2	MJT51/2
6	10 1/2	1 9/16	LJT6
	12	2 1/4	MJT6
6 1/2	11	1 9/16	LJT61/2
	13	2 1/2	MJT61/2
7	12	1 3/4	LJT7
	13 1/2	2 1/2	MJT7
7 1/2	12 1/2	1 3/4	LJT71/2
	14 1/2	2 3/4	MJT71/2
8	13	1 3/4	LJT8
	15	2 3/4	MJT8
8 1/2	14	2	LJT81/2
	16	3	MJT81/2
9	14 1/2	2	LJT9
	17	3	MJT9
9 1/2	15 1/8	2	LJT91/2
10	15 3/4	2	LJT10
	18 1/2	3 1/4	MJT10
10 1/2	16 5/8	2 1/4	LJT101/2
11	17 1/2	2 1/4	LJT11
	20	3 1/2	MJT11
11 1/2	18	2 3/8	LJT111/2
12	18 1/2	2 5/8	LJT12

Primary Dimensions			Bearing Code
d	D	B	
Inch			
12	21 1/2	3 3/4	MJT12
13	20	2 3/4	LJT13
14	21 1/2	2 7/8	LJT14
15	22 1/2	3	LJT15

If a dimension is critical to your application please contact our sales department for confirmation.
Please note : errors and omissions excepted.