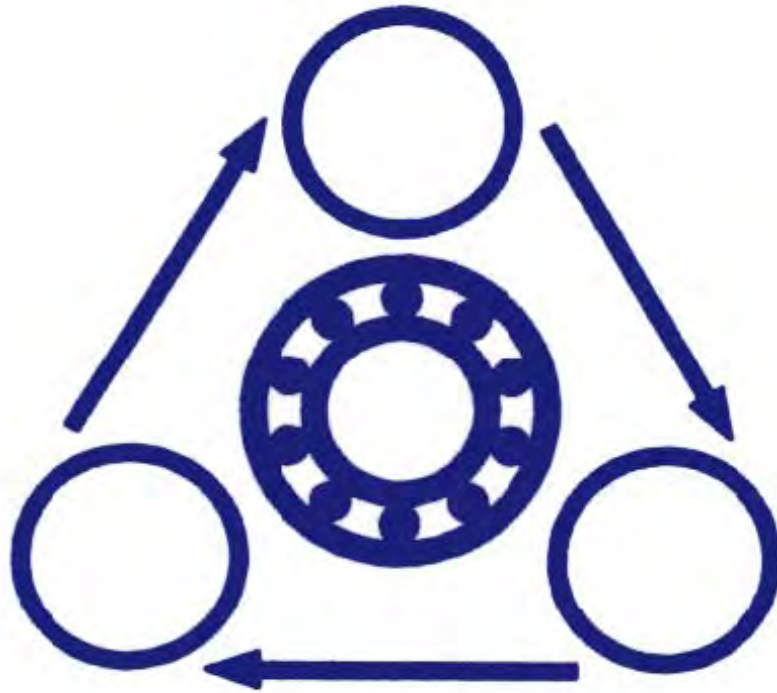


Ashley Power Ltd.
580-586 Ashley Road
Parkstone
Poole
Dorset, BH14 0AQ



O-RINGS CATALOGUE



ASHLEY POWER



O-RINGS



**ALSO AVAILABLE
METRIC & IMPERIAL O-RING KITS
& O-RING SPLICING KITS**





O-Ring Contents

| | |
|--|-----|
| Table of Groove Dimensions for Dynamic & Static Sealing..... | N4 |
| Resistance Properties of Various Elastomers..... | N5 |
| Temperature Ranges..... | N6 |
| Quick Reference Guide to Standard Inch Sizes..... | N7 |
| British Metric Range to BS 4518..... | N8 |
| European (German) Metric Range..... | N10 |

Please note: At Ashley Power we take care to ensure that all information is correct at time of printing however some errors and omissions excepted.



| Cross Section | Groove Dimensions | | | | | Groove Radius R |
|---------------|---------------------|--------------------|----------------|--------------------|-----------------|-----------------|
| | Dynamic Application | | | Static Application | | |
| | Depth | Width | | Flange Seal | | |
| | | Recip- rocating | Rotary | Groove Depth | Groove Width | |
| | +0,00 -0,05 | +0,10 -0,00 | +0,10 -0,00 | +0,00 -0,05 | +0,10 -0,00 | |
| 1,0 to 1,02 | 0,81 | 1,57 | 1,20 | 0,68 | 1,57 | 0,2 |
| 1,2 | 1,00 | 1,80 | 1,40 | 0,82 | 1,80 | |
| 1,25 to 1,27 | 1,04 | 1,85 | 1,45 | 0,85 | 1,85 | |
| 1,3 | 1,10 | 1,90 | 1,50 | 0,88 | 1,90 | |
| 1,42 | 1,16 | 2,08 | 1,60 | 0,96 | 2,08 | |
| 1,50 to 1,52 | 1,24 | 2,16 | 1,70 | 1,02 | 2,16 | |
| 1,60 to 1,63 | 1,30 | 2,20 | 2,10 | 1,10 | 2,20 | 0,5 |
| 1,78 | 1,45 | 2,40 | 2,30 | 1,20 | 2,40 | |
| 1,83 | 1,50 | 2,45 | 2,35 | 1,20 | 2,45 | |
| 1,98 to 2,0 | 1,60 | 2,70 | 2,50 | 1,50 | 2,70 | |
| 2,08 | 1,70 | 2,75 | 2,50 | 1,60 | 2,75 | |
| 2,21 | 1,80 | 3,00 | 2,55 | 1,70 | 3,00 | |
| 2,4 | 2,10 | 3,25 | 2,70 | 1,90 | 3,25 | |
| 2,46 | 2,15 | 3,30 | 2,75 | 1,95 | 3,30 | |
| 2,50 | 2,20 | 3,40 | 2,80 | 2,00 | 3,40 | |
| 2,62 | 2,30 | 3,60 | 2,90 | 2,10 | 3,60 | |
| 2,75 | 2,45 | 3,70 | 3,10 | 2,20 | 3,70 | |
| 2,95 to 3,0 | 2,65 | 4,05 | 3,35 | 2,40 | 4,05 | |
| 3,15 | 2,85 | 4,25 | 3,50 | 2,50 | 4,25 | |
| 3,5 to 3,53 | 3,10 | 4,80 | 3,90 | 2,80 | 4,80 | 1,0 |
| 4,0 | 3,55 | 5,50 | 4,35 | 3,30 | 5,50 | |
| 4,5 | 4,00 | 6,20 | 4,90 | 3,70 | 6,20 | |
| 5,0 | 4,40 | 6,80 | 5,50 | 4,10 | 6,80 | |
| 5,33 | 4,80 | 7,20 | 5,80 | 4,40 | 7,20 | |
| 5,5 | 4,95 | 7,50 | 6,30 | 4,55 | 7,50 | |
| 5,7 | 5,15 | 7,80 | 6,35 | 4,70 | 7,80 | |
| 6,0 | 5,40 | 8,20 | 6,70 | 4,95 | 8,20 | |
| 6,3 to 6,35 | 5,55 | 8,60 | 7,00 | 5,20 | 8,60 | |
| 7,0 | 6,10 | 9,50 | 7,80 | 5,80 | 9,50 | 1,5 |
| 8,0 | 7,20 | 10,80 | 8,90 | 6,70 | 10,80 | |
| 8,4 | 7,55 | 11,40 | 9,40 | 7,00 | 11,40 | |
| 10,0 | 9,00 | 13,70 | 11,20 | 8,30 | 13,70 | |
| 12,0 | 10,40 | 16,40 | 13,40 | 10,00 | 16,40 | |

O-Rings: Resistance Properties of various elastomers

ASHLEY POWER



We must emphasise that this chart should only be used as a guide. Final selection should be based on functional evaluations or experience under actual end use conditions.

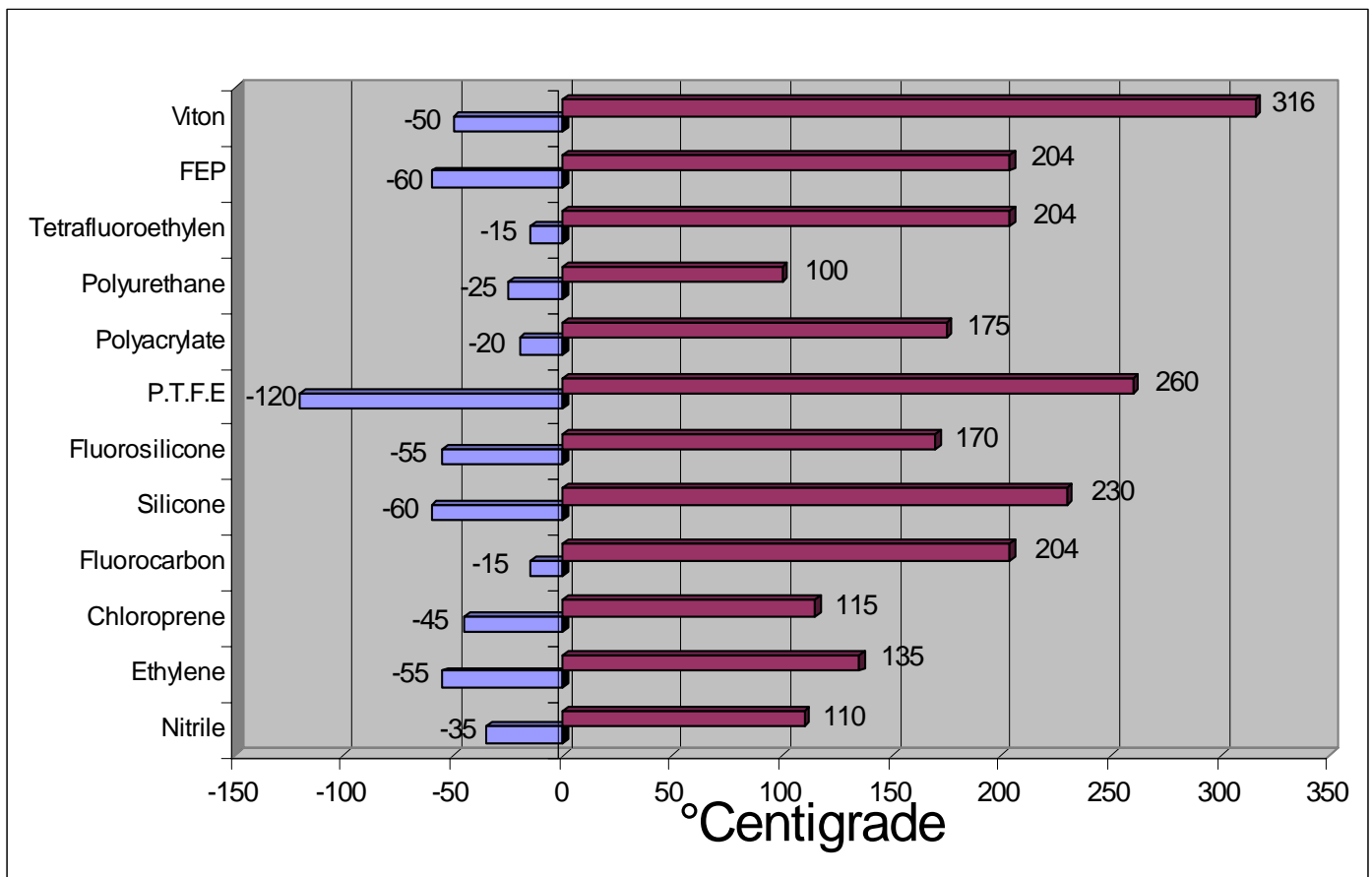
| | Buna-N Nitrile | Ethylene Propylene | Neoprene | Urethane | Silicone | Fluoro-silicone | Fluoro-elastomer Viton | Poly-acrylate | Kalrez / Zalak Perfluor-elastomer | Teflex |
|---------------------------------|----------------|--------------------|----------|----------|----------|-----------------|------------------------|---------------|-----------------------------------|------------------------|
| ASTM CODE 1992 | NBR | EPDM | CR | AU | VMQ | FVMQ | FKM | AC | FFKM | FEP |
| ISO code 1987 | NBR | EPM | CR | EU | VMQ | FVMQ | FPM | ACM | FPM | FEP |
| Hardness Shore A | 40-95 | 40-80 | 20-90 | 50-90 | Oct-90 | 40-80 | 60-90 | 50-90 | 80-90 | 80-90 |
| Tensile Strength (psi) | 2500 | 2500 | 3000 | 5000 | 1400 | 900 | 2000 | 2000 | 2000 | 2000 |
| Tearing Strength | G | G | VG | E | N | N | G | G | G | G |
| Wear Resistance | G | G | G | VG | N | N | G | VG | G | G |
| Fire-proof Hyd. Fluids | N | VG | R | N | G | VG | R-N | N | E | E |
| Lubricating Oils | G | N | G | VG | G | E | E | VG | E | E |
| Fuel Oils | G | N | G | VG | R | E | E | VG | E | E |
| Hydraulic Oils | E | N | G | VG | G | E | E | U | E | E |
| Vegetable Oils | E | R | G | VG | G | E | E | U | E | E |
| Animal Fats | E | R | G | VG | G | E | E | U | E | E |
| Petrol (Normal) | VG | N | R | VG | R | E | E | VG | E | E |
| Petrol (High Octane) | G | N | N | VG | N | E | E | G | E | E |
| Kerosene | VG | N | R | VG | R | E | E | VG | E | E |
| Aromatic Hydrocarbons | R | N | N | G | N | E | E | R | E | E |
| Aliphatic Hydrocarbons | VG | N | G | VG | R | E | E | VG | E | E |
| Water (< 80°C) | VG | E | R | R-N | E | E | E | N | E | E |
| Water (> 80°C) | R | E | N | N | E | VG | G | N | E | E |
| Alcohols | VG | E | N | N | E | VG | G | N | E | E |
| Ketones | N | G | N | N | G | N | N | N | E | E |
| Concentrated Acids | N | R | N | N | R | G | VG | N | E | E |
| Diluted Acids | R | G | G | N | G | VG | E | N | E | E |
| Alkalis | R | VG | G | N | G | R | G | N | E | E |
| Chlorinated Solvents | R | N | N | R-N | N | E | E | R | E | E |
| Ozone & Sunlight | R | E | VG | VG | E | E | E | VG | E | E |
| Max. temp at continuous service | 110°C | 135°C | 105°C | 80°C | 230°C | 205°C | 205°C | 175°C | E 250°C to 316°C | E 204°C to 260°C |
| Electrical Properties | N | E | VG | G | E | E | E | N | E | E |
| Compression Set | VG | G | VG | N | E | VG | R | G | G | G |
| Flame Resistant | No | No | Yes | No | No | No | Yes | No | Yes | Yes |

E = Excellent; VG = Very Good; R = Reasonable; N = Not Reasonable; U = Unsuitable



When considering a choice of compound, both high and low limits as well as operating temperature must be taken into consideration, together with the anticipated time element of each extreme. The parameters shown in the chart below are based upon average conditions for a period of approximately one thousand hours. Most base polymers will be capable of exceeding the recommended temperature guide for short intermittent periods.

Another important point to be considered in very critical conditions is the fact that rubber when exposed to extended periods of high temperature will expand, and therefore it may be necessary to increase the



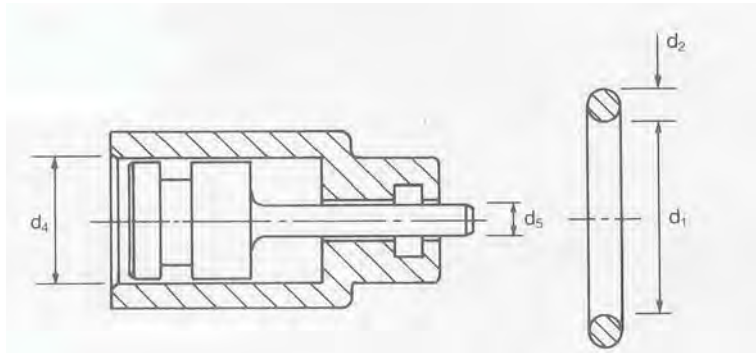
area of the groove, and in opposing conditions rubber exposed to prolonged periods of low temperature will tend to contract and a reduction of groove size may be desirable, or alternatively a higher degree of squeeze should be allowed for during initial design.

O-Rings: Quick Reference Guide to Standard Inch Sizes



Size reference numbers quoted are in accordance with BS 1806:1989 and AS 568A:1984

| Section | | | | | Section | | | | | | Section | | | | |
|-----------|------|------|-----|------|-----------|------|------|-----|------|-----|-----------|------|-----|------|------|
| I.D. | 1/16 | 3/32 | 1/8 | 3/16 | I.D. | 1/16 | 3/32 | 1/8 | 3/16 | 1/4 | I.D. | 3/32 | 1/8 | 3/16 | 1/4 |
| BS Number | | | | | BS Number | | | | | | BS Number | | | | |
| 1/32 | 001 | | | | 2 3/16 | | 139 | | | | 7 | 167 | 262 | 365 | 441 |
| 3/64 | 002 | | | | 2 1/4 | 035 | 140 | 228 | 331 | | 7 1/4 | 168 | 263 | 366 | 442 |
| 1/16 | 003 | 102 | | | 2 5/16 | | 141 | | | | 7 1/2 | 169 | 264 | 367 | 443 |
| 5/64 | 004 | | | | 2 3/8 | 036 | 142 | 229 | 332 | | 7 3/4 | 170 | 265 | 368 | 444 |
| 3/32 | 005 | 103 | | | 2 7/16 | | 143 | | | | 8 | 171 | 266 | 369 | 445 |
| 1/8 | 006 | 104 | | | 2 1/2 | 037 | 144 | 230 | 333 | | 8 1/4 | 172 | 267 | 370 | 445A |
| 5/32 | 007 | 105 | | | 2 9/16 | | 145 | | | | 8 1/2 | 173 | 268 | 371 | 446 |
| 3/16 | 008 | 106 | 201 | | 2 5/8 | 038 | 146 | 231 | 334 | | 8 3/4 | 174 | 269 | 372 | 446A |
| 7/32 | 009 | 107 | | | 2 11/16 | | 147 | | | | 9 | 175 | 270 | 373 | 447 |
| 1/4 | 010 | 108 | 202 | | 2 3/4 | 039 | 148 | 232 | 335 | | 9 1/4 | 176 | 271 | 374 | 447A |
| 5/16 | 011 | 109 | 203 | | 2 13/16 | | 149 | | | | 9 1/2 | 177 | 272 | 375 | 448 |
| 3/8 | 012 | 110 | 204 | | 2 7/8 | 040 | 150 | 233 | 336 | | 9 3/4 | 178 | 273 | 376 | 448A |
| 7/16 | 013 | 111 | 205 | 309 | 3 | 041 | 151 | 234 | 337 | | 10 | | 274 | 377 | 449 |
| 1/2 | 014 | 112 | 206 | 310 | 3 1/8 | | | 235 | 338 | | 10 1/4 | | | | 449A |
| 9/16 | 015 | 113 | 207 | 311 | 3 1/4 | 042 | 152 | 236 | 339 | | 10 1/2 | | 275 | 378 | 450 |
| 5/8 | 016 | 114 | 208 | 312 | 3 3/8 | | | 237 | 340 | | 10 3/4 | | | | 450A |
| 11/16 | 017 | 115 | 209 | 313 | 3 1/2 | 043 | 153 | 238 | 341 | | 11 | | 276 | 379 | 451 |
| 3/4 | 018 | 116 | 210 | 314 | 3 5/8 | | | 239 | 342 | | 11 1/4 | | | | 451A |
| 13/16 | 019 | 117 | 211 | 315 | 3 3/4 | 044 | 154 | 240 | 343 | | 11 1/2 | | 277 | 380 | 452 |
| 7/8 | 020 | 118 | 212 | 316 | 3 7/8 | | | 241 | 344 | | 11 3/4 | | | | 452A |
| 15/16 | 021 | 119 | 213 | 317 | 4 | 045 | 155 | 242 | 345 | | 12 | | 278 | 381 | 453 |
| 1 | 022 | 120 | 214 | 318 | 4 1/8 | | | 243 | 346 | | 12 1/2 | | | | 454 |
| 1 1/16 | 023 | 121 | 215 | 319 | 4 1/4 | 046 | 156 | 244 | 347 | | 13 | | 279 | 382 | 455 |
| 1 1/8 | 024 | 122 | 216 | 320 | 4 3/8 | | | 245 | 348 | | 13 1/2 | | | | 456 |
| 1 3/16 | 025 | 123 | 217 | 321 | 4 1/2 | 047 | 157 | 246 | 349 | 425 | 14 | | 280 | 383 | 457 |
| 1 1/4 | 026 | 124 | 218 | 322 | 4 5/8 | | | 247 | 350 | 426 | 14 1/2 | | 281 | 384 | 458 |
| 1 5/16 | 027 | 125 | 219 | 323 | 4 3/4 | 048 | 158 | 248 | 351 | 427 | 15 | | 282 | 385 | 459 |
| 1 3/8 | 028 | 126 | 220 | 324 | 4 7/8 | | | 249 | 352 | 428 | 15 1/2 | | 283 | 386 | 460 |
| 1 7/16 | | 127 | 221 | | 5 | 049 | 159 | 250 | 353 | 429 | 16 | | 284 | 387 | 461 |
| 1 1/2 | 029 | 128 | 222 | 325 | 5 1/8 | | | 251 | 354 | 430 | 16 1/2 | | | | 462 |
| 1 9/16 | | 129 | | | 5 1/4 | 050 | 160 | 252 | 355 | 431 | 17 | | 284 | 387 | 463 |
| 1 5/8 | 030 | 130 | 223 | 326 | 5 3/8 | | | 253 | 356 | 432 | 17 1/2 | | | | 464 |
| 1 11/16 | | 131 | | | 5 1/2 | | 161 | 254 | 357 | 433 | 18 | | | 388 | 465 |
| 1 3/4 | 031 | 132 | 224 | 327 | 5 5/8 | | | 255 | 358 | 434 | 18 1/2 | | | | 466 |
| 1 13/16 | | 133 | | | 5 3/4 | | 162 | 256 | 359 | 435 | 19 | | | 389 | 467 |
| 1 7/8 | 032 | 134 | 225 | 328 | 5 7/8 | | | 257 | 360 | 436 | 20 | | | 390 | 468 |
| 1 15/16 | | 135 | | | 6 | | 163 | 258 | 361 | 437 | 21 | | | 391 | 469 |
| 2 | 033 | 136 | 226 | 329 | 6 1/4 | | 164 | 259 | 362 | 438 | 22 | | | 392 | 470 |
| 2 1/16 | | 137 | | | 6 1/2 | | 165 | 260 | 363 | 439 | 23 | | | 393 | 471 |
| 2 1/8 | 034 | 138 | 227 | 330 | 6 3/4 | | 166 | 261 | 364 | 440 | 24 | | | 394 | 472 |
| | | | | | | | | | | | 25 | | | 395 | 473 |
| | | | | | | | | | | | 26 | | | | 474 |
| | | | | | | | | | | | | | | | 475 |



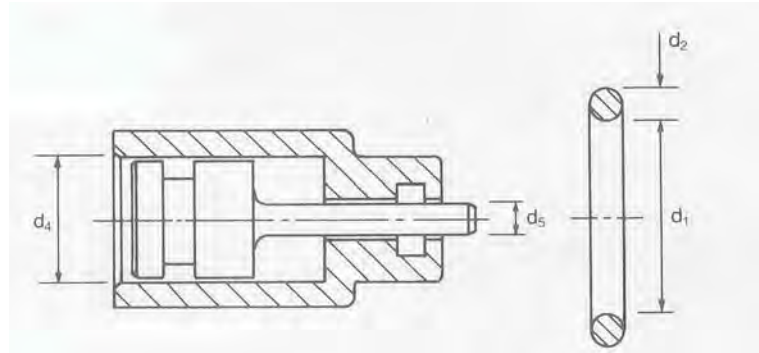
When ordering please specify material.

| APL Code | Dowty Ref 202-*** | d5 | d4 | d1 | Tolerance on d1 +/- | d2 | APL Code | Dowty Ref 202-*** | d5 | d4 | d1 | Tolerance on d1 +/- | d2 |
|----------|-------------------|------|----|------|---------------------|-----------------|----------|-------------------|-----|-------|------|---------------------|-----------------|
| 0031-16 | 505 | 3.5 | 6 | 3.1 | 0.15 | 1.6 +/- 0.08 | 0446-24 | 656 | 45 | 49 | 44.6 | 0.30 | 2.4 +/- 0.08 |
| 0041-16 | 506 | 4.5 | 7 | 4.1 | 0.15 | | 0456-24 | 673 | 45 | 50 | 45.6 | 0.30 | |
| 0051-16 | 507 | 5.5 | 8 | 5.1 | 0.15 | | 0476-24 | 657 | 48 | 52 | 47.6 | 0.30 | |
| 0061-16 | 508 | 6.5 | 9 | 6.1 | 0.15 | | 0496-24 | 658 | 50 | 54 | 49.6 | 0.30 | |
| 0071-16 | 509 | 7.5 | 10 | 7.1 | 0.15 | 0516-24 | 659 | 52 | 56 | 51.6 | 0.40 | | |
| 0081-16 | 510 | 8.5 | 11 | 8.1 | 0.15 | 0546-24 | 660 | 55 | 59 | 54.6 | 0.40 | | |
| 0091-16 | 511 | 9.5 | 12 | 9.1 | 0.15 | 0556-24 | 674 | 56 | 60 | 55.6 | 0.40 | | |
| 0101-16 | 512 | 10.5 | 13 | 10.1 | 0.20 | 0576-24 | 661 | 58 | 62 | 57.6 | 0.40 | | |
| 0111-16 | 513 | 11.5 | 14 | 11.1 | 0.20 | 0586-24 | 675 | 59 | 63 | 58.6 | 0.40 | | |
| 0121-16 | 514 | 12.5 | 15 | 12.1 | 0.20 | 0596-24 | 662 | 60 | 64 | 59.6 | 0.40 | | |
| 0131-16 | 515 | 13.5 | 16 | 13.1 | 0.20 | 0616-24 | 663 | 62 | 66 | 61.6 | 0.40 | | |
| 0141-16 | 516 | 14.5 | 17 | 14.1 | 0.20 | 0626-24 | 676 | 63 | 67 | 62.6 | 0.40 | | |
| 0151-16 | 517 | 15.5 | 18 | 15.1 | 0.20 | 0646-24 | 664 | 65 | 69 | 64.6 | 0.40 | | |
| 0161-16 | 518 | 16.5 | 19 | 16.1 | 0.20 | 0676-24 | 665 | 68 | 72 | 67.6 | 0.40 | | |
| 0171-16 | 519 | 17.5 | 20 | 17.1 | 0.20 | 0696-24 | 666 | 70 | 74 | 69.6 | 0.40 | | |
| 0181-16 | 520 | 18.5 | 21 | 18.1 | 0.25 | 0195-30* | 771 | 20 | 25 | 19.5 | 0.25 | | |
| 0191-16 | 521 | 19.5 | 22 | 19.1 | 0.25 | 0215-30* | 772 | 22 | 27 | 21.5 | 0.25 | | |
| 0221-16 | 524 | 22.5 | 25 | 22.1 | 0.25 | 0225-30* | 773 | 23 | 28 | 22.5 | 0.25 | | |
| 0251-16 | 525 | 25.5 | 28 | 25.1 | 0.25 | 0245-30* | 774 | 25 | 30 | 24.5 | 0.25 | | |
| 0271-16 | 526 | 27.5 | 30 | 27.1 | 0.25 | 0255-30* | 775 | 26 | 31 | 25.5 | 0.25 | | |
| 0291-16 | 527 | 29.5 | 32 | 29.1 | 0.25 | 0265-30* | 776 | 27 | 32 | 26.5 | 0.25 | | |
| 0321-16 | 528 | 32.5 | 35 | 32.1 | 0.30 | 0275-30* | 777 | 28 | 33 | 27.5 | 0.25 | | |
| 0351-16 | 529 | 35.5 | 38 | 35.1 | 0.30 | 0295-30* | 778 | 30 | 35 | 29.5 | 0.25 | | |
| 0371-16 | 530 | 37.5 | 40 | 37.1 | 0.30 | 0315-30* | 779 | 32 | 37 | 31.5 | 0.30 | | |
| 0036-24* | 630 | 4 | 8 | 3.6 | 0.15 | 0325-30* | 780 | 33 | 38 | 32.5 | 0.30 | | |
| 0046-24* | 631 | 5 | 9 | 4.6 | 0.15 | 0345-30* | 781 | 35 | 40 | 34.5 | 0.30 | | |
| 0056-24* | 632 | 6 | 10 | 5.6 | 0.15 | 0355-30* | 782 | 36 | 41 | 35.5 | 0.30 | | |
| 0066-24* | 633 | 7 | 11 | 6.6 | 0.15 | 0365-30* | 783 | 37 | 42 | 36.5 | 0.30 | | |
| 0076-24* | 634 | 8 | 12 | 7.6 | 0.15 | 0375-30* | 784 | 38 | 43 | 37.5 | 0.30 | | |
| 0086-24* | 635 | 9 | 13 | 8.6 | 0.15 | 0395-30* | 785 | 40 | 45 | 39.5 | 0.30 | | |
| 0096-24* | 636 | 10 | 14 | 9.6 | 0.15 | 0415-30* | 786 | 42 | 47 | 41.5 | 0.30 | | |
| 0106-24* | 637 | 11 | 15 | 10.6 | 0.20 | 0425-30* | 787 | 43 | 48 | 42.5 | 0.30 | | |
| 0116-24* | 638 | 12 | 16 | 11.6 | 0.20 | 0445-30* | 788 | 45 | 50 | 44.5 | 0.30 | | |
| 0126-24* | 639 | 13 | 17 | 12.6 | 0.20 | 0495-30* | 729 | 50 | 55 | 49.5 | 0.30 | | |
| 0136-24* | 640 | 14 | 18 | 13.6 | 0.20 | 0545-30 | 731 | 55 | 60 | 54.5 | 0.40 | | |
| 0146-24* | 641 | 15 | 19 | 14.6 | 0.20 | 0555-30 | 790 | 56 | 61 | 55.5 | 0.40 | 3 +/- 0.1 | |
| 0156-24* | 642 | 16 | 20 | 15.6 | 0.20 | 0575-30 | 791 | 58 | 63 | 57.5 | 0.40 | | |
| 0166-24* | 643 | 17 | 21 | 16.6 | 0.20 | 0595-30 | 735 | 60 | 65 | 59.5 | 0.40 | | |
| 0176-24* | 644 | 18 | 22 | 17.6 | 0.20 | 0625-30 | 792 | 63 | 68 | 62.5 | 0.40 | | |
| 0186-24 | 645 | 19 | 23 | 18.6 | 0.25 | 0645-30 | 738 | 65 | 70 | 64.5 | 0.40 | | |
| 0196-24 | 645 | 20 | 24 | 19.6 | 0.25 | 0695-30 | 739 | 70 | 75 | 69.5 | 0.40 | | |
| 0206-24 | 646 | 21 | 25 | 20.6 | 0.25 | 0745-30 | 740 | 75 | 80 | 74.5 | 0.40 | | |
| 0216-24 | 647 | 22 | 26 | 21.6 | 0.25 | 0795-30 | 741 | 80 | 85 | 79.5 | 0.40 | | |
| 0246-24 | 648 | 25 | 29 | 24.6 | 0.25 | 0845-30 | 742 | 85 | 90 | 84.5 | 0.50 | | |
| 0276-24 | 649 | 28 | 32 | 27.6 | 0.25 | 0895-30 | 743 | 90 | 95 | 89.5 | 0.50 | | |
| 0296-24 | 650 | 30 | 34 | 29.6 | 0.25 | 0945-30 | 744 | 95 | 100 | 94.5 | 0.50 | | |
| 0316-24 | 651 | 32 | 36 | 31.6 | 0.30 | 0995-30 | 745 | 100 | 105 | 99.5 | 0.50 | | |
| 0346-24 | 652 | 35 | 39 | 34.6 | 0.30 | 1045-30 | 746 | 105 | 110 | 104.5 | 0.50 | | |
| 0356-24 | 672 | 36 | 40 | 35.6 | 0.30 | 1095-30 | 747 | 110 | 115 | 109.5 | 0.50 | | |
| 0376-24 | 653 | 38 | 42 | 37.6 | 0.30 | 1145-30 | 748 | 115 | 120 | 114.5 | 0.50 | | |
| 0396-24 | 654 | 40 | 44 | 39.6 | 0.30 | 1195-30 | 749 | 120 | 125 | 119.5 | 0.50 | | |
| 0416-24 | 655 | 42 | 46 | 41.6 | 0.30 | 1245-30 | 750 | 125 | 130 | 124.5 | 0.60 | | |
| | | | | | | 1295-30 | 751 | 130 | 135 | 129.5 | 0.60 | | |
| | | | | | | 1345-30 | 752 | 135 | 140 | 134.5 | 0.60 | | |
| | | | | | | 1395-30 | 753 | 140 | 145 | 139.5 | 0.60 | | |

All dimensions in mm unless stated otherwise.

Items marked * are suitable for dynamic applications.

O-Rings:
British Metric Range to BS 4518 (cont.)



When ordering please specify material.

| APL Code | Dowty Ref 202-*** | d5 | d4 | d1 | Tolerance on d1 +/- | d2 | APL Code | Dowty Ref 202-*** | d5 | d4 | d1 | Tolerance on d1 +/- | d2 |
|----------|-------------------|-----|-----|-------|---------------------|--------------|----------|-------------------|-----|-------|-------|---------------------|-----------------|
| 1445-30 | 754 | 145 | 150 | 144.5 | 0.60 | 3 +/- 0.1 | 1993-57 | 857 | 200 | 210 | 199.3 | 0.80 | 5.7 +/- 0.12 |
| 1495-30 | 755 | 150 | 155 | 149.5 | 0.60 | | 2093-57 | 859 | 210 | 220 | 209.3 | 0.80 | |
| 1545-30 | 756 | 155 | 160 | 154.5 | 0.60 | | 2193-57 | 860 | 220 | 230 | 219.3 | 0.80 | |
| 1595-30 | 757 | 160 | 165 | 159.5 | 0.60 | | 2293-57 | 861 | 230 | 240 | 229.3 | 0.80 | |
| 1645-30 | 758 | 165 | 170 | 164.5 | 0.60 | | 2393-57 | 862 | 240 | 250 | 239.3 | 0.80 | |
| 1695-30 | 759 | 170 | 175 | 169.5 | 0.60 | | 2493-57 | 863 | 250 | 260 | 249.3 | 0.80 | |
| 1745-30 | 760 | 175 | 180 | 174.5 | 0.60 | | 2593-57 | 864 | 260 | 270 | 259.3 | 1.00 | |
| 1795-30 | 761 | 180 | 185 | 179.5 | 0.60 | | 2693-57 | 865 | 270 | 280 | 269.3 | 1.00 | |
| 1845-30 | 762 | 185 | 190 | 184.5 | 0.80 | | 2793-57 | 866 | 280 | 290 | 279.3 | 1.00 | |
| 1895-30 | 763 | 190 | 195 | 189.5 | 0.80 | | 2893-57 | 867 | 290 | 300 | 289.3 | 1.00 | |
| 1945-30 | 764 | 195 | 200 | 194.5 | 0.80 | 2993-57 | 868 | 300 | 310 | 299.3 | 1.00 | | |
| 1995-30 | 765 | 200 | 205 | 199.5 | 0.80 | 3093-57 | 890 | 310 | 320 | 309.3 | 1.50 | | |
| 2095-30 | 789 | 210 | 215 | 209.5 | 0.80 | 3193-57 | 869 | 320 | 330 | 319.3 | 1.50 | | |
| 2195-30 | 767 | 220 | 225 | 219.5 | 0.80 | 3393-57 | 870 | 340 | 350 | 339.3 | 1.50 | | |
| 2295-30 | 768 | 230 | 235 | 229.5 | 0.80 | 3593-57 | 871 | 360 | 370 | 359.3 | 1.50 | | |
| 2395-30 | 769 | 240 | 245 | 239.5 | 0.80 | 3793-57 | 872 | 380 | 390 | 379.3 | 1.50 | | |
| 2445-30 | 793 | 245 | 250 | 244.5 | 0.80 | 3893-57 | 891 | 390 | 400 | 389.3 | 1.50 | | |
| 2495-30 | 770 | 250 | 255 | 249.5 | 0.80 | 3993-57 | 873 | 400 | 410 | 399.3 | 1.50 | | |
| 0443-57* | 810 | 45 | 55 | 44.3 | 0.30 | 4193-57 | 874 | 420 | 430 | 419.3 | 2.00 | | |
| 0453-57* | 811 | 46 | 56 | 45.3 | 0.30 | 4393-57 | 875 | 440 | 450 | 439.3 | 2.00 | | |
| 0493-57* | 813 | 50 | 60 | 49.3 | 0.30 | 4593-57 | 876 | 460 | 470 | 459.3 | 2.00 | | |
| 0523-57* | 815 | 53 | 63 | 52.3 | 0.40 | 4793-57 | 877 | 480 | 490 | 479.3 | 2.00 | | |
| 0543-57* | 816 | 55 | 65 | 54.3 | 0.40 | 4893-57 | 892 | 490 | 500 | 489.3 | 2.00 | | |
| 0553-57* | 879 | 56 | 66 | 55.3 | 0.40 | 4993-57 | 878 | 500 | 510 | 499.3 | 2.00 | | |
| 0593-57* | 818 | 60 | 70 | 59.3 | 0.40 | 1441-84* | 905 | 145 | 160 | 144.1 | 0.60 | | |
| 0623-57* | 820 | 63 | 73 | 62.3 | 0.40 | 1491-84* | 906 | 150 | 165 | 149.1 | 0.60 | | |
| 0643-57* | 821 | 65 | 75 | 64.3 | 0.40 | 1541-84* | 907 | 155 | 170 | 154.1 | 0.60 | | |
| 0693-57* | 823 | 70 | 80 | 69.3 | 0.40 | 1591-84* | 908 | 160 | 175 | 159.1 | 0.60 | | |
| 0743-57* | 826 | 75 | 85 | 74.3 | 0.40 | 1641-84* | 909 | 165 | 180 | 164.1 | 0.60 | | |
| 0793-57* | 828 | 80 | 90 | 79.3 | 0.40 | 1691-84* | 910 | 170 | 185 | 169.1 | 0.60 | | |
| 0843-57* | 831 | 85 | 95 | 84.3 | 0.50 | 1741-84* | 911 | 175 | 190 | 174.1 | 0.60 | | |
| 0893-57* | 833 | 90 | 100 | 89.3 | 0.50 | 1791-84* | 912 | 180 | 195 | 179.1 | 0.60 | | |
| 0943-57* | 835 | 95 | 105 | 94.3 | 0.50 | 1841-84* | 913 | 185 | 200 | 184.1 | 0.80 | | |
| 0993-57* | 837 | 100 | 110 | 99.3 | 0.50 | 1891-84* | 914 | 190 | 205 | 189.1 | 0.80 | | |
| 1043-57* | 838 | 105 | 115 | 104.3 | 0.50 | 1941-84* | 915 | 195 | 210 | 194.1 | 0.80 | | |
| 1093-57* | 839 | 110 | 120 | 109.3 | 0.50 | 1991-84* | 916 | 200 | 215 | 199.1 | 0.80 | | |
| 1143-57* | 840 | 115 | 125 | 114.3 | 0.50 | 2041-84* | 922 | 204 | 220 | 204.1 | 0.80 | | |
| 1193-57* | 841 | 120 | 130 | 119.3 | 0.50 | 2091-84* | 917 | 210 | 225 | 209.1 | 0.80 | | |
| 1243-57* | 842 | 125 | 135 | 124.3 | 0.60 | 2191-84* | 918 | 220 | 235 | 219.1 | 0.80 | | |
| 1293-57* | 843 | 130 | 140 | 129.3 | 0.60 | 2291-84* | 919 | 230 | 245 | 229.1 | 0.80 | | |
| 1343-57* | 844 | 135 | 145 | 134.3 | 0.60 | 2341-84* | 923 | 235 | 250 | 234.1 | 0.80 | | |
| 1393-57* | 845 | 140 | 150 | 139.3 | 0.60 | 2391-84* | 920 | 240 | 255 | 239.1 | 0.80 | | |
| 1443-57* | 846 | 145 | 155 | 144.3 | 0.60 | 2491-84* | 921 | 250 | 265 | 249.1 | 0.80 | | |
| 1493-57 | 847 | 150 | 160 | 149.3 | 0.60 | | | | | | | | |
| 1543-57 | 848 | 155 | 165 | 154.3 | 0.60 | | | | | | | | |
| 1593-57 | 849 | 160 | 170 | 159.3 | 0.60 | | | | | | | | |
| 1643-57 | 850 | 165 | 175 | 164.3 | 0.60 | | | | | | | | |
| 1693-57 | 851 | 170 | 180 | 169.3 | 0.60 | | | | | | | | |
| 1743-57 | 852 | 175 | 185 | 174.3 | 0.60 | | | | | | | | |
| 1793-57 | 853 | 180 | 190 | 179.3 | 0.80 | | | | | | | | |
| 1843-57 | 854 | 185 | 195 | 184.3 | 0.80 | | | | | | | | |
| 1893-57 | 855 | 190 | 200 | 189.3 | 0.80 | | | | | | | | |
| 1943-57 | 856 | 195 | 205 | 194.3 | 0.80 | | | | | | | | |

All dimensions in mm unless stated otherwise.

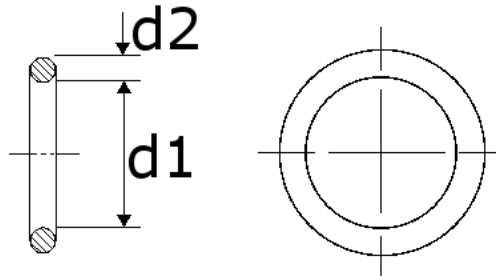
Items marked * are suitable for dynamic applications.



Ordering Reference

Code = Internal Dia (d1) - Cross Section Dia (d2)
 e.g. d1=3mm d2=1.5mm : code = 003-15
 d1=231mm d2=5.0mm : code =231-50

When ordering please specify material.



| Dowty Ref | d1 | Tol on d1 +/- | d2 | Dowty Ref | d1 | Tol on d1 +/- | d2 | Dowty Ref | d1 | Tol on d1 +/- | d2 | Dowty Ref | d1 | Tol on d1 +/- | d2 |
|-----------|----|---------------|----------|-----------|------|---------------|-----|-----------|----------|---------------|------|-----------|----|---------------|-----|
| 206-003 | 3 | 0.15 | 1.5 | 206-058 | 58 | 0.40 | 1.5 | 204-013 | 13 | 0.20 | 2.0 | 204-068 | 68 | 0.40 | 2.0 |
| 206-004 | 4 | 0.15 | | 206-059 | 59 | 0.40 | | 204-014 | 14 | 0.20 | | 204-069 | 69 | 0.40 | |
| 206-005 | 5 | 0.15 | | 206-060 | 60 | 0.40 | | 204-015 | 15 | 0.20 | | 204-070 | 70 | 0.40 | |
| 206-006 | 6 | 0.15 | | 206-061 | 61 | 0.40 | | 204-016 | 16 | 0.20 | | 204-071 | 71 | 0.40 | |
| 206-007 | 7 | 0.15 | | 206-062 | 62 | 0.40 | | 204-017 | 17 | 0.20 | | 204-072 | 72 | 0.40 | |
| 206-008 | 8 | 0.15 | | 206-063 | 63 | 0.40 | | 204-018 | 18 | 0.20 | | 204-073 | 73 | 0.40 | |
| 206-009 | 9 | 0.15 | | 206-064 | 64 | 0.40 | | 204-019 | 19 | 0.25 | | 204-074 | 74 | 0.40 | |
| 206-010 | 10 | 0.20 | 206-065 | 65 | 0.40 | 204-020 | 20 | 0.25 | 204-075 | 75 | 0.40 | | | | |
| 206-011 | 11 | 0.20 | 206-066 | 66 | 0.40 | 204-021 | 21 | 0.25 | 204-076 | 76 | 0.40 | | | | |
| 206-012 | 12 | 0.20 | 206-067 | 67 | 0.40 | 204-022 | 22 | 0.25 | 204-077 | 77 | 0.40 | | | | |
| 206-013 | 13 | 0.20 | 206-068 | 68 | 0.40 | 204-023 | 23 | 0.25 | 204-078 | 78 | 0.40 | | | | |
| 206-014 | 14 | 0.20 | 206-069 | 69 | 0.40 | 204-024 | 24 | 0.25 | 204-079 | 79 | 0.40 | | | | |
| 206-015 | 15 | 0.20 | 206-070 | 70 | 0.40 | 204-025 | 25 | 0.25 | 204-080 | 80 | 0.40 | | | | |
| 206-016 | 16 | 0.20 | 206-071 | 71 | 0.40 | 204-026 | 26 | 0.25 | 204-081 | 81 | 0.50 | | | | |
| 206-017 | 17 | 0.20 | 206-072 | 72 | 0.40 | 204-027 | 27 | 0.25 | 204-082 | 82 | 0.50 | | | | |
| 206-018 | 18 | 0.20 | 206-073 | 73 | 0.40 | 204-028 | 28 | 0.25 | 204-083 | 83 | 0.50 | | | | |
| 206-019 | 19 | 0.25 | 206-074 | 74 | 0.40 | 204-029 | 29 | 0.25 | 204-084 | 84 | 0.50 | | | | |
| 206-020 | 20 | 0.25 | 206-075 | 75 | 0.40 | 204-030 | 30 | 0.25 | 204-085 | 85 | 0.50 | | | | |
| 206-021 | 21 | 0.25 | 206-076 | 76 | 0.40 | 204-031 | 31 | 0.30 | 204-086 | 86 | 0.50 | | | | |
| 206-022 | 22 | 0.25 | 206-077 | 77 | 0.40 | 204-032 | 32 | 0.30 | 204-087 | 87 | 0.50 | | | | |
| 206-023 | 23 | 0.25 | 206-078 | 78 | 0.40 | 204-033 | 33 | 0.30 | 204-088 | 88 | 0.50 | | | | |
| 206-024 | 24 | 0.25 | 206-079 | 79 | 0.40 | 204-034 | 34 | 0.30 | 204-089 | 89 | 0.50 | | | | |
| 206-025 | 25 | 0.25 | 206-080 | 80 | 0.40 | 204-035 | 35 | 0.30 | 204-090 | 90 | 0.50 | | | | |
| 206-026 | 26 | 0.25 | 206-081 | 81 | 0.50 | 204-036 | 36 | 0.30 | 204-091 | 91 | 0.50 | | | | |
| 206-027 | 27 | 0.25 | 206-082 | 82 | 0.50 | 204-037 | 37 | 0.30 | 204-092 | 92 | 0.50 | | | | |
| 206-028 | 28 | 0.25 | 206-083 | 83 | 0.50 | 204-038 | 38 | 0.30 | 204-093 | 93 | 0.50 | | | | |
| 206-029 | 29 | 0.25 | 206-084 | 84 | 0.50 | 204-039 | 39 | 0.30 | 204-094 | 94 | 0.50 | | | | |
| 206-030 | 30 | 0.25 | 206-085 | 85 | 0.50 | 204-040 | 40 | 0.30 | 204-095 | 95 | 0.50 | | | | |
| 206-031 | 31 | 0.30 | 206-086 | 86 | 0.50 | 204-041 | 41 | 0.30 | 204-096 | 96 | 0.50 | | | | |
| 206-032 | 32 | 0.30 | 206-087 | 87 | 0.50 | 204-042 | 42 | 0.30 | 204-097 | 97 | 0.50 | | | | |
| 206-033 | 33 | 0.30 | 206-088 | 88 | 0.50 | 204-043 | 43 | 0.30 | 204-098 | 98 | 0.50 | | | | |
| 206-034 | 34 | 0.30 | 206-089 | 89 | 0.50 | 204-044 | 44 | 0.30 | 204-099 | 99 | 0.50 | | | | |
| 206-035 | 35 | 0.30 | 206-090 | 90 | 0.50 | 204-045 | 45 | 0.30 | 204-100 | 100 | 0.50 | | | | |
| 206-036 | 36 | 0.30 | 206-091 | 91 | 0.50 | 204-046 | 46 | 0.30 | | | | | | | |
| 206-037 | 37 | 0.30 | 206-092 | 92 | 0.50 | 204-047 | 47 | 0.30 | | | | | | | |
| 206-038 | 38 | 0.30 | 206-093 | 93 | 0.50 | 204-048 | 48 | 0.30 | 206-104* | 4 | 0.15 | | | | |
| 206-039 | 39 | 0.30 | 206-094 | 94 | 0.50 | 204-049 | 49 | 0.30 | 206-105* | 5 | 0.15 | | | | |
| 206-040 | 40 | 0.30 | 206-095 | 95 | 0.50 | 204-050 | 50 | 0.30 | 206-106* | 6 | 0.15 | | | | |
| 206-041 | 41 | 0.30 | 206-096 | 96 | 0.50 | 204-051 | 51 | 0.40 | 206-107* | 7 | 0.15 | | | | |
| 206-042 | 42 | 0.30 | 206-097 | 97 | 0.50 | 204-052 | 52 | 0.40 | 206-108* | 8 | 0.15 | | | | |
| 206-043 | 43 | 0.30 | 206-098 | 98 | 0.50 | 204-053 | 53 | 0.40 | 206-109* | 9 | 0.15 | | | | |
| 206-044 | 44 | 0.30 | 206-099 | 99 | 0.50 | 204-054 | 54 | 0.40 | 206-110* | 10 | 0.20 | | | | |
| 206-045 | 45 | 0.30 | 206-100 | 100 | 0.50 | 204-055 | 55 | 0.40 | 206-111* | 11 | 0.20 | | | | |
| 206-046 | 46 | 0.30 | | | | 204-056 | 56 | 0.40 | 206-112* | 12 | 0.20 | | | | |
| 206-047 | 47 | 0.30 | | | | 204-057 | 57 | 0.40 | 206-113* | 13 | 0.20 | | | | |
| 206-048 | 48 | 0.30 | 204-003* | 3 | 0.15 | 204-058 | 58 | 0.40 | 206-114* | 14 | 0.20 | | | | |
| 206-049 | 49 | 0.30 | 204-004* | 4 | 0.15 | 204-059 | 59 | 0.40 | 206-115* | 15 | 0.20 | | | | |
| 206-050 | 50 | 0.30 | 204-005* | 5 | 0.15 | 204-060 | 60 | 0.40 | 206-116* | 16 | 0.20 | | | | |
| 206-051 | 51 | 0.40 | 204-006* | 6 | 0.15 | 204-061 | 61 | 0.40 | 206-117* | 17 | 0.20 | | | | |
| 206-052 | 52 | 0.40 | 204-007* | 7 | 0.15 | 204-062 | 62 | 0.40 | 206-118* | 18 | 0.20 | | | | |
| 206-053 | 53 | 0.40 | 204-008* | 8 | 0.15 | 204-063 | 63 | 0.40 | 206-119* | 19 | 0.25 | | | | |
| 206-054 | 54 | 0.40 | 204-009* | 9 | 0.15 | 204-064 | 64 | 0.40 | 206-120* | 20 | 0.25 | | | | |
| 206-055 | 55 | 0.40 | 204-010* | 10 | 0.20 | 204-065 | 65 | 0.40 | 206-121* | 21 | 0.25 | | | | |
| 206-056 | 56 | 0.40 | 204-011* | 11 | 0.20 | 204-066 | 66 | 0.40 | 206-122* | 22 | 0.25 | | | | |
| 206-057 | 57 | 0.40 | 204-012* | 12 | 0.20 | 204-067 | 67 | 0.40 | 206-123* | 23 | 0.25 | | | | |

All dimensions in mm unless stated otherwise.

Items marked * are suitable for dynamic applications

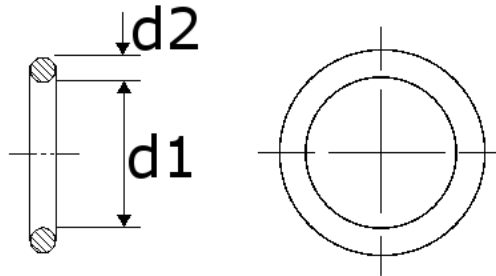
O-Rings: European (German) Metric Range (cont.)



Ordering Reference

Code = Internal Dia (d1) - Cross Section Dia (d2)
e.g. d1=3mm d2=1.5mm : code = 003-15
d1=231mm d2=5.0mm : code =231-50

When ordering please specify material.



| Dowty Ref | d1 | Tol on d1 +/- | d2 | Dowty Ref | d1 | Tol on d1 +/- | d2 | Dowty Ref | d1 | Tol on d1 +/- | d2 | Dowty Ref | d1 | Tol on d1 +/- | d2 |
|-----------|----|---------------|---------|-----------|------|---------------|----------|-----------|----------|---------------|------|-----------|---------|---------------|------|
| 206-124* | 24 | 0.25 | | 206-179 | 79 | 0.40 | | 206-234 | 134 | 0.60 | | 206-339* | 39 | 0.30 | |
| 206-125* | 25 | 0.25 | | 206-180 | 80 | 0.40 | | 206-235 | 135 | 0.60 | | 206-340* | 40 | 0.30 | |
| 206-126 | 26 | 0.25 | | 206-181 | 81 | 0.50 | | 206-236 | 136 | 0.60 | | 206-341* | 41 | 0.30 | |
| 206-127 | 27 | 0.25 | | 206-182 | 82 | 0.50 | | 206-237 | 137 | 0.60 | | 206-342* | 42 | 0.30 | |
| 206-128 | 28 | 0.25 | 206-183 | 83 | 0.50 | 206-238 | 138 | 0.60 | 206-343* | 43 | 0.30 | | | | |
| 206-129 | 29 | 0.25 | 206-184 | 84 | 0.50 | 206-239 | 139 | 0.60 | 206-344* | 44 | 0.30 | 206-345* | 45 | 0.30 | |
| 206-130 | 30 | 0.25 | 206-185 | 85 | 0.50 | 206-240 | 140 | 0.60 | 206-346 | 46 | 0.30 | 206-347 | 47 | 0.30 | |
| 206-131 | 31 | 0.30 | 206-186 | 86 | 0.50 | 206-241 | 141 | 0.60 | 206-348 | 48 | 0.30 | 206-349 | 49 | 0.30 | |
| 206-132 | 32 | 0.30 | 206-187 | 87 | 0.50 | 206-242 | 142 | 0.60 | 2.5 | 206-350 | 50 | 0.30 | 206-351 | 51 | 0.40 |
| 206-133 | 33 | 0.30 | 206-188 | 88 | 0.50 | 206-243 | 143 | 0.60 | +/- 0.08 | 206-352 | 52 | 0.40 | 206-353 | 53 | 0.40 |
| 206-134 | 34 | 0.30 | 206-189 | 89 | 0.50 | 206-244 | 144 | 0.60 | | 206-354 | 54 | 0.40 | 206-355 | 55 | 0.40 |
| 206-135 | 35 | 0.30 | 206-190 | 90 | 0.50 | 206-245 | 145 | 0.60 | | 206-356 | 56 | 0.40 | 206-357 | 57 | 0.40 |
| 206-136 | 36 | 0.30 | 206-191 | 91 | 0.50 | 206-246 | 146 | 0.60 | | 206-358 | 58 | 0.40 | 206-359 | 59 | 0.40 |
| 206-137 | 37 | 0.30 | 206-192 | 92 | 0.50 | 206-247 | 147 | 0.60 | | 206-360 | 60 | 0.40 | 206-361 | 61 | 0.40 |
| 206-138 | 38 | 0.30 | 206-193 | 93 | 0.50 | 206-248 | 148 | 0.60 | 206-362 | 62 | 0.40 | 206-363 | 63 | 0.40 | |
| 206-139 | 39 | 0.30 | 206-194 | 94 | 0.50 | 206-249 | 149 | 0.60 | 206-303* | 3 | 0.15 | 206-364 | 64 | 0.40 | |
| 206-140 | 40 | 0.30 | 206-195 | 95 | 0.50 | 206-250 | 150 | 0.60 | 206-304* | 4 | 0.15 | 206-365 | 65 | 0.40 | |
| 206-141 | 41 | 0.30 | 206-196 | 96 | 0.50 | | 206-305* | 5 | 0.15 | 206-366 | 66 | 0.40 | 206-367 | 67 | 0.40 |
| 206-142 | 42 | 0.30 | 206-197 | 97 | 0.50 | | 206-306* | 6 | 0.15 | 206-368 | 68 | 0.40 | 206-369 | 69 | 0.40 |
| 206-143 | 43 | 0.30 | 206-198 | 98 | 0.50 | | 206-307* | 7 | 0.15 | 206-370 | 70 | 0.40 | 206-371 | 71 | 0.40 |
| 206-144 | 44 | 0.30 | 206-199 | 99 | 0.50 | | 206-308* | 8 | 0.15 | 206-372 | 72 | 0.40 | 206-373 | 73 | 0.40 |
| 206-145 | 45 | 0.30 | 206-200 | 100 | 0.50 | 206-309* | 9 | 0.15 | 206-374 | 74 | 0.40 | 206-375 | 75 | 0.40 | |
| 206-146 | 46 | 0.30 | 206-201 | 101 | 0.50 | 206-310* | 10 | 0.20 | 206-376 | 76 | 0.40 | 206-377 | 77 | 0.40 | |
| 206-147 | 47 | 0.30 | 206-202 | 102 | 0.50 | 206-311* | 11 | 0.20 | 206-378 | 78 | 0.40 | 206-379 | 79 | 0.40 | |
| 206-148 | 48 | 0.30 | 206-203 | 103 | 0.50 | 206-312* | 12 | 0.20 | 206-380 | 80 | 0.40 | 206-381 | 81 | 0.50 | |
| 206-149 | 49 | 0.30 | 206-204 | 104 | 0.50 | 206-313* | 13 | 0.20 | 206-382 | 82 | 0.50 | 206-383 | 83 | 0.50 | |
| 206-150 | 50 | 0.30 | 206-205 | 105 | 0.50 | 206-314* | 14 | 0.20 | 206-384 | 84 | 0.50 | 206-385 | 85 | 0.50 | |
| 206-151 | 51 | 0.40 | 206-206 | 106 | 0.50 | 206-315* | 15 | 0.20 | 206-386 | 86 | 0.50 | 206-387 | 87 | 0.50 | |
| 206-152 | 52 | 0.40 | 206-207 | 107 | 0.50 | 206-316* | 16 | 0.20 | 206-388 | 88 | 0.50 | 206-389 | 89 | 0.50 | |
| 206-153 | 53 | 0.40 | 206-208 | 108 | 0.50 | 206-317* | 17 | 0.20 | 206-390 | 90 | 0.50 | 206-391 | 91 | 0.50 | |
| 206-154 | 54 | 0.40 | 206-209 | 109 | 0.50 | 206-318* | 18 | 0.20 | 206-392 | 92 | 0.50 | 206-393 | 93 | 0.50 | |
| 206-155 | 55 | 0.40 | 206-210 | 110 | 0.50 | 206-319* | 19 | 0.25 | | 206-394 | 94 | 0.50 | 206-395 | 95 | 0.50 |
| 206-156 | 56 | 0.40 | 206-211 | 111 | 0.50 | 206-320* | 20 | 0.25 | | 206-396 | 96 | 0.50 | 206-397 | 97 | 0.50 |
| 206-157 | 57 | 0.40 | 206-212 | 112 | 0.50 | 206-321* | 21 | 0.25 | | 206-398 | 98 | 0.50 | 206-399 | 99 | 0.50 |
| 206-158 | 58 | 0.40 | 206-213 | 113 | 0.50 | 206-322* | 22 | 0.25 | | 206-400 | 100 | 0.50 | 206-401 | 101 | 0.50 |
| 206-159 | 59 | 0.40 | 206-214 | 114 | 0.50 | 206-323* | 23 | 0.25 | 206-402 | 102 | 0.50 | 206-403 | 103 | 0.50 | |
| 206-160 | 60 | 0.40 | 206-215 | 115 | 0.50 | 206-324* | 24 | 0.25 | 206-404 | 104 | 0.50 | 206-405 | 105 | 0.50 | |
| 206-161 | 61 | 0.40 | 206-216 | 116 | 0.50 | 206-325* | 25 | 0.25 | 206-406 | 106 | 0.50 | 206-407 | 107 | 0.50 | |
| 206-162 | 62 | 0.40 | 206-217 | 117 | 0.50 | 206-326* | 26 | 0.25 | 206-408 | 108 | 0.50 | 206-409 | 109 | 0.50 | |
| 206-163 | 63 | 0.40 | 206-218 | 118 | 0.50 | 206-327* | 27 | 0.25 | 206-410 | 110 | 0.50 | 206-411 | 111 | 0.50 | |
| 206-164 | 64 | 0.40 | 206-219 | 119 | 0.50 | 206-328* | 28 | 0.25 | 206-412 | 112 | 0.50 | 206-413 | 113 | 0.50 | |
| 206-165 | 65 | 0.40 | 206-220 | 120 | 0.50 | 206-329* | 29 | 0.25 | 206-414 | 114 | 0.50 | 206-415 | 115 | 0.50 | |
| 206-166 | 66 | 0.40 | 206-221 | 121 | 0.60 | 206-330* | 30 | 0.25 | 206-416 | 116 | 0.60 | 206-417 | 117 | 0.60 | |
| 206-167 | 67 | 0.40 | 206-222 | 122 | 0.60 | 206-331* | 31 | 0.30 | 206-418 | 118 | 0.60 | 206-419 | 119 | 0.60 | |
| 206-168 | 68 | 0.40 | 206-223 | 123 | 0.60 | 206-332* | 32 | 0.30 | 206-420 | 120 | 0.60 | 206-421 | 121 | 0.60 | |
| 206-169 | 69 | 0.40 | 206-224 | 124 | 0.60 | 206-333* | 33 | 0.30 | 206-422 | 122 | 0.60 | 206-423 | 123 | 0.60 | |
| 206-170 | 70 | 0.40 | 206-225 | 125 | 0.60 | 206-334* | 34 | 0.30 | 206-424 | 124 | 0.60 | 206-425 | 125 | 0.60 | |
| 206-171 | 71 | 0.40 | 206-226 | 126 | 0.60 | 206-335* | 35 | 0.30 | 206-426 | 126 | 0.60 | 206-427 | 127 | 0.60 | |
| 206-172 | 72 | 0.40 | 206-227 | 127 | 0.60 | 206-336* | 36 | 0.30 | 206-428 | 128 | 0.60 | 206-429 | 129 | 0.60 | |
| 206-173 | 73 | 0.40 | 206-228 | 128 | 0.60 | 206-337* | 37 | 0.30 | 206-430 | 130 | 0.60 | 206-431 | 131 | 0.60 | |
| 206-174 | 74 | 0.40 | 206-229 | 129 | 0.60 | 206-338* | 38 | 0.30 | 206-432 | 132 | 0.60 | 206-433 | 133 | 0.60 | |
| 206-175 | 75 | 0.40 | 206-230 | 130 | 0.60 | | 206-339* | 39 | 0.30 | 206-434 | 134 | 0.60 | 206-435 | 135 | 0.60 |
| 206-176 | 76 | 0.40 | 206-231 | 131 | 0.60 | | 206-340* | 40 | 0.30 | 206-436 | 136 | 0.60 | 206-437 | 137 | 0.60 |
| 206-177 | 77 | 0.40 | 206-232 | 132 | 0.60 | | 206-341* | 41 | 0.30 | 206-438 | 138 | 0.60 | 206-439 | 139 | 0.60 |
| 206-178 | 78 | 0.40 | 206-233 | 133 | 0.60 | | 206-342* | 42 | 0.30 | 206-440 | 140 | 0.60 | 206-441 | 141 | 0.30 |

All dimensions in mm unless stated otherwise.

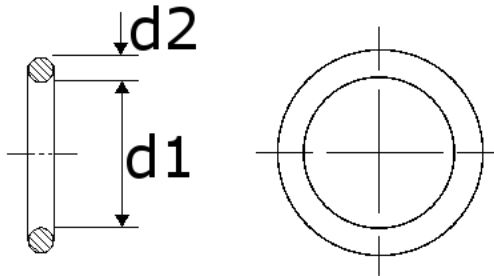
Items marked * are suitable for dynamic applications



Ordering Reference

Code = Internal Dia (d1) - Cross Section Dia (d2)
 e.g. d1=3mm d2=1.5mm : code = 003-15
 d1=231mm d2=5.0mm : code =231-50

When ordering please specify material.



| Dowty Ref | d1 | Tol on d1 +/- | d2 | Dowty Ref | d1 | Tol on d1 +/- | d2 | Dowty Ref | d1 | Tol on d1 +/- | d2 | Dowty Ref | d1 | Tol on d1 +/- | d2 | |
|-----------|-----|---------------|---------|-----------|---------|---------------|-----|-----------|----------|---------------|------|-----------|----------|---------------|----|------|
| 206-394 | 94 | 0.50 | | 206-449 | 149 | 0.60 | | 206-504 | 204 | 0.80 | | 206-564* | 14 | 0.20 | | |
| 206-395 | 95 | 0.50 | | 206-450 | 150 | 0.60 | | 206-505 | 205 | 0.80 | | 206-565* | 15 | 0.20 | | |
| 206-396 | 96 | 0.50 | | 206-451 | 151 | 0.60 | | 206-506 | 206 | 0.80 | | 206-566* | 16 | 0.20 | | |
| 206-397 | 97 | 0.50 | | 206-452 | 152 | 0.60 | | 206-507 | 207 | 0.80 | | 206-567* | 17 | 0.20 | | |
| 206-398 | 98 | 0.50 | 206-453 | 153 | 0.60 | 206-508 | 208 | 0.80 | 206-568* | 18 | 0.20 | | | | | |
| 206-399 | 99 | 0.50 | | 206-454 | 154 | 0.60 | | 206-509 | 209 | 0.80 | | 206-569* | 19 | 0.25 | | |
| 206-400 | 100 | 0.50 | | 206-455 | 155 | 0.60 | | 206-510 | 210 | 0.80 | | 206-570* | 20 | 0.25 | | |
| 206-401 | 101 | 0.50 | | 206-456 | 156 | 0.60 | | 206-511 | 211 | 0.80 | | 206-571* | 21 | 0.25 | | |
| 206-402 | 102 | 0.50 | | 206-457 | 157 | 0.60 | | 206-512 | 212 | 0.80 | | 206-572* | 22 | 0.25 | | |
| 206-403 | 103 | 0.50 | 206-458 | 158 | 0.60 | 206-513 | 213 | 0.80 | 206-573* | 23 | 0.25 | | | | | |
| 206-404 | 104 | 0.50 | | 206-459 | 159 | 0.60 | | 206-514 | 214 | 0.80 | | 206-574* | 24 | 0.25 | | |
| 206-405 | 105 | 0.50 | | 206-460 | 160 | 0.60 | | 206-515 | 215 | 0.80 | | 206-575* | 25 | 0.25 | | |
| 206-406 | 106 | 0.50 | | 206-461 | 161 | 0.60 | | 206-516 | 216 | 0.80 | | 206-576* | 26 | 0.25 | | |
| 206-407 | 107 | 0.50 | | 206-462 | 162 | 0.60 | | 206-517 | 217 | 0.80 | | 206-577* | 27 | 0.25 | | |
| 206-408 | 108 | 0.50 | 206-463 | 163 | 0.60 | 206-518 | 218 | 0.80 | 206-578* | 28 | 0.25 | | | | | |
| 206-409 | 109 | 0.50 | | 206-464 | 164 | 0.60 | | 206-519 | 219 | 0.80 | | 206-579* | 29 | 0.25 | | |
| 206-410 | 110 | 0.50 | | 206-465 | 165 | 0.60 | | 206-520 | 220 | 0.80 | | 206-580* | 30 | 0.25 | | |
| 206-411 | 111 | 0.50 | | 206-466 | 166 | 0.60 | | 206-521 | 221 | 0.80 | | 206-581* | 31 | 0.30 | | |
| 206-412 | 112 | 0.50 | | 206-467 | 167 | 0.60 | | 206-522 | 222 | 0.80 | | 206-582* | 32 | 0.30 | | |
| 206-413 | 113 | 0.50 | 206-468 | 168 | 0.60 | 206-523 | 223 | 0.80 | 206-583* | 33 | 0.30 | | | | | |
| 206-414 | 114 | 0.50 | | 206-469 | 169 | 0.60 | | 206-524 | 224 | 0.80 | | 206-584* | 34 | 0.30 | | |
| 206-415 | 115 | 0.50 | | 206-470 | 170 | 0.60 | | 206-525 | 225 | 0.80 | | 206-585* | 35 | 0.30 | | |
| 206-416 | 116 | 0.50 | | 206-471 | 171 | 0.60 | | 206-526 | 226 | 0.80 | | 206-586* | 36 | 0.30 | | |
| 206-417 | 117 | 0.50 | | 206-472 | 172 | 0.60 | | 206-527 | 227 | 0.80 | | 206-587* | 37 | 0.30 | | |
| 206-418 | 118 | 0.50 | 206-473 | 173 | 0.60 | 206-528 | 228 | 0.80 | +/- 0.10 | 206-588* | 38 | 0.30 | | | | |
| 206-419 | 119 | 0.50 | | 206-474 | 174 | 0.60 | | 206-529 | 229 | 0.80 | | 206-589* | 39 | 0.30 | | |
| 206-420 | 120 | 0.50 | | 206-475 | 175 | 0.60 | | 206-530 | 230 | 0.80 | | 206-590* | 40 | 0.30 | | |
| 206-421 | 121 | 0.60 | | 206-476 | 176 | 0.60 | | 206-531 | 231 | 0.80 | | 206-591* | 41 | 0.30 | | |
| 206-422 | 122 | 0.60 | | +/- 0.10 | 206-477 | 177 | | 0.60 | 206-532 | 232 | | 0.80 | 206-592* | 42 | | 0.30 |
| 206-423 | 123 | 0.60 | 206-478 | 178 | 0.60 | 206-533 | 233 | 0.80 | 206-593* | 43 | 0.30 | | | | | |
| 206-424 | 124 | 0.60 | | 206-479 | 179 | 0.60 | | 206-534 | 234 | 0.80 | | 206-594* | 44 | 0.30 | | |
| 206-425 | 125 | 0.60 | | 206-480 | 180 | 0.60 | | 206-535 | 235 | 0.80 | | 206-595* | 45 | 0.30 | | |
| 206-426 | 126 | 0.60 | | 206-481 | 181 | 0.80 | | 206-536 | 236 | 0.80 | | 206-596* | 46 | 0.30 | | |
| 206-427 | 127 | 0.60 | | 206-482 | 182 | 0.80 | | 206-537 | 237 | 0.80 | | 206-597* | 47 | 0.30 | | |
| 206-428 | 128 | 0.60 | 206-483 | 183 | 0.80 | 206-538 | 238 | 0.80 | 206-598* | 48 | 0.30 | | | | | |
| 206-429 | 129 | 0.60 | | 206-484 | 184 | 0.80 | | 206-539 | 239 | 0.80 | | 206-599* | 49 | 0.30 | | |
| 206-430 | 130 | 0.60 | | 206-485 | 185 | 0.80 | | 206-540 | 240 | 0.80 | | 206-600* | 50 | 0.30 | | |
| 206-431 | 131 | 0.60 | | 206-486 | 186 | 0.80 | | 206-541 | 241 | 0.80 | | 206-601* | 51 | 0.40 | | |
| 206-432 | 132 | 0.60 | | 206-487 | 187 | 0.80 | | 206-542 | 242 | 0.80 | | 206-602* | 52 | 0.40 | | |
| 206-433 | 133 | 0.60 | 206-488 | 188 | 0.80 | 206-543 | 243 | 0.80 | 206-603* | 53 | 0.40 | | | | | |
| 206-434 | 134 | 0.60 | | 206-489 | 189 | 0.80 | | 206-544 | 244 | 0.80 | | 206-604* | 54 | 0.40 | | |
| 206-435 | 135 | 0.60 | | 206-490 | 190 | 0.80 | | 206-545 | 245 | 0.80 | | 206-605* | 55 | 0.40 | | |
| 206-436 | 136 | 0.60 | | 206-491 | 191 | 0.80 | | 206-546 | 246 | 0.80 | | 206-606* | 56 | 0.40 | | |
| 206-437 | 137 | 0.60 | | 206-492 | 192 | 0.80 | | 206-547 | 247 | 0.80 | | 206-607* | 57 | 0.40 | | |
| 206-438 | 138 | 0.60 | 206-493 | 193 | 0.80 | 206-548 | 248 | 0.80 | 206-608* | 58 | 0.40 | | | | | |
| 206-439 | 139 | 0.60 | | 206-494 | 194 | 0.80 | | 206-549 | 249 | 0.80 | | 206-609* | 59 | 0.40 | | |
| 206-440 | 140 | 0.60 | | 206-495 | 195 | 0.80 | | 206-550 | 250 | 0.80 | | 206-610* | 60 | 0.40 | | |
| 206-441 | 141 | 0.60 | | 206-496 | 196 | 0.80 | | | | | | 206-611 | 61 | 0.40 | | |
| 206-442 | 142 | 0.60 | | 206-497 | 197 | 0.80 | | | | | | 206-612 | 62 | 0.40 | | |
| 206-443 | 143 | 0.60 | 206-498 | 198 | 0.80 | 206-558* | 8 | 0.15 | | 206-613 | 63 | 0.40 | | | | |
| 206-444 | 144 | 0.60 | | 206-499 | 199 | 0.80 | | 206-559* | 9 | 0.15 | | 206-614 | 64 | 0.40 | | |
| 206-445 | 145 | 0.60 | | 206-500 | 200 | 0.80 | | 206-560* | 10 | 0.20 | | +/- 0.10 | 206-615 | 65 | | 0.40 |
| 206-446 | 146 | 0.60 | | 206-501 | 201 | 0.80 | | 206-561* | 11 | 0.20 | | 206-616 | 66 | 0.40 | | |
| 206-447 | 147 | 0.60 | | 206-502 | 202 | 0.80 | | 206-562* | 12 | 0.20 | | 206-617 | 67 | 0.40 | | |
| 206-448 | 148 | 0.60 | 206-503 | 203 | 0.80 | 206-563* | 13 | 0.20 | | 206-618 | 68 | 0.40 | | | | |

All dimensions in mm unless stated otherwise.

Items marked * are suitable for dynamic applications

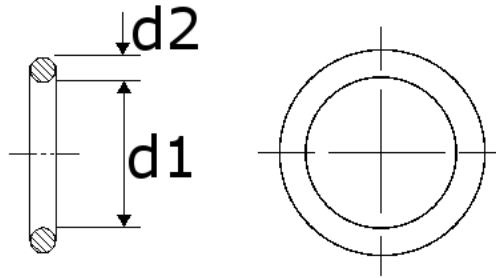
O-Rings:
European (German) Metric Range (cont.)



Ordering Reference

Code = Internal Dia (d1) - Cross Section Dia (d2)
 e.g. d1=3mm d2=1.5mm : code = 003-15
 d1=231mm d2=5.0mm : code =231-50

When ordering please specify material.



| Dowty Ref | d1 | Tol on d1 +/- | d2 | Dowty Ref | d1 | Tol on d1 +/- | d2 | Dowty Ref | d1 | Tol on d1 +/- | d2 | Dowty Ref | d1 | Tol on d1 +/- | d2 |
|-----------|-----|---------------|----------|-----------|-----|---------------|----------|-----------|-----|---------------|----------|-----------|-----|---------------|----------|
| 206-619 | 69 | 0.40 | | 206-674 | 124 | 0.60 | | 206-729 | 179 | 0.60 | | 206-784 | 234 | 0.80 | |
| 206-620 | 70 | 0.40 | | 206-675 | 125 | 0.60 | | 206-730 | 180 | 0.60 | | 206-785 | 235 | 0.80 | |
| 206-621 | 71 | 0.40 | | 206-676 | 126 | 0.60 | | 206-731 | 181 | 0.80 | | 206-786 | 236 | 0.80 | |
| 206-622 | 72 | 0.40 | | 206-677 | 127 | 0.60 | | 206-732 | 182 | 0.80 | | 206-787 | 237 | 0.80 | |
| 206-623 | 73 | 0.40 | | 206-678 | 128 | 0.60 | | 206-733 | 183 | 0.80 | | 206-788 | 238 | 0.80 | |
| 206-624 | 74 | 0.40 | | 206-679 | 129 | 0.60 | | 206-734 | 184 | 0.80 | | 206-789 | 239 | 0.80 | |
| 206-625 | 75 | 0.40 | | 206-680 | 130 | 0.60 | | 206-735 | 185 | 0.80 | | 206-790 | 240 | 0.80 | |
| 206-626 | 76 | 0.40 | | 206-681 | 131 | 0.60 | | 206-736 | 186 | 0.80 | | 206-791 | 241 | 0.80 | |
| 206-627 | 77 | 0.40 | | 206-682 | 132 | 0.60 | | 206-737 | 187 | 0.80 | | 206-792 | 242 | 0.80 | |
| 206-628 | 78 | 0.40 | | 206-683 | 133 | 0.60 | | 206-738 | 188 | 0.80 | | 206-793 | 243 | 0.80 | |
| 206-629 | 79 | 0.40 | | 206-684 | 134 | 0.60 | | 206-739 | 189 | 0.80 | | 206-794 | 244 | 0.80 | |
| 206-630 | 80 | 0.40 | | 206-685 | 135 | 0.60 | | 206-740 | 190 | 0.80 | | 206-795 | 245 | 0.80 | |
| 206-631 | 81 | 0.50 | | 206-686 | 136 | 0.60 | | 206-741 | 191 | 0.80 | | 206-796 | 246 | 0.80 | |
| 206-632 | 82 | 0.50 | | 206-687 | 137 | 0.60 | | 206-742 | 192 | 0.80 | | 206-797 | 247 | 0.80 | |
| 206-633 | 83 | 0.50 | | 206-688 | 138 | 0.60 | | 206-743 | 193 | 0.80 | | 206-798 | 248 | 0.80 | |
| 206-634 | 84 | 0.50 | | 206-689 | 139 | 0.60 | | 206-744 | 194 | 0.80 | | 206-799 | 249 | 0.80 | |
| 206-635 | 85 | 0.50 | | 206-690 | 140 | 0.60 | | 206-745 | 195 | 0.80 | | 206-800 | 250 | 0.80 | |
| 206-636 | 86 | 0.50 | | 206-691 | 141 | 0.60 | | 206-746 | 196 | 0.80 | | 206-801 | 251 | 1.00 | |
| 206-637 | 87 | 0.50 | | 206-692 | 142 | 0.60 | | 206-747 | 197 | 0.80 | | 206-802 | 252 | 1.00 | |
| 206-638 | 88 | 0.50 | | 206-693 | 143 | 0.60 | | 206-748 | 198 | 0.80 | | 206-803 | 253 | 1.00 | |
| 206-639 | 89 | 0.50 | | 206-694 | 144 | 0.60 | | 206-749 | 199 | 0.80 | | 206-804 | 254 | 1.00 | |
| 206-640 | 90 | 0.50 | | 206-695 | 145 | 0.60 | | 206-750 | 200 | 0.80 | | 206-805 | 255 | 1.00 | |
| 206-641 | 91 | 0.50 | | 206-696 | 146 | 0.60 | | 206-751 | 201 | 0.80 | | 206-806 | 256 | 1.00 | |
| 206-642 | 92 | 0.50 | | 206-697 | 147 | 0.60 | | 206-752 | 202 | 0.80 | | 206-807 | 257 | 1.00 | |
| 206-643 | 93 | 0.50 | | 206-698 | 148 | 0.60 | | 206-753 | 203 | 0.80 | | 206-808 | 258 | 1.00 | |
| 206-644 | 94 | 0.50 | | 206-699 | 149 | 0.60 | | 206-754 | 204 | 0.80 | | 206-809 | 259 | 1.00 | |
| 206-645 | 95 | 0.50 | | 206-700 | 150 | 0.60 | | 206-755 | 205 | 0.80 | | 206-810 | 260 | 1.00 | |
| 206-646 | 96 | 0.50 | 3.5 | 206-701 | 151 | 0.60 | 3.5 | 206-756 | 206 | 0.80 | 3.5 | 206-811 | 261 | 1.00 | 3.5 |
| 206-647 | 97 | 0.50 | +/- 0.10 | 206-702 | 152 | 0.60 | +/- 0.10 | 206-757 | 207 | 0.80 | +/- 0.10 | 206-812 | 262 | 1.00 | +/- 0.10 |
| 206-648 | 98 | 0.50 | | 206-703 | 153 | 0.60 | | 206-758 | 208 | 0.80 | | 206-813 | 263 | 1.00 | |
| 206-649 | 99 | 0.50 | | 206-704 | 154 | 0.60 | | 206-759 | 209 | 0.80 | | 206-814 | 264 | 1.00 | |
| 206-650 | 100 | 0.50 | | 206-705 | 155 | 0.60 | | 206-760 | 210 | 0.80 | | 206-815 | 265 | 1.00 | |
| 206-651 | 101 | 0.50 | | 206-706 | 156 | 0.60 | | 206-761 | 211 | 0.80 | | 206-816 | 266 | 1.00 | |
| 206-652 | 102 | 0.50 | | 206-707 | 157 | 0.60 | | 206-762 | 212 | 0.80 | | 206-817 | 267 | 1.00 | |
| 206-653 | 103 | 0.50 | | 206-708 | 158 | 0.60 | | 206-763 | 213 | 0.80 | | 206-818 | 268 | 1.00 | |
| 206-654 | 104 | 0.50 | | 206-709 | 159 | 0.60 | | 206-764 | 214 | 0.80 | | 206-819 | 269 | 1.00 | |
| 206-655 | 105 | 0.50 | | 206-710 | 160 | 0.60 | | 206-765 | 215 | 0.80 | | 206-820 | 270 | 1.00 | |
| 206-656 | 106 | 0.50 | | 206-711 | 161 | 0.60 | | 206-766 | 216 | 0.80 | | 206-821 | 271 | 1.00 | |
| 206-657 | 107 | 0.50 | | 206-712 | 162 | 0.60 | | 206-767 | 217 | 0.80 | | 206-822 | 272 | 1.00 | |
| 206-658 | 108 | 0.50 | | 206-713 | 163 | 0.60 | | 206-768 | 218 | 0.80 | | 206-823 | 273 | 1.00 | |
| 206-659 | 109 | 0.50 | | 206-714 | 164 | 0.60 | | 206-769 | 219 | 0.80 | | 206-824 | 274 | 1.00 | |
| 206-660 | 110 | 0.50 | | 206-715 | 165 | 0.60 | | 206-770 | 220 | 0.80 | | 206-825 | 275 | 1.00 | |
| 206-661 | 111 | 0.50 | | 206-716 | 166 | 0.60 | | 206-771 | 221 | 0.80 | | 206-826 | 276 | 1.00 | |
| 206-662 | 112 | 0.50 | | 206-717 | 167 | 0.60 | | 206-772 | 222 | 0.80 | | 206-827 | 277 | 1.00 | |
| 206-663 | 113 | 0.50 | | 206-718 | 168 | 0.60 | | 206-773 | 223 | 0.80 | | 206-828 | 278 | 1.00 | |
| 206-664 | 114 | 0.50 | | 206-719 | 169 | 0.60 | | 206-774 | 224 | 0.80 | | 206-829 | 279 | 1.00 | |
| 206-665 | 115 | 0.50 | | 206-720 | 170 | 0.60 | | 206-775 | 225 | 0.80 | | 206-830 | 280 | 1.00 | |
| 206-666 | 116 | 0.50 | | 206-721 | 171 | 0.60 | | 206-776 | 226 | 0.80 | | 206-831 | 281 | 1.00 | |
| 206-667 | 117 | 0.50 | | 206-722 | 172 | 0.60 | | 206-777 | 227 | 0.80 | | 206-832 | 282 | 1.00 | |
| 206-668 | 118 | 0.50 | | 206-723 | 173 | 0.60 | | 206-778 | 228 | 0.80 | | 206-833 | 283 | 1.00 | |
| 206-669 | 119 | 0.50 | | 206-724 | 174 | 0.60 | | 206-779 | 229 | 0.80 | | 206-834 | 284 | 1.00 | |
| 206-670 | 120 | 0.50 | | 206-725 | 175 | 0.60 | | 206-780 | 230 | 0.80 | | 206-835 | 285 | 1.00 | |
| 206-671 | 121 | 0.60 | | 206-726 | 176 | 0.60 | | 206-781 | 231 | 0.80 | | 206-836 | 286 | 1.00 | |
| 206-672 | 122 | 0.60 | | 206-727 | 177 | 0.60 | | 206-782 | 232 | 0.80 | | 206-837 | 287 | 1.00 | |
| 206-673 | 123 | 0.60 | | 206-728 | 178 | 0.60 | | 206-783 | 233 | 0.80 | | 206-838 | 288 | 1.00 | |

All dimensions in mm unless stated otherwise.

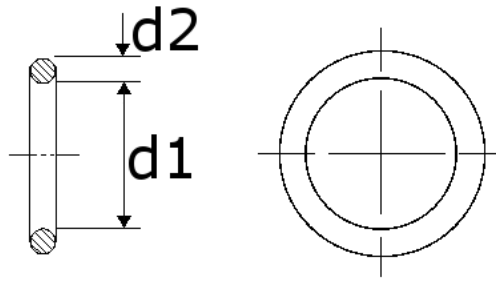
Items marked * are suitable for dynamic applications



Ordering Reference

Code = Internal Dia (d1) - Cross Section Dia (d2)
 e.g. d1=3mm d2=1.5mm : code = 003-15
 d1=231mm d2=5.0mm : code =231-50

When ordering please specify material.



| Dowty Ref | d1 | Tol on d1 +/- | d2 | Dowty Ref | d1 | Tol on d1 +/- | d2 | Dowty Ref | d1 | Tol on d1 +/- | d2 | Dowty Ref | d1 | Tol on d1 +/- | d2 |
|-----------|-----|---------------|--------------|-----------|-----|---------------|--------------|-----------|-----|---------------|--------------|-----------|----|---------------|--------------|
| 206-839 | 289 | 1.00 | 3.5 | 206-894 | 344 | 1.50 | 3.5 | 206-949 | 399 | 1.50 | 3.5 | 204-115* | 15 | 0.20 | 4.0 |
| 206-840 | 290 | 1.00 | | 206-895 | 345 | 1.50 | | 206-950 | 400 | 1.50 | | 204-116* | 16 | 0.20 | |
| 206-841 | 291 | 1.00 | | 206-896 | 346 | 1.50 | | 206-951 | 401 | 2.00 | | 204-117* | 17 | 0.20 | |
| 206-842 | 292 | 1.00 | | 206-897 | 347 | 1.50 | | 206-952 | 402 | 2.00 | | 204-118* | 18 | 0.20 | |
| 206-843 | 293 | 1.00 | | 206-898 | 348 | 1.50 | | 206-953 | 403 | 2.00 | | 204-119* | 19 | 0.25 | |
| 206-844 | 294 | 1.00 | 3.5 +/- 0.10 | 206-899 | 349 | 1.50 | 3.5 +/- 0.10 | 206-954 | 404 | 2.00 | 3.5 +/- 0.10 | 204-120* | 20 | 0.25 | 4.0 +/- 0.12 |
| 206-845 | 295 | 1.00 | | 206-900 | 350 | 1.50 | | 206-955 | 405 | 2.00 | | 204-121* | 21 | 0.25 | |
| 206-846 | 296 | 1.00 | | 206-901 | 351 | 1.50 | | 206-956 | 406 | 2.00 | | 204-122* | 22 | 0.25 | |
| 206-847 | 297 | 1.00 | | 206-902 | 352 | 1.50 | | 206-957 | 407 | 2.00 | | 204-123* | 23 | 0.25 | |
| 206-848 | 298 | 1.00 | | 206-903 | 353 | 1.50 | | 206-958 | 408 | 2.00 | | 204-124* | 24 | 0.25 | |
| 206-849 | 299 | 1.00 | 3.5 +/- 0.10 | 206-904 | 354 | 1.50 | 3.5 +/- 0.10 | 206-959 | 409 | 2.00 | 3.5 +/- 0.10 | 204-125* | 25 | 0.25 | 4.0 +/- 0.12 |
| 206-850 | 300 | 1.00 | | 206-905 | 355 | 1.50 | | 206-960 | 410 | 2.00 | | 204-126* | 26 | 0.25 | |
| 206-851 | 301 | 1.50 | | 206-906 | 356 | 1.50 | | 206-961 | 411 | 2.00 | | 204-127* | 27 | 0.25 | |
| 206-852 | 302 | 1.50 | | 206-907 | 357 | 1.50 | | 206-962 | 412 | 2.00 | | 204-128* | 28 | 0.25 | |
| 206-853 | 303 | 1.50 | | 206-908 | 358 | 1.50 | | 206-963 | 413 | 2.00 | | 204-129* | 29 | 0.25 | |
| 206-854 | 304 | 1.50 | 3.5 +/- 0.10 | 206-909 | 359 | 1.50 | 3.5 +/- 0.10 | 206-964 | 414 | 2.00 | 3.5 +/- 0.10 | 204-130* | 30 | 0.25 | 4.0 +/- 0.12 |
| 206-855 | 305 | 1.50 | | 206-910 | 360 | 1.50 | | 206-965 | 415 | 2.00 | | 204-131* | 31 | 0.30 | |
| 206-856 | 306 | 1.50 | | 206-911 | 361 | 1.50 | | 206-966 | 416 | 2.00 | | 204-132* | 32 | 0.30 | |
| 206-857 | 307 | 1.50 | | 206-912 | 362 | 1.50 | | 206-967 | 417 | 2.00 | | 204-133* | 33 | 0.30 | |
| 206-858 | 308 | 1.50 | | 206-913 | 363 | 1.50 | | 206-968 | 418 | 2.00 | | 204-134* | 34 | 0.30 | |
| 206-859 | 309 | 1.50 | 3.5 +/- 0.10 | 206-914 | 364 | 1.50 | 3.5 +/- 0.10 | 206-969 | 419 | 2.00 | 3.5 +/- 0.10 | 204-135* | 35 | 0.30 | 4.0 +/- 0.12 |
| 206-860 | 310 | 1.50 | | 206-915 | 365 | 1.50 | | 206-970 | 420 | 2.00 | | 204-136* | 36 | 0.30 | |
| 206-861 | 311 | 1.50 | | 206-916 | 366 | 1.50 | | 206-971 | 421 | 2.00 | | 204-137* | 37 | 0.30 | |
| 206-862 | 312 | 1.50 | | 206-917 | 367 | 1.50 | | 206-972 | 422 | 2.00 | | 204-138* | 38 | 0.30 | |
| 206-863 | 313 | 1.50 | | 206-918 | 368 | 1.50 | | 206-973 | 423 | 2.00 | | 204-139* | 39 | 0.30 | |
| 206-864 | 314 | 1.50 | 3.5 +/- 0.10 | 206-919 | 369 | 1.50 | 3.5 +/- 0.10 | 206-974 | 424 | 2.00 | 3.5 +/- 0.10 | 204-140* | 40 | 0.30 | 4.0 +/- 0.12 |
| 206-865 | 315 | 1.50 | | 206-920 | 370 | 1.50 | | 206-975 | 425 | 2.00 | | 204-141* | 41 | 0.30 | |
| 206-866 | 316 | 1.50 | | 206-921 | 371 | 1.50 | | 206-976 | 426 | 2.00 | | 204-142* | 42 | 0.30 | |
| 206-867 | 317 | 1.50 | | 206-922 | 372 | 1.50 | | 206-977 | 427 | 2.00 | | 204-143* | 43 | 0.30 | |
| 206-868 | 318 | 1.50 | | 206-923 | 373 | 1.50 | | 206-978 | 428 | 2.00 | | 204-144* | 44 | 0.30 | |
| 206-869 | 319 | 1.50 | 3.5 +/- 0.10 | 206-924 | 374 | 1.50 | 3.5 +/- 0.10 | 206-979 | 429 | 2.00 | 3.5 +/- 0.10 | 204-145* | 45 | 0.30 | 4.0 +/- 0.12 |
| 206-870 | 320 | 1.50 | | 206-925 | 375 | 1.50 | | 206-980 | 430 | 2.00 | | 204-146* | 46 | 0.30 | |
| 206-871 | 321 | 1.50 | | 206-926 | 376 | 1.50 | | 206-981 | 431 | 2.00 | | 204-147* | 47 | 0.30 | |
| 206-872 | 322 | 1.50 | | 206-927 | 377 | 1.50 | | 206-982 | 432 | 2.00 | | 204-148* | 48 | 0.30 | |
| 206-873 | 323 | 1.50 | | 206-928 | 378 | 1.50 | | 206-983 | 433 | 2.00 | | 204-149* | 49 | 0.30 | |
| 206-874 | 324 | 1.50 | 3.5 +/- 0.10 | 206-929 | 379 | 1.50 | 3.5 +/- 0.10 | 206-984 | 434 | 2.00 | 3.5 +/- 0.10 | 204-150* | 50 | 0.30 | 4.0 +/- 0.12 |
| 206-875 | 325 | 1.50 | | 206-930 | 380 | 1.50 | | 206-985 | 435 | 2.00 | | 204-151* | 51 | 0.40 | |
| 206-876 | 326 | 1.50 | | 206-931 | 381 | 1.50 | | 206-986 | 436 | 2.00 | | 204-152* | 52 | 0.40 | |
| 206-877 | 327 | 1.50 | | 206-932 | 382 | 1.50 | | 206-987 | 437 | 2.00 | | 204-153* | 53 | 0.40 | |
| 206-878 | 328 | 1.50 | | 206-933 | 383 | 1.50 | | 206-988 | 438 | 2.00 | | 204-154* | 54 | 0.40 | |
| 206-879 | 329 | 1.50 | 3.5 +/- 0.10 | 206-934 | 384 | 1.50 | 3.5 +/- 0.10 | 206-989 | 439 | 2.00 | 3.5 +/- 0.10 | 204-155* | 55 | 0.40 | 4.0 +/- 0.12 |
| 206-880 | 330 | 1.50 | | 206-935 | 385 | 1.50 | | 206-990 | 440 | 2.00 | | 204-156* | 56 | 0.40 | |
| 206-881 | 331 | 1.50 | | 206-936 | 386 | 1.50 | | | | | | 204-157* | 57 | 0.40 | |
| 206-882 | 332 | 1.50 | | 206-937 | 387 | 1.50 | | | | | | 204-158* | 58 | 0.40 | |
| 206-883 | 333 | 1.50 | | 206-938 | 388 | 1.50 | | 204-104* | 4 | 0.15 | | 204-159* | 59 | 0.40 | |
| 206-884 | 334 | 1.50 | 3.5 +/- 0.10 | 206-939 | 389 | 1.50 | 3.5 +/- 0.10 | 204-105* | 5 | 0.15 | 3.5 +/- 0.10 | 204-160* | 60 | 0.40 | 4.0 +/- 0.12 |
| 206-885 | 335 | 1.50 | | 206-940 | 390 | 1.50 | | 204-106* | 6 | 0.15 | | 204-161* | 61 | 0.40 | |
| 206-886 | 336 | 1.50 | | 206-941 | 391 | 1.50 | | 204-107* | 7 | 0.15 | | 204-162* | 62 | 0.40 | |
| 206-887 | 337 | 1.50 | | 206-942 | 392 | 1.50 | | 204-108* | 8 | 0.15 | | 204-163* | 63 | 0.40 | |
| 206-888 | 338 | 1.50 | | 206-943 | 393 | 1.50 | | 204-109* | 9 | 0.15 | | 204-164* | 64 | 0.40 | |
| 206-889 | 339 | 1.50 | 3.5 +/- 0.10 | 206-944 | 394 | 1.50 | 3.5 +/- 0.10 | 204-110* | 10 | 0.20 | 3.5 +/- 0.10 | 204-165* | 65 | 0.40 | 4.0 +/- 0.12 |
| 206-890 | 340 | 1.50 | | 206-945 | 395 | 1.50 | | 204-111* | 11 | 0.20 | | 204-166* | 66 | 0.40 | |
| 206-891 | 341 | 1.50 | | 206-946 | 396 | 1.50 | | 204-112* | 12 | 0.20 | | 204-167* | 67 | 0.40 | |
| 206-892 | 342 | 1.50 | | 206-947 | 397 | 1.50 | | 204-113* | 13 | 0.20 | | 204-168* | 68 | 0.40 | |
| 206-893 | 343 | 1.50 | | 206-948 | 398 | 1.50 | | 204-114* | 14 | 0.20 | | 204-169* | 69 | 0.40 | |

All dimensions in mm unless stated otherwise.

Items marked * are suitable for dynamic applications

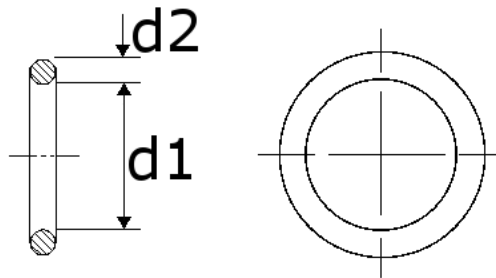
O-Rings: European (German) Metric Range (cont.)



Ordering Reference

Code = Internal Dia (d1) – Cross Section Dia (d2)
 e.g. d1=3mm d2=1.5mm : code=003-15
 d2=231mm d2=5.0mm : code=231-50

When ordering please specify material.



| Dowty Ref | d1 | Tol on d1 +/- | d2 | Dowty Ref | d1 | Tol on d1 +/- | d2 | Dowty Ref | d1 | Tol on d1 +/- | d2 | Dowty Ref | d1 | Tol on d1 +/- | d2 |
|-----------|-----|---------------|---------|-----------|------|---------------|-----|-----------|---------|---------------|------|-----------|-----|---------------|----|
| 204-170* | 70 | 0.40 | | 204-225 | 125 | 0.60 | | 204-280 | 180 | 0.60 | | 204-335 | 235 | 0.80 | |
| 204-171* | 71 | 0.40 | | 204-226 | 126 | 0.60 | | 204-281 | 181 | 0.80 | | 204-336 | 236 | 0.80 | |
| 204-172* | 72 | 0.40 | | 204-227 | 127 | 0.60 | | 204-282 | 182 | 0.80 | | 204-337 | 237 | 0.80 | |
| 204-173* | 73 | 0.40 | | 204-228 | 128 | 0.60 | | 204-283 | 183 | 0.80 | | 204-338 | 238 | 0.80 | |
| 204-174* | 74 | 0.40 | 204-229 | 129 | 0.60 | 204-284 | 184 | 0.80 | 204-339 | 239 | 0.80 | | | | |
| 204-175* | 75 | 0.40 | | 204-230 | 130 | 0.60 | | 204-285 | 185 | 0.80 | | 204-340 | 240 | 0.80 | |
| 204-176* | 76 | 0.40 | | 204-231 | 131 | 0.60 | | 204-286 | 186 | 0.80 | | 204-341 | 241 | 0.80 | |
| 204-177* | 77 | 0.40 | | 204-232 | 132 | 0.60 | | 204-287 | 187 | 0.80 | | 204-342 | 242 | 0.80 | |
| 204-178* | 78 | 0.40 | | 204-233 | 133 | 0.60 | | 204-288 | 188 | 0.80 | | 204-343 | 243 | 0.80 | |
| 204-179* | 79 | 0.40 | | 204-234 | 134 | 0.60 | | 204-289 | 189 | 0.80 | | 204-344 | 244 | 0.80 | |
| 204-180* | 80 | 0.40 | | 204-235 | 135 | 0.60 | | 204-290 | 190 | 0.80 | | 204-345 | 245 | 0.80 | |
| 204-181 | 81 | 0.50 | | 204-236 | 136 | 0.60 | | 204-291 | 191 | 0.80 | | 204-346 | 246 | 0.80 | |
| 204-182 | 82 | 0.50 | | 204-237 | 137 | 0.60 | | 204-292 | 192 | 0.80 | | 204-347 | 247 | 0.80 | |
| 204-183 | 83 | 0.50 | | 204-238 | 138 | 0.60 | | 204-293 | 193 | 0.80 | | 204-348 | 248 | 0.80 | |
| 204-184 | 84 | 0.50 | | 204-239 | 139 | 0.60 | | 204-294 | 194 | 0.80 | | 204-349 | 249 | 0.80 | |
| 204-185 | 85 | 0.50 | | 204-240 | 140 | 0.60 | | 204-295 | 195 | 0.80 | | 204-350 | 250 | 0.80 | |
| 204-186 | 86 | 0.50 | | 204-241 | 141 | 0.60 | | 204-296 | 196 | 0.80 | | 204-351 | 251 | 1.00 | |
| 204-187 | 87 | 0.50 | | 204-242 | 142 | 0.60 | | 204-297 | 197 | 0.80 | | 204-352 | 252 | 1.00 | |
| 204-188 | 88 | 0.50 | | 204-243 | 143 | 0.60 | | 204-298 | 198 | 0.80 | | 204-353 | 253 | 1.00 | |
| 204-189 | 89 | 0.50 | | 204-244 | 144 | 0.60 | | 204-299 | 199 | 0.80 | | 204-354 | 254 | 1.00 | |
| 204-190 | 90 | 0.50 | | 204-245 | 145 | 0.60 | | 204-300 | 200 | 0.80 | | 204-355 | 255 | 1.00 | |
| 204-191 | 91 | 0.50 | | 204-246 | 146 | 0.60 | | 204-301 | 201 | 0.80 | | 204-356 | 256 | 1.00 | |
| 204-192 | 92 | 0.50 | | 204-247 | 147 | 0.60 | | 204-302 | 202 | 0.80 | | 204-357 | 257 | 1.00 | |
| 204-193 | 93 | 0.50 | | 204-248 | 148 | 0.60 | | 204-303 | 203 | 0.80 | | 204-358 | 258 | 1.00 | |
| 204-194 | 94 | 0.50 | | 204-249 | 149 | 0.60 | | 204-304 | 204 | 0.80 | | 204-359 | 259 | 1.00 | |
| 204-195 | 95 | 0.50 | | 204-250 | 150 | 0.60 | | 204-305 | 205 | 0.80 | | 204-360 | 260 | 1.00 | |
| 204-196 | 96 | 0.50 | | 204-251 | 151 | 0.60 | | 204-306 | 206 | 0.80 | | 204-361 | 261 | 1.00 | |
| 204-197 | 97 | 0.50 | | 204-252 | 152 | 0.60 | | 204-307 | 207 | 0.80 | | 204-362 | 262 | 1.00 | |
| 204-198 | 98 | 0.50 | | 204-253 | 153 | 0.60 | | 204-308 | 208 | 0.80 | | 204-363 | 263 | 1.00 | |
| 204-199 | 99 | 0.50 | 204-254 | 154 | 0.60 | 204-309 | 209 | 0.80 | 204-364 | 264 | 1.00 | | | | |
| 204-200 | 100 | 0.50 | | 204-255 | 155 | 0.60 | | 204-310 | 210 | 0.80 | | 204-365 | 265 | 1.00 | |
| 204-201 | 101 | 0.50 | | 204-256 | 156 | 0.60 | | 204-311 | 211 | 0.80 | | 204-366 | 266 | 1.00 | |
| 204-202 | 102 | 0.50 | | 204-257 | 157 | 0.60 | | 204-312 | 212 | 0.80 | | 204-367 | 267 | 1.00 | |
| 204-203 | 103 | 0.50 | | 204-258 | 158 | 0.60 | | 204-313 | 213 | 0.80 | | 204-368 | 268 | 1.00 | |
| 204-204 | 104 | 0.50 | | 204-259 | 159 | 0.60 | | 204-314 | 214 | 0.80 | | 204-369 | 269 | 1.00 | |
| 204-205 | 105 | 0.50 | | 204-260 | 160 | 0.60 | | 204-315 | 215 | 0.80 | | 204-370 | 270 | 1.00 | |
| 204-206 | 106 | 0.50 | | 204-261 | 161 | 0.60 | | 204-316 | 216 | 0.80 | | 204-371 | 271 | 1.00 | |
| 204-207 | 107 | 0.50 | | 204-262 | 162 | 0.60 | | 204-317 | 217 | 0.80 | | 204-372 | 272 | 1.00 | |
| 204-208 | 108 | 0.50 | | 204-263 | 163 | 0.60 | | 204-318 | 218 | 0.80 | | 204-373 | 273 | 1.00 | |
| 204-209 | 109 | 0.50 | | 204-264 | 164 | 0.60 | | 204-319 | 219 | 0.80 | | 204-374 | 274 | 1.00 | |
| 204-210 | 110 | 0.50 | | 204-265 | 165 | 0.60 | | 204-320 | 220 | 0.80 | | 204-375 | 275 | 1.00 | |
| 204-211 | 111 | 0.50 | | 204-266 | 166 | 0.60 | | 204-321 | 221 | 0.80 | | 204-376 | 276 | 1.00 | |
| 204-212 | 112 | 0.50 | | 204-267 | 167 | 0.60 | | 204-322 | 222 | 0.80 | | 204-377 | 277 | 1.00 | |
| 204-213 | 113 | 0.50 | | 204-268 | 168 | 0.60 | | 204-323 | 223 | 0.80 | | 204-378 | 278 | 1.00 | |
| 204-214 | 114 | 0.50 | | 204-269 | 169 | 0.60 | | 204-324 | 224 | 0.80 | | 204-379 | 279 | 1.00 | |
| 204-215 | 115 | 0.50 | | 204-270 | 170 | 0.60 | | 204-325 | 225 | 0.80 | | 204-380 | 280 | 1.00 | |
| 204-216 | 116 | 0.50 | | 204-271 | 171 | 0.60 | | 204-326 | 226 | 0.80 | | 204-381 | 281 | 1.00 | |
| 204-217 | 117 | 0.50 | | 204-272 | 172 | 0.60 | | 204-327 | 227 | 0.80 | | 204-382 | 282 | 1.00 | |
| 204-218 | 118 | 0.50 | | 204-273 | 173 | 0.60 | | 204-328 | 228 | 0.80 | | 204-383 | 283 | 1.00 | |
| 204-219 | 119 | 0.50 | | 204-274 | 174 | 0.60 | | 204-329 | 229 | 0.80 | | 204-384 | 284 | 1.00 | |
| 204-220 | 120 | 0.50 | | 204-275 | 175 | 0.60 | | 204-330 | 230 | 0.80 | | 204-385 | 285 | 1.00 | |
| 204-221 | 121 | 0.60 | | 204-276 | 176 | 0.60 | | 204-331 | 231 | 0.80 | | 204-386 | 286 | 1.00 | |
| 204-222 | 122 | 0.60 | | 204-277 | 177 | 0.60 | | 204-332 | 232 | 0.80 | | 204-387 | 287 | 1.00 | |
| 204-223 | 123 | 0.60 | | 204-278 | 178 | 0.60 | | 204-333 | 233 | 0.80 | | 204-388 | 288 | 1.00 | |
| 204-224 | 124 | 0.60 | 204-279 | 179 | 0.60 | 204-334 | 234 | 0.80 | 204-389 | 289 | 1.00 | | | | |

All dimensions in mm unless stated otherwise.

Items marked * are suitable for dynamic applications.

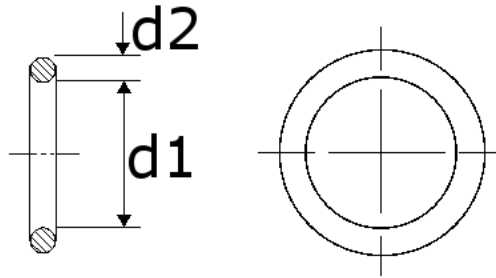


Ordering Reference

Code = Internal Dia (d1) – Cross Section Dia (d2)

e.g. d1=3mm d2=1.5mm : code=003-15
d2=231mm d2=5.0mm : code=231-50

When ordering please specify material.



| Dowty Ref | d1 | Tol on d1 +/- | d2 | Dowty Ref | d1 | Tol on d1 +/- | d2 | Dowty Ref | d1 | Tol on d1 +/- | d2 | Dowty Ref | d1 | Tol on d1 +/- | d2 |
|-----------|-----|---------------|---------|-----------|------|---------------|-----|-----------|----------|---------------|------|-----------|-----|---------------|----|
| 204-390 | 290 | 1.00 | | 204-445 | 345 | 1.50 | | 204-500 | 400 | 1.50 | | 204-555 | 455 | 2.00 | |
| 204-391 | 291 | 1.00 | | 204-446 | 346 | 1.50 | | 204-501 | 401 | 2.00 | | 204-556 | 456 | 2.00 | |
| 204-392 | 292 | 1.00 | | 204-447 | 347 | 1.50 | | 204-502 | 402 | 2.00 | | 204-557 | 457 | 2.00 | |
| 204-393 | 293 | 1.00 | | 204-448 | 348 | 1.50 | | 204-503 | 403 | 2.00 | | 204-558 | 458 | 2.00 | |
| 204-394 | 294 | 1.00 | 204-449 | 349 | 1.50 | 204-504 | 404 | 2.00 | 204-559 | 459 | 2.00 | | | | |
| 204-395 | 295 | 1.00 | 204-450 | 350 | 1.50 | 204-505 | 405 | 2.00 | 204-560 | 460 | 2.00 | | | | |
| 204-396 | 296 | 1.00 | 204-451 | 351 | 1.50 | 204-506 | 406 | 2.00 | 204-561 | 461 | 2.00 | | | | |
| 204-397 | 297 | 1.00 | 204-452 | 352 | 1.50 | 204-507 | 407 | 2.00 | 204-562 | 462 | 2.00 | | | | |
| 204-398 | 298 | 1.00 | 204-453 | 353 | 1.50 | 204-508 | 408 | 2.00 | 204-563 | 463 | 2.00 | | | | |
| 204-399 | 299 | 1.00 | 204-454 | 354 | 1.50 | 204-509 | 409 | 2.00 | 204-564 | 464 | 2.00 | | | | |
| 204-400 | 300 | 1.00 | 204-455 | 355 | 1.50 | 204-510 | 410 | 2.00 | 204-565 | 465 | 2.00 | | | | |
| 204-401 | 301 | 1.50 | 204-456 | 356 | 1.50 | 204-511 | 411 | 2.00 | 204-566 | 466 | 2.00 | | | | |
| 204-402 | 301 | 1.50 | 204-457 | 357 | 1.50 | 204-512 | 412 | 2.00 | 204-567 | 467 | 2.00 | | | | |
| 204-403 | 303 | 1.50 | 204-458 | 358 | 1.50 | 204-513 | 413 | 2.00 | 204-568 | 468 | 2.00 | | | | |
| 204-404 | 304 | 1.50 | 204-459 | 359 | 1.50 | 204-514 | 414 | 2.00 | 204-569 | 469 | 2.00 | | | | |
| 204-405 | 305 | 1.50 | 204-460 | 360 | 1.50 | 204-515 | 415 | 2.00 | 204-570 | 470 | 2.00 | | | | |
| 204-406 | 306 | 1.50 | 204-461 | 361 | 1.50 | 204-516 | 416 | 2.00 | 204-571 | 471 | 2.00 | | | | |
| 204-407 | 307 | 1.50 | 204-462 | 362 | 1.50 | 204-517 | 417 | 2.00 | 204-572 | 472 | 2.00 | | | | |
| 204-408 | 308 | 1.50 | 204-463 | 363 | 1.50 | 204-518 | 418 | 2.00 | 204-573 | 473 | 2.00 | | | | |
| 204-409 | 309 | 1.50 | 204-464 | 364 | 1.50 | 204-519 | 419 | 2.00 | 204-574 | 474 | 2.00 | | | | |
| 204-410 | 310 | 1.50 | 204-465 | 365 | 1.50 | 204-520 | 420 | 2.00 | 204-575 | 475 | 2.00 | | | | |
| 204-411 | 311 | 1.50 | 204-466 | 366 | 1.50 | 204-521 | 421 | 2.00 | 204-576 | 476 | 2.00 | | | | |
| 204-412 | 312 | 1.50 | 204-467 | 367 | 1.50 | 204-522 | 422 | 2.00 | 204-577 | 477 | 2.00 | | | | |
| 204-413 | 313 | 1.50 | 204-468 | 368 | 1.50 | 204-523 | 423 | 2.00 | 204-578 | 478 | 2.00 | | | | |
| 204-414 | 314 | 1.50 | 204-469 | 369 | 1.50 | 204-524 | 424 | 2.00 | 204-579 | 479 | 2.00 | | | | |
| 204-415 | 315 | 1.50 | 204-470 | 370 | 1.50 | 204-525 | 425 | 2.00 | 204-580 | 480 | 2.00 | | | | |
| 204-416 | 316 | 1.50 | 204-471 | 371 | 1.50 | 204-526 | 426 | 2.00 | 204-581 | 481 | 2.00 | | | | |
| 204-417 | 317 | 1.50 | 204-472 | 372 | 1.50 | 204-527 | 427 | 2.00 | 204-582 | 482 | 2.00 | | | | |
| 204-418 | 318 | 1.50 | 204-473 | 373 | 1.50 | 204-528 | 428 | 2.00 | 204-583 | 483 | 2.00 | | | | |
| 204-419 | 319 | 1.50 | 204-474 | 374 | 1.50 | 204-529 | 429 | 2.00 | 204-584 | 484 | 2.00 | | | | |
| 204-420 | 320 | 1.50 | 204-475 | 375 | 1.50 | 204-530 | 430 | 2.00 | 204-585 | 485 | 2.00 | | | | |
| 204-421 | 321 | 1.50 | 204-476 | 376 | 1.50 | 204-531 | 431 | 2.00 | 204-586 | 486 | 2.00 | | | | |
| 204-422 | 322 | 1.50 | 204-477 | 377 | 1.50 | 204-532 | 432 | 2.00 | 204-587 | 487 | 2.00 | | | | |
| 204-423 | 323 | 1.50 | 204-478 | 378 | 1.50 | 204-533 | 433 | 2.00 | 204-588 | 488 | 2.00 | | | | |
| 204-424 | 324 | 1.50 | 204-479 | 379 | 1.50 | 204-534 | 434 | 2.00 | 204-589 | 489 | 2.00 | | | | |
| 204-425 | 325 | 1.50 | 204-480 | 380 | 1.50 | 204-535 | 435 | 2.00 | 204-590 | 490 | 2.00 | | | | |
| 204-426 | 326 | 1.50 | 204-481 | 381 | 1.50 | 204-536 | 436 | 2.00 | 204-591 | 491 | 2.00 | | | | |
| 204-427 | 327 | 1.50 | 204-482 | 382 | 1.50 | 204-537 | 437 | 2.00 | 204-592 | 492 | 2.00 | | | | |
| 204-428 | 328 | 1.50 | 204-483 | 383 | 1.50 | 204-538 | 438 | 2.00 | 204-593 | 493 | 2.00 | | | | |
| 204-429 | 329 | 1.50 | 204-484 | 384 | 1.50 | 204-539 | 439 | 2.00 | 204-594 | 494 | 2.00 | | | | |
| 204-430 | 330 | 1.50 | 204-485 | 385 | 1.00 | 204-540 | 440 | 2.00 | 204-595 | 495 | 2.00 | | | | |
| 204-431 | 331 | 1.50 | 204-486 | 386 | 1.00 | 204-541 | 441 | 2.00 | 204-596 | 496 | 2.00 | | | | |
| 204-432 | 332 | 1.50 | 204-487 | 387 | 1.00 | 204-542 | 442 | 2.00 | 204-597 | 497 | 2.00 | | | | |
| 204-433 | 333 | 1.50 | 204-488 | 388 | 1.00 | 204-543 | 443 | 2.00 | 204-598 | 498 | 2.00 | | | | |
| 204-434 | 334 | 1.50 | 204-489 | 389 | 1.00 | 204-544 | 444 | 2.00 | 204-599 | 499 | 2.00 | | | | |
| 204-435 | 335 | 1.50 | 204-490 | 390 | 1.50 | 204-545 | 445 | 2.00 | 204-600 | 500 | 2.00 | | | | |
| 204-436 | 336 | 1.50 | 204-491 | 391 | 1.50 | 204-546 | 446 | 2.00 | | | | | | | |
| 204-437 | 337 | 1.50 | 204-492 | 392 | 1.50 | 204-547 | 447 | 2.00 | | | | | | | |
| 204-438 | 338 | 1.50 | 204-493 | 393 | 1.50 | 204-548 | 448 | 2.00 | 204-604* | 4 | 0.15 | | | | |
| 204-439 | 339 | 1.50 | 204-494 | 394 | 1.50 | 204-549 | 449 | 2.00 | 204-605* | 5 | 0.15 | | | | |
| 204-440 | 340 | 1.50 | 204-495 | 395 | 1.50 | 204-550 | 450 | 2.00 | 204-606* | 6 | 0.15 | | | | |
| 204-441 | 341 | 1.50 | 204-496 | 396 | 1.50 | 204-551 | 451 | 2.00 | 204-607* | 7 | 0.15 | | | | |
| 204-442 | 342 | 1.50 | 204-497 | 397 | 1.50 | 204-552 | 452 | 2.00 | 204-608* | 8 | 0.15 | | | | |
| 204-443 | 343 | 1.50 | 204-498 | 398 | 1.50 | 204-553 | 453 | 2.00 | 204-609* | 9 | 0.15 | | | | |
| 204-444 | 344 | 1.50 | 204-499 | 399 | 1.50 | 204-554 | 454 | 2.00 | 204-610* | 10 | 0.15 | | | | |

All dimensions in mm unless stated otherwise.

Items marked * are suitable for dynamic applications.

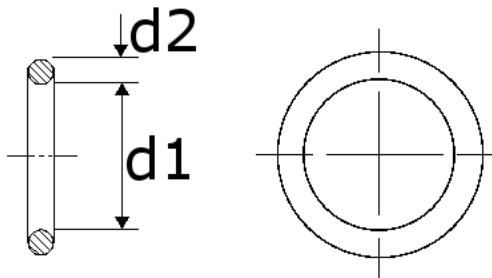
O-Rings: European (German) Metric Range (cont.)



Ordering Reference

Code = Internal Dia (d1) – Cross Section Dia (d2)
 e.g. d1=3mm d2=1.5mm : code=003-15
 d2=231mm d2=5.0mm : code=231-50

When ordering please specify material.



| Dowty Ref | d1 | Tol on d1 +/- | d2 | Dowty Ref | d1 | Tol on d1 +/- | d2 | Dowty Ref | d1 | Tol on d1 +/- | d2 | Dowty Ref | d1 | Tol on d1 +/- | d2 |
|-----------|----|---------------|-----------------|-----------|------|---------------|-----------------|-----------|---------|---------------|-----------------|-----------|-----|---------------|-----------------|
| 204-611* | 11 | 0.20 | 5.0 +/- 0.12 | 204-666* | 66 | 0.40 | 5.0 +/- 0.12 | 204-721 | 121 | 0.60 | 5.0 +/- 0.12 | 204-776 | 176 | 0.60 | 5.0 +/- 0.12 |
| 204-612* | 12 | 0.20 | | 204-667* | 67 | 0.40 | | 204-722 | 122 | 0.60 | | 204-777 | 177 | 0.60 | |
| 204-613* | 13 | 0.20 | | 204-668* | 68 | 0.40 | | 204-723 | 123 | 0.60 | | 204-778 | 178 | 0.60 | |
| 204-614* | 14 | 0.20 | | 204-669* | 69 | 0.40 | | 204-724 | 124 | 0.60 | | 204-779 | 179 | 0.60 | |
| 204-615* | 15 | 0.20 | | 204-670* | 70 | 0.40 | | 204-725 | 125 | 0.60 | | 204-780 | 180 | 0.60 | |
| 204-616* | 16 | 0.20 | | 204-671* | 71 | 0.40 | | 204-726 | 126 | 0.60 | | 204-781 | 181 | 0.80 | |
| 204-617* | 17 | 0.20 | | 204-672* | 72 | 0.40 | | 204-727 | 127 | 0.60 | | 204-782 | 182 | 0.80 | |
| 204-618* | 18 | 0.20 | | 204-673* | 73 | 0.40 | | 204-728 | 128 | 0.60 | | 204-783 | 183 | 0.80 | |
| 204-619* | 19 | 0.25 | | 204-674* | 74 | 0.40 | | 204-729 | 129 | 0.60 | | 204-784 | 184 | 0.80 | |
| 204-620* | 20 | 0.25 | | 204-675* | 75 | 0.40 | | 204-730 | 130 | 0.60 | | 204-785 | 185 | 0.80 | |
| 204-621* | 21 | 0.25 | | 204-676* | 76 | 0.40 | | 204-731 | 131 | 0.60 | | 204-786 | 186 | 0.80 | |
| 204-622* | 22 | 0.25 | | 204-677* | 77 | 0.40 | | 204-732 | 132 | 0.60 | | 204-787 | 187 | 0.80 | |
| 204-623* | 23 | 0.25 | | 204-678* | 78 | 0.40 | | 204-733 | 133 | 0.60 | | 204-788 | 188 | 0.80 | |
| 204-624* | 24 | 0.25 | | 204-679* | 79 | 0.40 | | 204-734 | 134 | 0.60 | | 204-789 | 189 | 0.80 | |
| 204-625* | 25 | 0.25 | | 204-680* | 80 | 0.40 | | 204-735 | 135 | 0.60 | | 204-790 | 190 | 0.80 | |
| 204-626* | 26 | 0.25 | 204-681* | 81 | 0.50 | 204-736 | 136 | 0.60 | 204-791 | 191 | 0.80 | | | | |
| 204-627* | 27 | 0.25 | 204-682* | 82 | 0.50 | 204-737 | 137 | 0.60 | 204-792 | 192 | 0.80 | | | | |
| 204-628* | 28 | 0.25 | 204-683* | 83 | 0.50 | 204-738 | 138 | 0.60 | 204-793 | 193 | 0.80 | | | | |
| 204-629* | 29 | 0.25 | 204-684* | 84 | 0.50 | 204-739 | 139 | 0.60 | 204-794 | 194 | 0.80 | | | | |
| 204-630* | 30 | 0.25 | 204-685* | 85 | 0.50 | 204-740 | 140 | 0.60 | 204-795 | 195 | 0.80 | | | | |
| 204-631* | 31 | 0.30 | 204-686* | 86 | 0.50 | 204-741 | 141 | 0.60 | 204-796 | 196 | 0.80 | | | | |
| 204-632* | 32 | 0.30 | 204-687* | 87 | 0.50 | 204-742 | 142 | 0.60 | 204-797 | 197 | 0.80 | | | | |
| 204-633* | 33 | 0.30 | 204-688* | 88 | 0.50 | 204-743 | 143 | 0.60 | 204-798 | 198 | 0.80 | | | | |
| 204-634* | 34 | 0.30 | 204-689* | 89 | 0.50 | 204-744 | 144 | 0.60 | 204-799 | 199 | 0.80 | | | | |
| 204-635* | 35 | 0.30 | 204-690* | 90 | 0.50 | 204-745 | 145 | 0.60 | 204-800 | 200 | 0.80 | | | | |
| 204-636* | 36 | 0.30 | 204-691* | 91 | 0.50 | 204-746 | 146 | 0.60 | 204-801 | 201 | 0.80 | | | | |
| 204-637* | 37 | 0.30 | 204-692* | 92 | 0.50 | 204-747 | 147 | 0.60 | 204-802 | 202 | 0.80 | | | | |
| 204-638* | 38 | 0.30 | 204-693* | 93 | 0.50 | 204-748 | 148 | 0.60 | 204-803 | 203 | 0.80 | | | | |
| 204-639* | 39 | 0.30 | 204-694* | 94 | 0.50 | 204-749 | 149 | 0.60 | 204-804 | 204 | 0.80 | | | | |
| 204-640* | 40 | 0.30 | 204-695* | 95 | 0.50 | 204-750 | 150 | 0.60 | 204-805 | 205 | 0.80 | | | | |
| 204-641* | 41 | 0.30 | 204-696* | 96 | 0.50 | 204-751 | 151 | 0.60 | 204-806 | 206 | 0.80 | | | | |
| 204-642* | 42 | 0.30 | 204-697* | 97 | 0.50 | 204-752 | 152 | 0.60 | 204-807 | 207 | 0.80 | | | | |
| 204-643* | 43 | 0.30 | 204-698* | 98 | 0.50 | 204-753 | 153 | 0.60 | 204-808 | 208 | 0.80 | | | | |
| 204-644* | 44 | 0.30 | 204-699* | 99 | 0.50 | 204-754 | 154 | 0.60 | 204-809 | 209 | 0.80 | | | | |
| 204-645* | 45 | 0.30 | 204-700* | 100 | 0.50 | 204-755 | 155 | 0.60 | 204-810 | 210 | 0.80 | | | | |
| 204-646* | 46 | 0.30 | 204-701* | 101 | 0.50 | 204-756 | 156 | 0.60 | 204-811 | 211 | 0.80 | | | | |
| 204-647* | 47 | 0.30 | 204-702* | 102 | 0.50 | 204-757 | 157 | 0.60 | 204-812 | 212 | 0.80 | | | | |
| 204-648* | 48 | 0.30 | 204-703* | 103 | 0.50 | 204-758 | 158 | 0.60 | 204-813 | 213 | 0.80 | | | | |
| 204-649* | 49 | 0.30 | 204-704* | 104 | 0.50 | 204-759 | 159 | 0.60 | 204-814 | 214 | 0.80 | | | | |
| 204-650* | 50 | 0.30 | 204-705* | 105 | 0.50 | 204-760 | 160 | 0.60 | 204-815 | 215 | 0.80 | | | | |
| 204-651* | 51 | 0.40 | 204-706* | 106 | 0.50 | 204-761 | 161 | 0.60 | 204-816 | 216 | 0.80 | | | | |
| 204-652* | 52 | 0.40 | 204-707* | 107 | 0.50 | 204-762 | 162 | 0.60 | 204-817 | 217 | 0.80 | | | | |
| 204-653* | 53 | 0.40 | 204-708* | 108 | 0.50 | 204-763 | 163 | 0.60 | 204-818 | 218 | 0.80 | | | | |
| 204-654* | 54 | 0.40 | 204-709* | 109 | 0.50 | 204-764 | 164 | 0.60 | 204-819 | 219 | 0.80 | | | | |
| 204-655* | 55 | 0.40 | 204-710* | 110 | 0.50 | 204-765 | 165 | 0.60 | 204-820 | 220 | 0.80 | | | | |
| 204-656* | 56 | 0.40 | 204-711* | 111 | 0.50 | 204-766 | 166 | 0.60 | 204-821 | 221 | 0.80 | | | | |
| 204-657* | 57 | 0.40 | 204-712* | 112 | 0.50 | 204-767 | 167 | 0.60 | 204-822 | 222 | 0.80 | | | | |
| 204-658* | 58 | 0.40 | 204-713* | 113 | 0.50 | 204-768 | 168 | 0.60 | 204-823 | 223 | 0.80 | | | | |
| 204-659* | 59 | 0.40 | 204-714* | 114 | 0.50 | 204-769 | 169 | 0.60 | 204-824 | 224 | 0.80 | | | | |
| 204-660* | 60 | 0.40 | 204-715* | 115 | 0.50 | 204-770 | 170 | 0.60 | 204-825 | 225 | 0.80 | | | | |
| 204-661* | 61 | 0.40 | 204-716* | 116 | 0.50 | 204-771 | 171 | 0.60 | 204-826 | 226 | 0.80 | | | | |
| 204-662* | 62 | 0.40 | 204-717* | 117 | 0.50 | 204-772 | 172 | 0.60 | 204-827 | 227 | 0.80 | | | | |
| 204-663* | 63 | 0.40 | 204-718* | 118 | 0.50 | 204-773 | 173 | 0.60 | 204-828 | 228 | 0.80 | | | | |
| 204-664* | 64 | 0.40 | 204-719* | 119 | 0.50 | 204-774 | 174 | 0.60 | 204-829 | 229 | 0.80 | | | | |
| 204-665* | 65 | 0.40 | 204-720* | 120 | 0.50 | 204-775 | 175 | 0.60 | 204-830 | 230 | 0.80 | | | | |

All dimensions in mm unless stated otherwise.

Items marked * are suitable for dynamic applications.

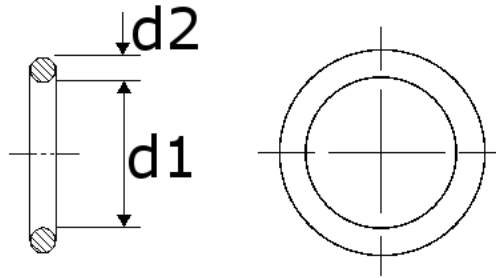


Ordering Reference

Code = Internal Dia (d1) – Cross Section Dia (d2)

e.g. d1=3mm d2=1.5mm : code=003-15
d2=231mm d2=5.0mm : code=231-50

When ordering please specify material.



| Dowty Ref | d1 | Tol on d1 +/- | d2 | Dowty Ref | d1 | Tol on d1 +/- | d2 | Dowty Ref | d1 | Tol on d1 +/- | d2 | Dowty Ref | d1 | Tol on d1 +/- | d2 |
|-----------|-----|---------------|---------|-----------|------|---------------|-----|-----------|-----|---------------|----|-----------|-----|---------------|----|
| 204-831 | 231 | 0.80 | | 204-886 | 286 | 1.00 | | 204-941 | 341 | 1.50 | | 204-996 | 396 | 1.50 | |
| 204-832 | 232 | 0.80 | | 204-887 | 287 | 1.00 | | 204-942 | 342 | 1.50 | | 204-997 | 397 | 1.50 | |
| 204-833 | 233 | 0.80 | | 204-888 | 288 | 1.00 | | 204-943 | 343 | 1.50 | | 204-998 | 398 | 1.50 | |
| 204-834 | 234 | 0.80 | | 204-889 | 289 | 1.00 | | 204-944 | 344 | 1.50 | | 204-999 | 399 | 1.50 | |
| 204-835 | 235 | 0.80 | | 204-890 | 290 | 1.00 | | 204-945 | 345 | 1.50 | | | | | |
| 204-836 | 236 | 0.80 | | 204-891 | 291 | 1.00 | | 204-946 | 346 | 1.50 | | | | | |
| 204-837 | 237 | 0.80 | | 204-892 | 292 | 1.00 | | 204-947 | 347 | 1.50 | | | | | |
| 204-838 | 238 | 0.80 | | 204-893 | 293 | 1.00 | | 204-948 | 348 | 1.50 | | | | | |
| 204-839 | 239 | 0.80 | | 204-894 | 294 | 1.00 | | 204-949 | 349 | 1.50 | | | | | |
| 204-840 | 240 | 0.80 | | 204-895 | 295 | 1.00 | | 204-950 | 350 | 1.50 | | | | | |
| 204-841 | 241 | 0.80 | 204-896 | 296 | 1.00 | 204-951 | 351 | 1.50 | | | | | | | |
| 204-842 | 242 | 0.80 | 204-897 | 297 | 1.00 | 204-952 | 352 | 1.50 | | | | | | | |
| 204-843 | 243 | 0.80 | 204-898 | 298 | 1.00 | 204-953 | 353 | 1.50 | | | | | | | |
| 204-844 | 244 | 0.80 | 204-899 | 299 | 1.00 | 204-954 | 354 | 1.50 | | | | | | | |
| 204-845 | 245 | 0.80 | 204-900 | 300 | 1.00 | 204-955 | 355 | 1.50 | | | | | | | |
| 204-846 | 246 | 0.80 | 204-901 | 301 | 1.50 | 204-956 | 356 | 1.50 | | | | | | | |
| 204-847 | 247 | 0.80 | 204-902 | 302 | 1.50 | 204-957 | 357 | 1.50 | | | | | | | |
| 204-848 | 248 | 0.80 | 204-903 | 303 | 1.50 | 204-958 | 358 | 1.50 | | | | | | | |
| 204-849 | 249 | 0.80 | 204-904 | 304 | 1.50 | 204-959 | 359 | 1.50 | | | | | | | |
| 204-850 | 250 | 0.80 | 204-905 | 305 | 1.50 | 204-960 | 360 | 1.50 | | | | | | | |
| 204-851 | 251 | 1.00 | 204-906 | 306 | 1.50 | 204-961 | 361 | 1.50 | | | | | | | |
| 204-852 | 252 | 1.00 | 204-907 | 307 | 1.50 | 204-962 | 362 | 1.50 | | | | | | | |
| 204-853 | 253 | 1.00 | 204-908 | 308 | 1.50 | 204-963 | 363 | 1.50 | | | | | | | |
| 204-854 | 254 | 1.00 | 204-909 | 309 | 1.50 | 204-964 | 364 | 1.50 | | | | | | | |
| 204-855 | 255 | 1.00 | 204-910 | 310 | 1.50 | 204-965 | 365 | 1.50 | | | | | | | |
| 204-856 | 256 | 1.00 | 204-911 | 311 | 1.50 | 204-966 | 366 | 1.50 | | | | | | | |
| 204-857 | 257 | 1.00 | 204-912 | 312 | 1.50 | 204-967 | 367 | 1.50 | | | | | | | |
| 204-858 | 258 | 1.00 | 204-913 | 313 | 1.50 | 204-968 | 368 | 1.50 | | | | | | | |
| 204-859 | 259 | 1.00 | 204-914 | 314 | 1.50 | 204-969 | 369 | 1.50 | | | | | | | |
| 204-860 | 260 | 1.00 | 204-915 | 315 | 1.50 | 204-970 | 370 | 1.50 | | | | | | | |
| 204-861 | 261 | 1.00 | 204-916 | 316 | 1.50 | 204-971 | 371 | 1.50 | | | | | | | |
| 204-862 | 262 | 1.00 | 204-917 | 317 | 1.50 | 204-972 | 372 | 1.50 | | | | | | | |
| 204-863 | 263 | 1.00 | 204-918 | 318 | 1.50 | 204-973 | 373 | 1.50 | | | | | | | |
| 204-864 | 264 | 1.00 | 204-919 | 319 | 1.50 | 204-974 | 374 | 1.50 | | | | | | | |
| 204-865 | 265 | 1.00 | 204-920 | 320 | 1.50 | 204-975 | 375 | 1.50 | | | | | | | |
| 204-866 | 266 | 1.00 | 204-921 | 321 | 1.50 | 204-976 | 376 | 1.50 | | | | | | | |
| 204-867 | 267 | 1.00 | 204-922 | 322 | 1.50 | 204-977 | 377 | 1.50 | | | | | | | |
| 204-868 | 268 | 1.00 | 204-923 | 323 | 1.50 | 204-978 | 378 | 1.50 | | | | | | | |
| 204-869 | 269 | 1.00 | 204-924 | 324 | 1.50 | 204-979 | 379 | 1.50 | | | | | | | |
| 204-870 | 270 | 1.00 | 204-925 | 325 | 1.50 | 204-980 | 380 | 1.50 | | | | | | | |
| 204-871 | 271 | 1.00 | 204-926 | 326 | 1.50 | 204-981 | 381 | 1.50 | | | | | | | |
| 204-872 | 272 | 1.00 | 204-927 | 327 | 1.50 | 204-982 | 382 | 1.50 | | | | | | | |
| 204-873 | 273 | 1.00 | 204-928 | 328 | 1.50 | 204-983 | 383 | 1.50 | | | | | | | |
| 204-874 | 274 | 1.00 | 204-929 | 329 | 1.50 | 204-984 | 384 | 1.50 | | | | | | | |
| 204-875 | 275 | 1.00 | 204-930 | 330 | 1.50 | 204-985 | 385 | 1.50 | | | | | | | |
| 204-876 | 276 | 1.00 | 204-931 | 331 | 1.50 | 204-986 | 386 | 1.50 | | | | | | | |
| 204-877 | 277 | 1.00 | 204-932 | 332 | 1.50 | 204-987 | 387 | 1.50 | | | | | | | |
| 204-878 | 278 | 1.00 | 204-933 | 333 | 1.50 | 204-988 | 388 | 1.50 | | | | | | | |
| 204-879 | 279 | 1.00 | 204-934 | 334 | 1.50 | 204-989 | 389 | 1.50 | | | | | | | |
| 204-880 | 280 | 1.00 | 204-935 | 335 | 1.50 | 204-990 | 390 | 1.50 | | | | | | | |
| 204-881 | 281 | 1.00 | 204-936 | 336 | 1.50 | 204-991 | 391 | 1.50 | | | | | | | |
| 204-882 | 282 | 1.00 | 204-937 | 337 | 1.50 | 204-992 | 392 | 1.50 | | | | | | | |
| 204-883 | 283 | 1.00 | 204-938 | 338 | 1.50 | 204-993 | 393 | 1.50 | | | | | | | |
| 204-884 | 284 | 1.00 | 204-939 | 339 | 1.50 | 204-994 | 394 | 1.50 | | | | | | | |
| 204-885 | 285 | 1.00 | 204-940 | 340 | 1.50 | 204-995 | 395 | 1.50 | | | | | | | |

All dimensions in mm unless stated otherwise.

Items marked * are suitable for dynamic applications.