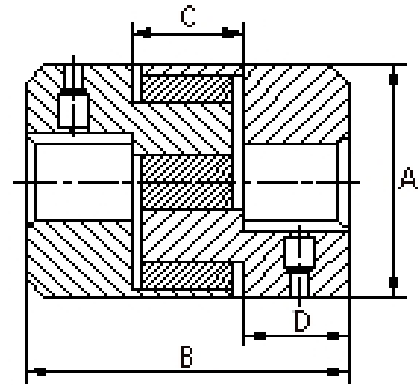




**Parallel Bore
Flexible Shaft Couplings
JAW Type**



Code	Min Bore	Max Bore	A	B*	C	D	Weight kg.	Rubber Insert	Hytrel Insert	Weight kg.
L050-S	6.35	15	27.4	43.7	11.9	15.9	0.22	yes	yes	0.02
L070-S	6.35	19	34.5	50.8	12.7	19.1	0.14	yes	yes	0.03
L075-S	6.35	22.2	44.5	54	12.7	20.6	0.23	yes	yes	0.07
L090-S	6.35	25.4	53.6	54	12.7	20.6	0.36	yes	yes	0.1
L095-S	11.1	28.6	53.6	63.5	12.7	25.4	0.4	yes	yes	0.1
L099-S	12.7	30.2	64.3	73	19.1	27	0.61	yes	yes	0.15
L100-S	12.7	35	64.3	89	19.1	34.9	0.81	yes	yes	0.15
L110-S	15.9	41.3	84.2	108	22.2	42.9	1.71	yes	yes	0.3
L150-S	15.9	47.6	95	114.5	25.4	44.5	2.28	yes	yes	0.63

All dimensions in mm unless specified

*Approximate overall length

Rubber, Hytrel and Urethane inserts available

If a dimension is critical to your application please contact our sales department for confirmation.

Please note : errors and omissions excepted.