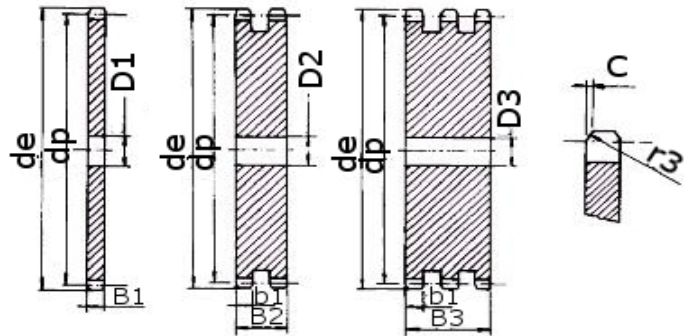




Platewheels A.S.A 35
3/8" x 3/16"
Steel no hub



No. Teeth	Outside Dia. de	Pitch Dia. dp	Simplex D1	Duplex D2
30	96	91.12	12	-
32	102.1	97.17	12	-
36	114.2	109.29	12	-
38	120.2	115.34	12	14
40	126.3	121.4	12	-
45	141.4	136.55	16	16
48	150.5	145.64	16	-
57	177.8	172.91	16	16
76	235.4	230.49	20	20

Tooth Radius r3 = 10

Radius size C = 1.2

Tooth width B1 = 4.4

Tooth width b1 = 4.3

Tooth width B2 = 14.4

All dimensions in mm

Intermediate sizes & special platewheels to drawing up to 1000mm diameter

Standard : to DIN 8187 ISO/R 606

Please note : All dimensions including bore sizes subject to change.

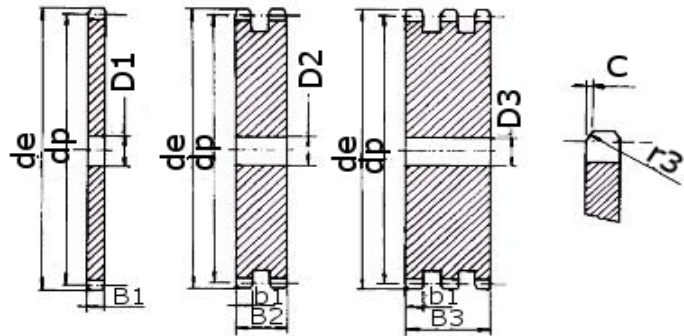
If a dimension is critical to your application please contact our sales department for more information

For special sprockets or reworked sprockets please contact our sales department.

Please note : errors and omissions excepted.



Platewheels A.S.A 40
1/2" x 5/16"
Steel no hub



No. Teeth	Outside Dia. de	Pitch Dia. dp	Simplex D1	Duplex D2	Triplex D3
19	83.72	77.16	10	-	-
30	128.06	121.5	20	-	-
32	136.13	129.57	16	-	-
38	160.35	153.79	20	25	-
40	168.43	161.87	20	-	-
42	176.5	169.94	20	-	-
45	188.62	182.06	20	20	25
48	200.74	194.18	20	-	-
57	237.1	230.54	20	25	25
64	271.12	260.62	25	-	-
76	313.88	307.32	25	25	25
95	390.67	384.11	25	-	-

Tooth Radius $r_3 = 13.5$

Radius size C = 1.6

Tooth width B1 = 7.4

Tooth width b1 = 7.2

Tooth width B2 = 21.6

Tooth width B3 = 36.0

All dimensions in mm

Intermediate sizes & special platewheels to drawing up to 1000mm diameter

Standard : to DIN 8187 ISO/R 606

Please note : All dimensions including bore sizes subject to change.

If a dimension is critical to your application please contact our sales department for more information

For special sprockets or reworked sprockets please contact our sales department.

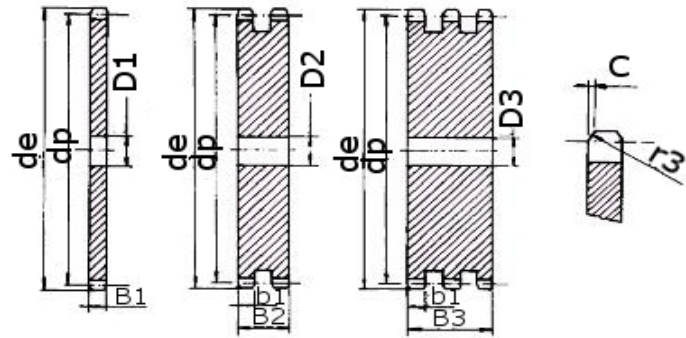
Please note : errors and omissions excepted.



Platewheels A.S.A 50

5/8" x 3/8"

Steel no hub



No. Teeth	Outside Diam. de	Pitch Diam. dp	Simplex D1	Duplex D2	Triplex D3
8	47	41.48	10	-	-
9	52.6	46.42	10	-	-
10	57.5	51.37	10	-	-
11	63	56.34	10	-	-
12	68	61.34	10	-	-
13	73	66.32	10	-	-
14	78	71.34	10	-	-
15	83	76.36	10	-	-
16	88	81.37	12	-	-
17	93	86.38	12	-	-
18	98.3	91.42	12	-	-
19	103.3	96.45	12	-	-
20	108.4	101.49	12	-	-
21	113.4	106.52	12	-	-
22	118	111.55	12	-	-
23	123.5	116.58	12	-	-
24	128.3	121.62	12	-	-
25	134	126.66	12	-	-
26	139	131.7	16	-	-
27	144	136.75	16	-	-
28	148.7	141.78	16	-	-
29	153.8	146.83	16	-	-
30	158.8	151.87	16	20	20
31	163.9	156.92	16	-	-
32	168.9	161.95	16	-	-
33	174.5	167	16	-	-
34	179	172.05	16	-	-
35	184.1	177.1	16	-	-
36	189.1	182.15	20	-	-
37	194.2	187.2	20	-	-
38	199.2	192.24	20	20	25
39	204.2	197.29	20	-	-
40	209.3	202.34	20	-	-
41	214.8	207.39	20	-	-
42	219.9	212.44	20	-	-
43	224.9	217.49	20	-	-

Tooth Radius $r_3 = 17$

Radius size C = 2

Tooth width $B_1 = 9$

Tooth width $b_1 = 8.8$

Tooth width $B_2 = 26.9$

Tooth width $B_3 = 45.0$

All dimensions in mm

Intermediate sizes & special platewheels to drawing up to 1000mm diameter

Standard : to DIN 8187 ISO/R 606

Please note : All dimensions including bore sizes subject to change.

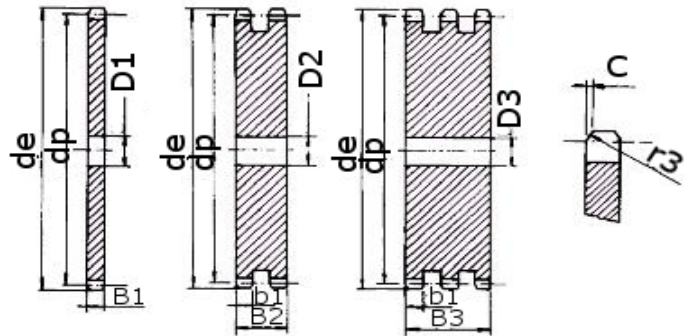
If a dimension is critical to your application please contact our sales department for more information

For special sprockets or reworked sprockets please contact our sales department.

Please note : errors and omissions excepted.



Platewheels A.S.A 50
5/8" x 3/8"
Steel no hub



No. Teeth	Outside Diam. de	Pitch Diam. dp	Simplex D1	Duplex D2	Triplex D3
44	230	222.53	20	-	-
45	235	227.58	20	20	25
46	240.1	232.63	20	-	-
47	245.1	237.68	20	-	-
48	250.2	242.73	20	-	-
49	255.2	247.78	20	-	-
50	260.3	252.82	20	-	-
51	265.3	257.87	20	-	-
52	270.4	262.92	20	-	-
53	275.4	267.97	20	-	-
54	280.5	273.03	20	-	-
55	285.5	278.08	20	-	-
56	290.6	283.13	25	-	-
57	296	288.18	25	25	25
58	300.7	293.23	25	-	-
59	305.7	298.27	25	-	-
60	310.8	303.32	25	-	-
62	321.4	313.43	25	-	-
64	331.5	323.53	25	-	-
65	336.5	328.58	25	-	-
66	341.6	333.63	25	-	-
68	351.7	343.74	25	-	-
70	361.8	353.84	25	-	-
72	371.9	363.95	25	-	-
75	387.1	379.09	25	-	-
76	392.1	384.16	25	25	30
78	402.2	394.25	25	-	-
80	412.3	404.35	25	-	-
85	437.6	429.62	30	-	-
90	462.8	454.88	30	-	-
95	488.5	480.14	30	30	-
100	513.4	505.39	30	-	-
110	563.9	555.92	30	-	-
114	584.1	576.13	30	-	-
120	614.4	606.45	30	-	-
125	639.7	631.51	30	-	-

Tooth Radius $r_3 = 17$
 Radius size $C = 2$
 Tooth width $B_1 = 9$
 Tooth width $b_1 = 8.8$
 Tooth width $B_2 = 26.9$
 Tooth width $B_3 = 45.0$

All dimensions in mm

Intermediate sizes & special platewheels to drawing up to 1000mm diameter

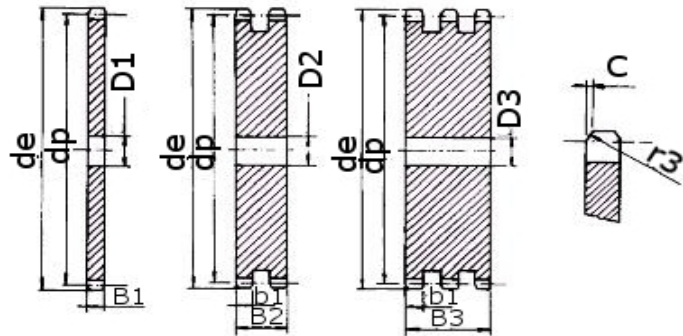
Standard : to DIN 8187 ISO/R 606

Please note : All dimensions including bore sizes subject to change.

If a dimension is critical to your application please contact our sales department for more information

For special sprockets or reworked sprockets please contact our sales department.

Please note : errors and omissions excepted.

**Platewheels A.S.A 60****3/4" x 1/2"****Steel no hub**

No. Teeth	Outside Diam. de	Pitch Diam. dp	Simplex D1	Duplex D2	Triplex D3
30	192.14	182.25	-	-	20
32	204.24	194.35	-	20	-
38	240.58	230.69	20	25	25
40	252.69	242.8	20	25	-
45	282.98	273.09	25	25	25
48	301.16	291.27	25	-	-
57	355.7	345.81	25	25	30
76	470.87	460.98	30	30	30
95	586.06	576.17	-	30	-

Tooth Radius $r_3 = 20$

Radius size C = 2.4

Tooth width $B_1 = 12$ Tooth width $b_1 = 11.8$ Tooth width $B_2 = 34.6$ Tooth width $B_3 = 57.4$

All dimensions in mm

Intermediate sizes & special platewheels to drawing up to 1000mm diameter

Standard : to DIN 8187 ISO/R 606

Please note : All dimensions including bore sizes subject to change.

If a dimension is critical to your application please contact our sales department for more information

For special sprockets or reworked sprockets please contact our sales department.

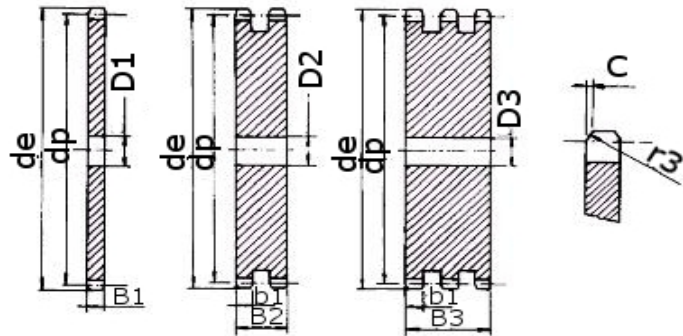
Please note : errors and omissions excepted.



Platewheels A.S.A 80

1" x 5/8"

Steel no hub



No. Teeth	Outside Dia. de	Pitch Dia. dp	Simplex D1	Duplex D2	Triplex D3
10	95.32	82.19	15	-	-
11	103.28	90.14	15	-	-
12	111.26	98.14	15	-	-
13	119.26	106.12	15	-	-
14	127.27	114.15	15	-	-
15	135.29	122.17	15	-	-
16	143.32	130.2	19	-	-
17	151.35	138.22	19	-	-
18	159.39	146.28	19	-	-
19	167.44	154.33	19	-	-
20	175.49	162.38	19	-	-
21	183.54	170.43	20	-	-
22	191.6	178.48	20	-	-
23	199.66	186.53	20	-	-
24	207.72	194.59	20	-	-
25	215.78	202.66	20	25	30
26	223.84	210.72	20	-	-
27	231.91	218.79	20	-	-
28	239.98	226.85	20	-	-
30	256.12	243	20	25	30
32	272.26	259.13	25	-	-
35	296.48	283.36	25	-	-
38	320.7	307.59	25	25	30
45	377.24	364.12	25	25	30
50	417.64	404.52	25	-	-
57	474.2	461.08	25	25	40
76	627.8	614.64	25	25	40

Tooth Radius r3 = 27

Radius size C = 3.2

Tooth width B1 = 15

Tooth width b1 = 14.7

Tooth width B2 = 44.0

Tooth width B3 = 73.3

All dimensions in mm

Intermediate sizes & special platewheels to drawing up to 1000mm diameter

Standard : to DIN 8187 ISO/R 606

Please note : All dimensions including bore sizes subject to change.

If a dimension is critical to your application please contact our sales department for more information

For special sprockets or reworked sprockets please contact our sales department.

Please note : errors and omissions excepted.